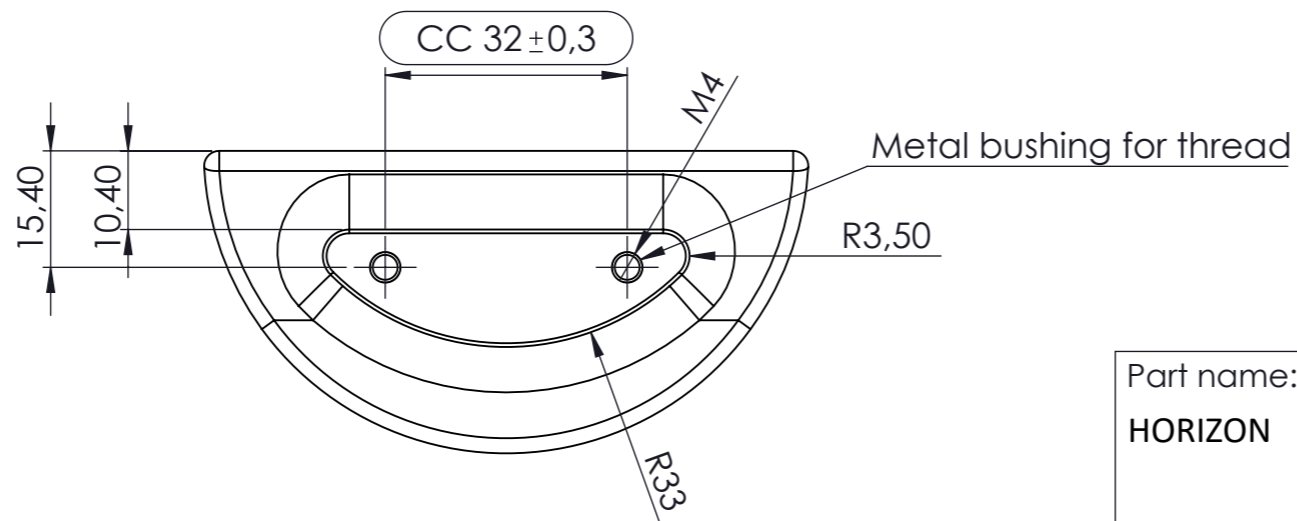
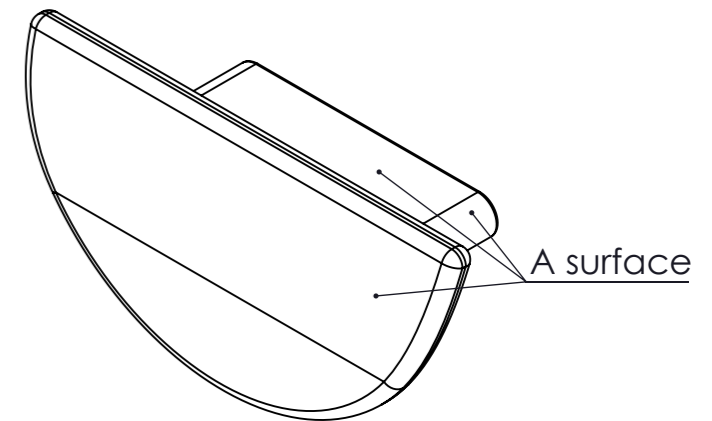


SECTION A-A



Part name: <b>HORIZON</b>	Projection: 	Sheet format: <b>A3</b>	Tolerance unless otherwise specified DS/ISO 2768-1M Linear dimensions:																				
Designer: Adam Laws	Drawn by: MLR 29-08-2022	Scale: 1:1																					
Part no.: <b>104220032</b>	Sheet 1 of 1	<table border="1"> <tr> <td></td> <td>0-3</td> <td>3-6</td> <td>6-30</td> <td>30-120</td> <td>120-400</td> <td>400-1000</td> <td>1000-2000</td> </tr> <tr> <td></td> <td>±0,1</td> <td>±0,1</td> <td>±0,2</td> <td>±0,3</td> <td>±0,5</td> <td>±0,8</td> <td>±1,2</td> </tr> </table>			0-3	3-6	6-30	30-120	120-400	400-1000	1000-2000		±0,1	±0,1	±0,2	±0,3	±0,5	±0,8	±1,2				
	0-3	3-6	6-30	30-120	120-400	400-1000	1000-2000																
	±0,1	±0,1	±0,2	±0,3	±0,5	±0,8	±1,2																
Material: Wood	Weight:	<table border="1"> <tr> <td></td> <td>Angle</td> <td>Radius</td> <td></td> </tr> <tr> <td></td> <td>±0,5°</td> <td>±5%</td> <td></td> </tr> </table>			Angle	Radius			±0,5°	±5%													
	Angle	Radius																					
	±0,5°	±5%																					
<table border="1"> <thead> <tr> <th>Rev.:</th> <th>Date:</th> <th>Name:</th> <th>Description:</th> </tr> </thead> <tbody> <tr><td> </td><td> </td><td> </td><td> </td></tr> <tr><td> </td><td> </td><td> </td><td> </td></tr> <tr><td> </td><td> </td><td> </td><td> </td></tr> <tr><td> </td><td> </td><td> </td><td> </td></tr> </tbody> </table>		Rev.:	Date:	Name:	Description:																	<p>Delta 2 Phone: +45 87 64 35 00 DK-8382 Hinnerup E-mail: fp@furnipart.com</p>	
Rev.:	Date:	Name:	Description:																				
COPYRIGHT: THIS DRAWING MAY NOT BE COPIED OR REPRODUCED IN ANY WAY WITHOUT DIRECT PERMISSION FROM FURNIPART A/S																							