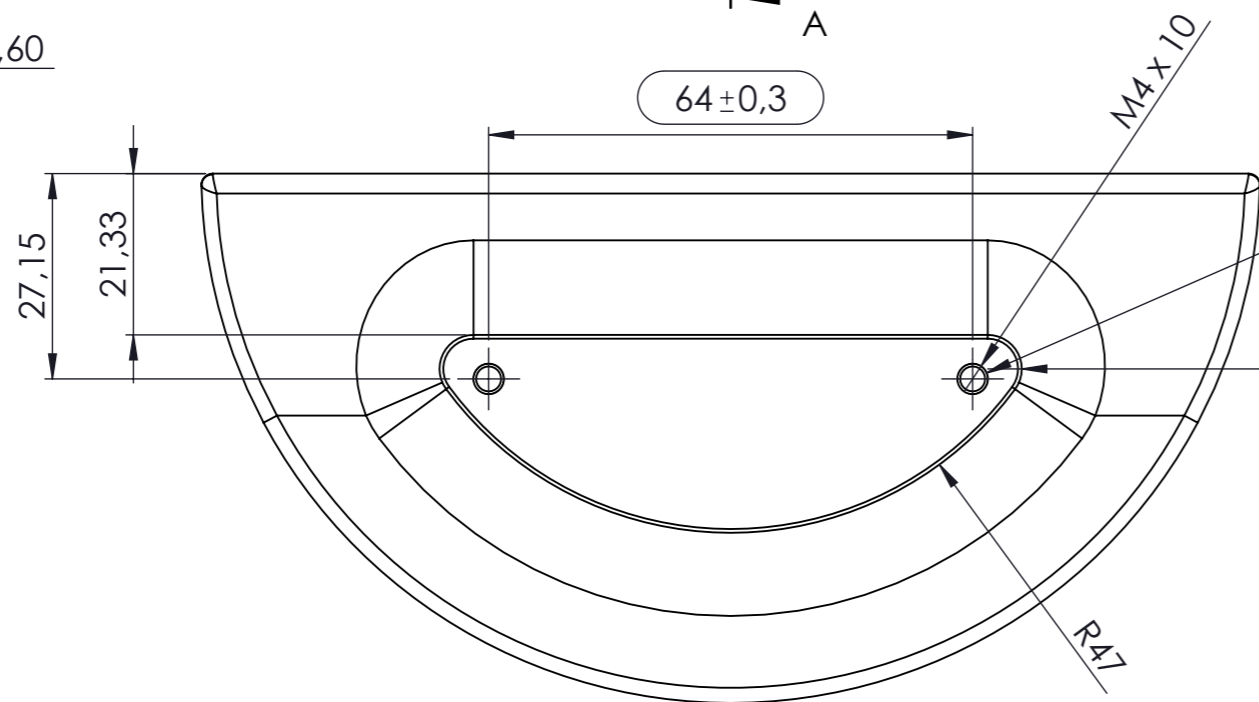
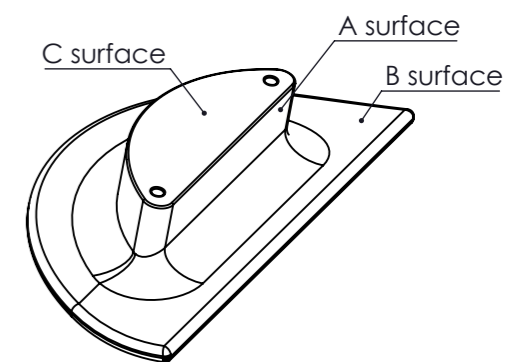


SECTION A-A



Part name: <b>HORIZON</b>	Projection: 	Sheet format: <b>A3</b>	Tolerance unless otherwise specified DS/ISO 2768-1M																					
		Scale: <b>1:1</b>	<table border="1"> <tr> <td>Linear dimensions:</td> <td>0-3</td> <td>3-6</td> <td>6-30</td> <td>30-120</td> <td>120-400</td> <td>400-1000</td> <td>1000-2000</td> </tr> <tr> <td></td> <td>±0,1</td> <td>±0,1</td> <td>±0,2</td> <td>±0,3</td> <td>±0,5</td> <td>±0,8</td> <td>±1,2</td> </tr> </table>							Linear dimensions:	0-3	3-6	6-30	30-120	120-400	400-1000	1000-2000		±0,1	±0,1	±0,2	±0,3	±0,5	±0,8
Linear dimensions:	0-3	3-6	6-30	30-120	120-400	400-1000	1000-2000																	
	±0,1	±0,1	±0,2	±0,3	±0,5	±0,8	±1,2																	
Designer: Adam Laws	Drawn by: MLR 31-08-2022	<table border="1"> <tr> <td>Angle</td> <td>Radius</td> <td></td> <td></td> <td></td> <td></td> <td></td> <td></td> </tr> <tr> <td>±0,5°</td> <td>±5%</td> <td></td> <td></td> <td></td> <td></td> <td></td> <td></td> </tr> </table>							Angle	Radius							±0,5°	±5%						
Angle	Radius																							
±0,5°	±5%																							
Part no.: <b>104220064</b>	Sheet 1 of 1	<p><b>furnipart</b><sup>®</sup></p> <p>Delta 2 Phone: +45 87 64 35 00 DK-8382 Hinnerup E-mail: fp@furnipart.com</p>																						
Material: Wood	Weight:																							

Rev.:	Date:	Name:	Description: