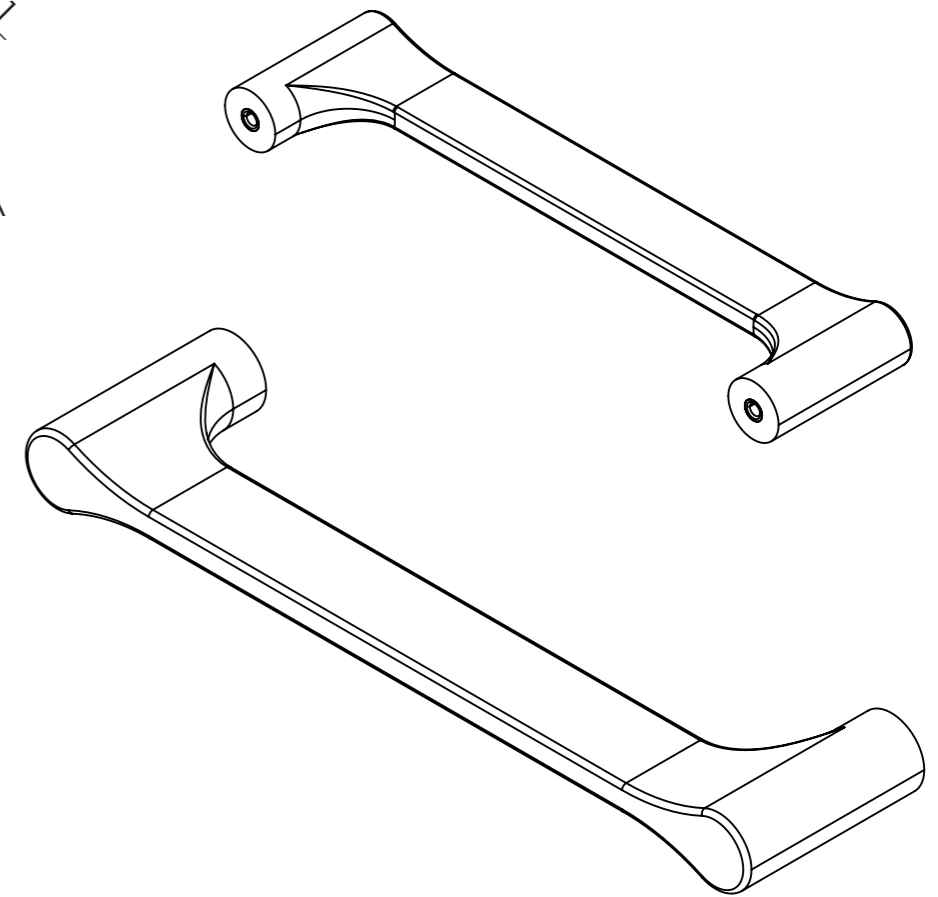
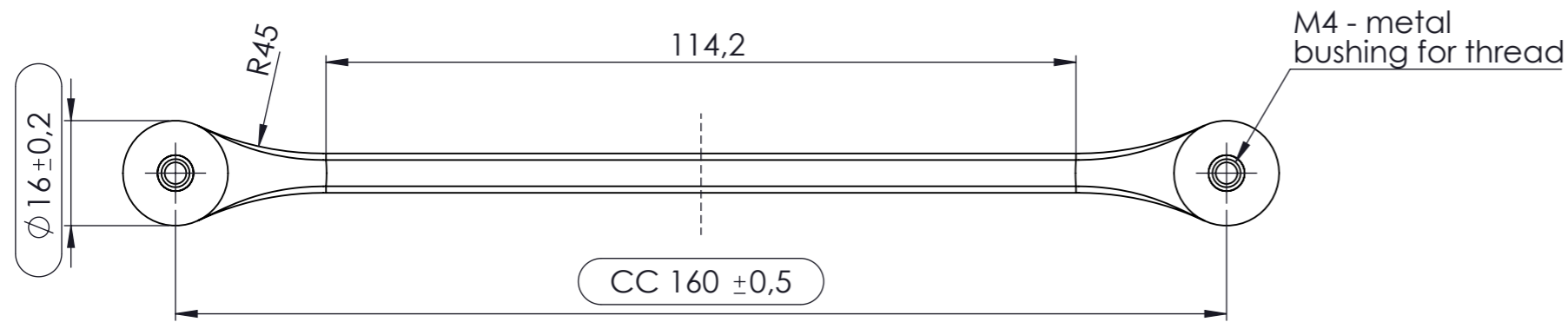


SECTION A-A



Item no.	Length	CC
107820128	178	128
107820160	210	160
107820224	240	224

Rev.:	Date:	Name:	Description:

Part name: DROPS	Projection: 	Sheet format: A3	Tolerance unless otherwise specified DS/ISO 2768-1M Linear dimensions: 0-3 ±0,1 3-6 ±0,1 6-30 ±0,2 30-120 ±0,3 120-400 ±0,5 400-1000 ±0,8 1000-2000 ±1,2
Designer:	Drawn by: MLR 05-07-2023	Scale: 1:1	
Part no.: 107820xxx	Material: Wood	Sheet 1 of 1	Angle: ±0,5° Radius: ±5%
Material: Wood		Weight:	furnipart® Delta 2 Phone: +45 87 64 35 00 DK-8382 Hinnerup E-mail: fp@furnipart.com
COPYRIGHT: THIS DRAWING MAY NOT BE COPIED OR REPRODUCED IN ANY WAY WITHOUT DIRECT PERMISSION FROM FURNIPART A/S			