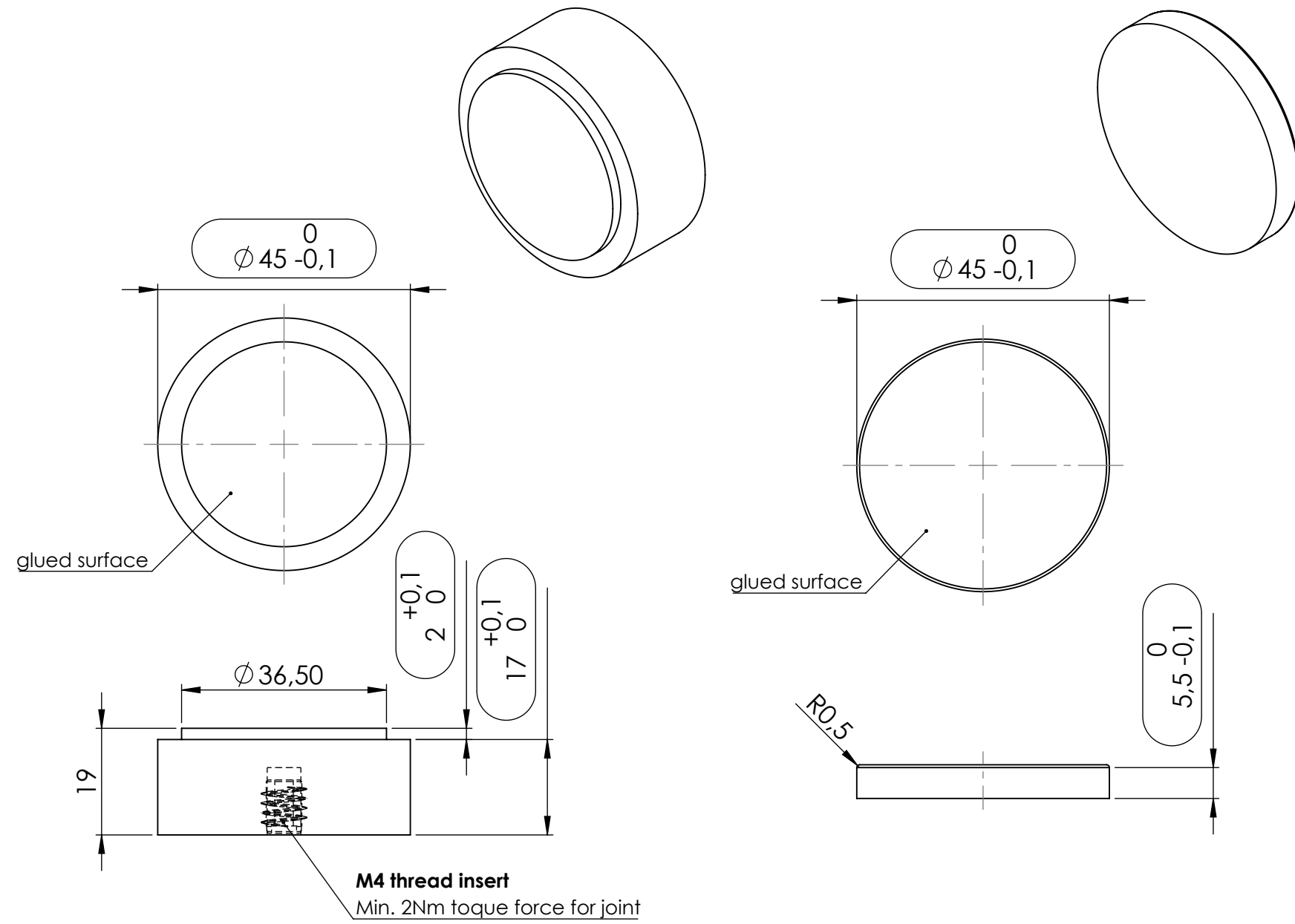


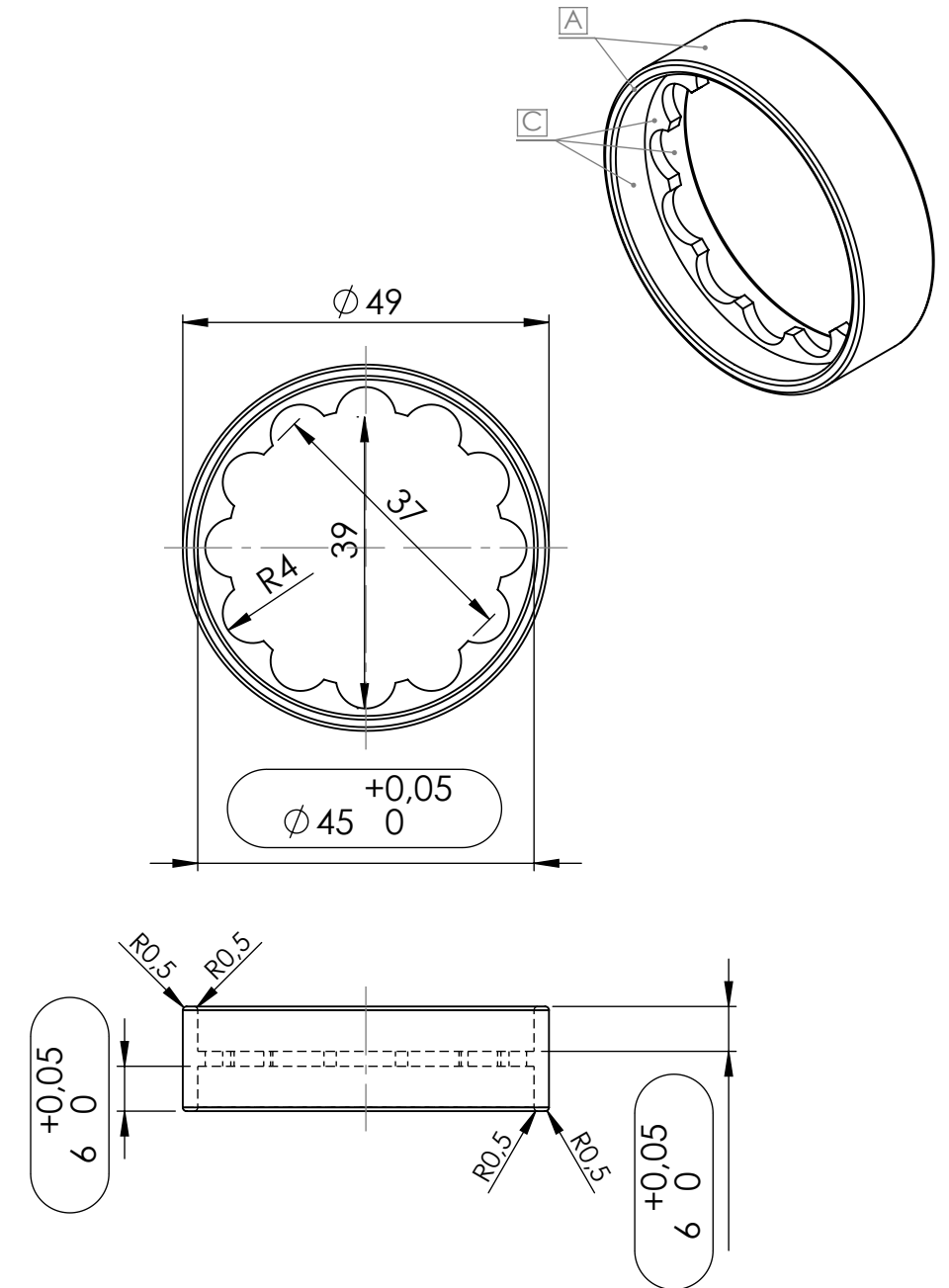
Rev.:	Date:	Name:	Description:

Part name: RADIO	Projection: 	Sheet format: A3	Tolerance unless otherwise specified DS/ISO 2768-1M Linear dimensions: <table border="1"> <tr> <td>0-3</td> <td>3-6</td> <td>6-30</td> <td>30-120</td> <td>120-400</td> <td>400-1000</td> <td>1000-2000</td> </tr> <tr> <td>$\pm 0,1$</td> <td>$\pm 0,1$</td> <td>$\pm 0,2$</td> <td>$\pm 0,3$</td> <td>$\pm 0,5$</td> <td>$\pm 0,8$</td> <td>$\pm 1,2$</td> </tr> </table> Angle: $\pm 0,5^\circ$ Radius: $\pm 5\%$	0-3	3-6	6-30	30-120	120-400	400-1000	1000-2000	$\pm 0,1$	$\pm 0,1$	$\pm 0,2$	$\pm 0,3$	$\pm 0,5$	$\pm 0,8$	$\pm 1,2$
	0-3	3-6		6-30	30-120	120-400	400-1000	1000-2000									
$\pm 0,1$	$\pm 0,1$	$\pm 0,2$	$\pm 0,3$	$\pm 0,5$	$\pm 0,8$	$\pm 1,2$											
Sheet: 1 of 2	Scale: 1:1	Weight:	furnipart® Delta 2 Phone: +45 87 64 35 00 DK-8382 Hinnerup E-mail: fp@furnipart.com Requirements confer PS-001 Technical Specifications														
Designer:	Drawn by: MLR 16-10-2023	Finish requirements (PS-004) [A] = Most important surface [B] = Important surface [C] = Less important surface															
Item no.: 113220049	Material: Zamac/Wood	COPYRIGHT: THIS DRAWING MAY NOT BE COPIED OR REPRODUCED IN ANY WAY WITHOUT DIRECT PERMISSION FROM FURNIPART A/S															

Two wood parts, 113230045:



Zamac part:



Rev.:	Date:	Name:	Description:

Part name: RADIO	Projection: 	Sheet format: A3	Tolerance unless otherwise specified DS/ISO 2768-1M Linear dimensions: 0-3: ±0,1 3-6: ±0,1 6-30: ±0,2 30-120: ±0,3 120-400: ±0,5 400-1000: ±0,8 1000-2000: ±1,2 Angle: ±0,5° Radius: ±5%
	Sheet: 2 of 2	Scale: 1:1	
Designer:	Drawn by: MLR 16-10-2023	Weight:	 Delta 2 DK-8382 Hinnerup Phone: +45 87 64 35 00 E-mail: fp@furnipart.com Requirements confer PS-001 Technical Specifications
Item no.: 113220049	Finish requirements (PS-004) A = Most important surface B = Important surface C = Less important surface	Material: Zamac/Wood	
COPYRIGHT: THIS DRAWING MAY NOT BE COPIED OR REPRODUCED IN ANY WAY WITHOUT DIRECT PERMISSION FROM FURNIPART A/S			