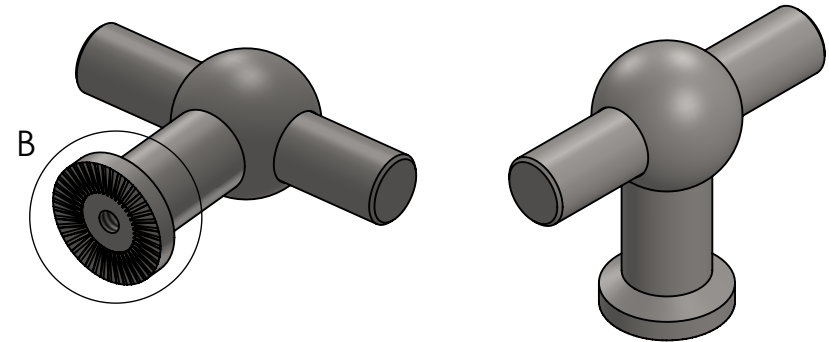
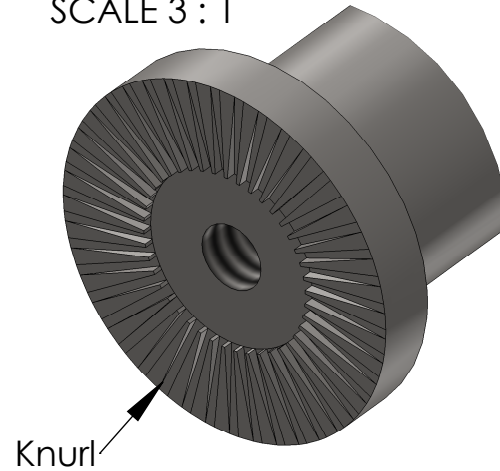


DETAIL B  
SCALE 3 : 1



Part name: <b>CURTAIN KNOB</b>	Projection: 	Sheet format: <b>A4</b>	Tolerance unless otherwise specified DS/ISO 2768-1M Linear dimensions:																
Customer:	Drawn by: <i>ps date 5. december 2013</i>	Scale: <b>1:1</b>																	
Part no.: <b>224240050-25</b>	Page 1 of 1	<table border="1"> <tr> <td></td> <td>0-3</td> <td>3-6</td> <td>6-30</td> <td>30-120</td> <td>120-400</td> <td>400-1000</td> <td>1000-2000</td> </tr> <tr> <td></td> <td>± 0.1</td> <td>± 0.1</td> <td>± 0.2</td> <td>± 0.3</td> <td>± 0.5</td> <td>± 0.8</td> <td>± 1.2</td> </tr> </table>			0-3	3-6	6-30	30-120	120-400	400-1000	1000-2000		± 0.1	± 0.1	± 0.2	± 0.3	± 0.5	± 0.8	± 1.2
	0-3	3-6	6-30	30-120	120-400	400-1000	1000-2000												
	± 0.1	± 0.1	± 0.2	± 0.3	± 0.5	± 0.8	± 1.2												
Material: <b>Stainless Steel AISI 304</b>	Weight: <b>74,55 grams</b>	<table border="1"> <tr> <td></td> <td>Angle</td> <td>Radius</td> <td></td> </tr> <tr> <td></td> <td>± 0.5°</td> <td>± 5%</td> <td></td> </tr> </table>			Angle	Radius			± 0.5°	± 5%									
	Angle	Radius																	
	± 0.5°	± 5%																	

**furnipart®**

Delta 2 Phone: +45 87 64 35 00  
DK-8382 Hinnerup Fax: +45 87 64 35 01

Rev.:	Date:	Name:	Description: