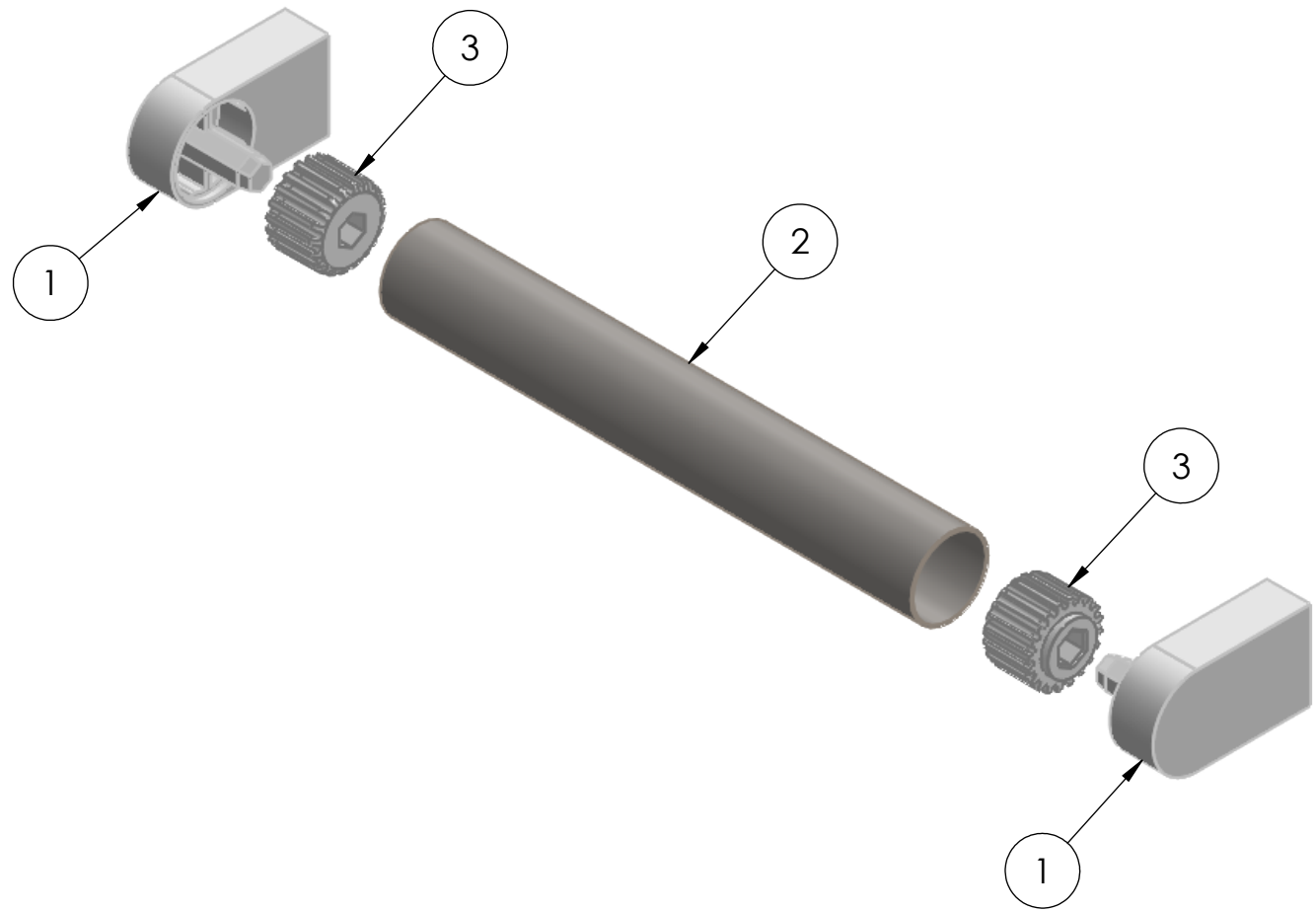


PART NO.	C/C	LENGTH
224330148	148	160
224330160	160	172
224330192	192	204
224330256	256	268
224330298	298	310
224330302	302	330
224330320	320	332
224330436	436	448
224330448	448	460
224330472	472	500
224330595	595	607
224330648	648	660
224330700	700	712
224330748	748	760
224330775	775	787
224330860	860	872
2243301125	1125	1137

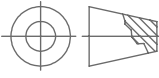

Rev.:	Date:	Name:	Description:
E	09-06-2019	MCH	Dimension added
D	12-06-2019	MCH	Length added (330 and 500)
C	13-04-2019	IKR	Length added (448)
B	20-09-2016	IKR	Part added to assembly. Drawing layout changed

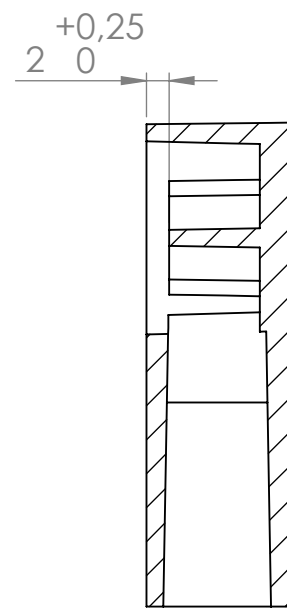
Part name: BIG	Projection: 	Sheet format: A3	Tolerance unless otherwise specified DS/ISO 2768-1M Linear dimensions: 0-3 ± 0.1 3-6 ± 0.1 6-30 ± 0.2 30-120 ± 0.3 120-400 ± 0.5 400-1000 ± 0.8 1000-2000 ± 1.2 2000-4000 ± 2				
Customer:	Drawn by: PS date 27-06-2011	Scale: 1:1.5					
Part no.: 224330xxx	Page 1 of 6	Material:	Weight: grams				
<table border="1"> <thead> <tr> <th>Angle</th> <th>Radius</th> </tr> </thead> <tbody> <tr> <td>± 0.5°</td> <td>± 0.2</td> </tr> </tbody> </table>			Angle	Radius	± 0.5°	± 0.2	 Delta 2 DK-8382 Hinnerup Phone: +45 87 64 35 00 Fax: +45 87 64 35 01
Angle	Radius						
± 0.5°	± 0.2						
COPYRIGHT: THIS DRAWING MAY NOT BE COPIED OR REPRODUCED IN ANY WAY WITHOUT DIRECT PERMISSION FROM FURNIPART A/S							

NO.	PART	PCS.	DESCRIPTION
1	224330xxx - END PIECE	2	END PIECE
2	224330xxx - PIPE	1	PIPE
3	224330xxx - SUPPORT PIN	2	SUPPORT PIN

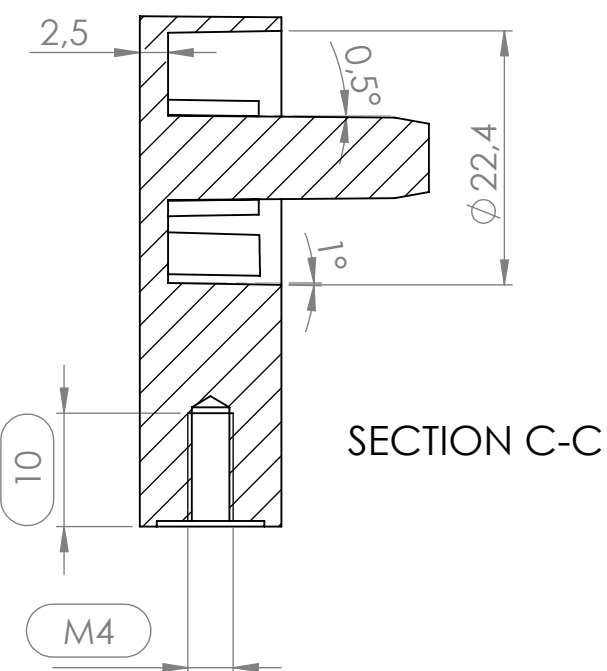
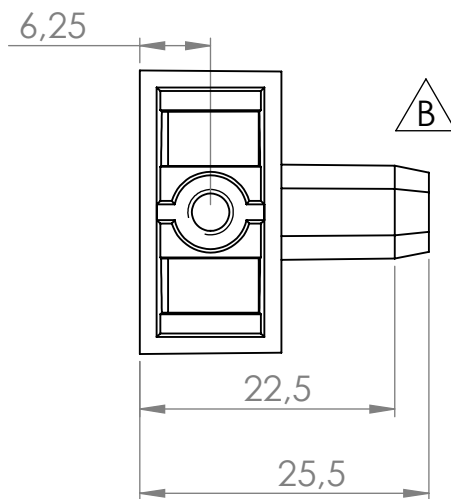
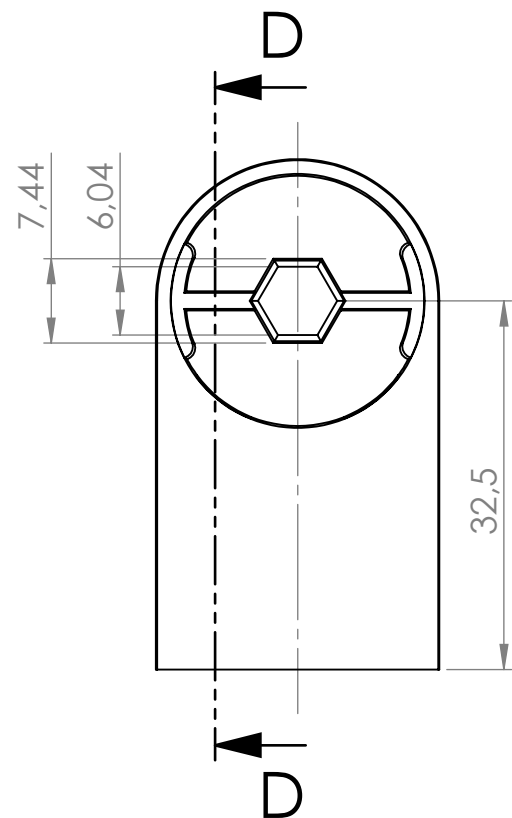


Rev.:	Date:	Name:	Description:
B	20-09-2016	IKR	Part added to assembly. Drawing layout changed
A	27-06-2011	PS	Add of new sizes and drawing layout changed

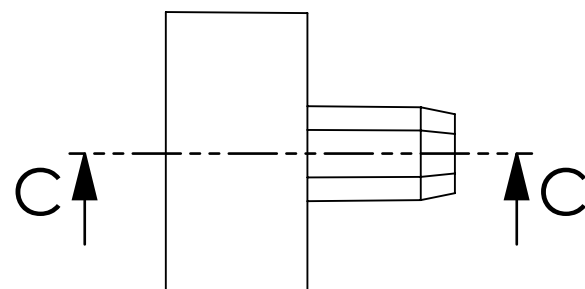
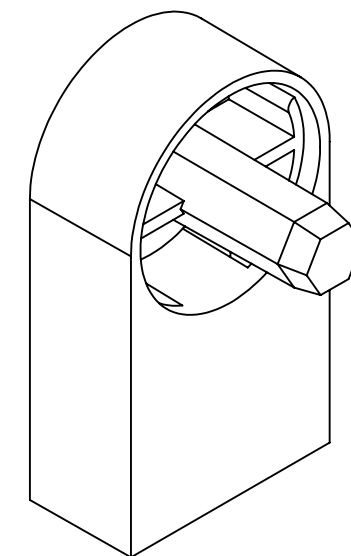
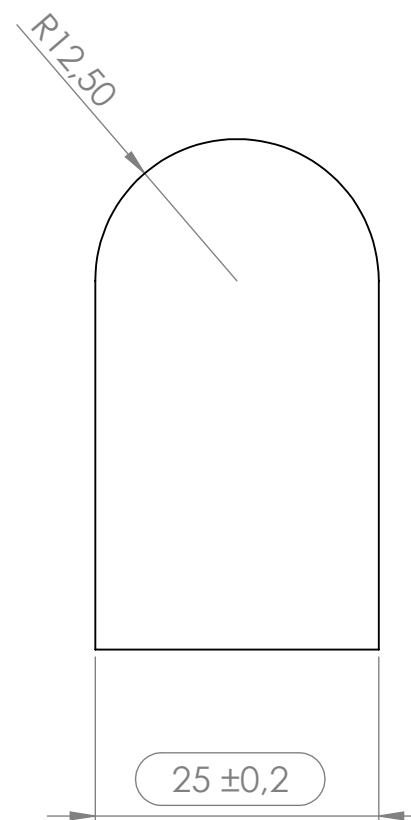
Part name: BIG	Projection: 	Sheet format: A3	Tolerance unless otherwise specified DS/ISO 2768-1M Linear dimensions: <table border="1"> <tr> <td>0-3</td> <td>3-6</td> <td>6 - 30</td> <td>30- 120</td> <td>120- 400</td> <td>400- 1000</td> <td>1000- 2000</td> <td>2000 - 4000</td> </tr> <tr> <td>± 0.1</td> <td>± 0.1</td> <td>± 0.2</td> <td>± 0.3</td> <td>± 0.5</td> <td>± 0.8</td> <td>± 1.2</td> <td>± 2</td> </tr> </table>	0-3	3-6	6 - 30	30- 120	120- 400	400- 1000	1000- 2000	2000 - 4000	± 0.1	± 0.1	± 0.2	± 0.3	± 0.5	± 0.8	± 1.2	± 2
0-3	3-6	6 - 30		30- 120	120- 400	400- 1000	1000- 2000	2000 - 4000											
± 0.1	± 0.1	± 0.2	± 0.3	± 0.5	± 0.8	± 1.2	± 2												
Customer:	Drawn by: PS date 27-06-2011	Scale: 1:1.5	<table border="1"> <tr> <td>Angle</td> <td>Radius</td> <td></td> <td></td> </tr> <tr> <td>± 0.5°</td> <td>± 0.2</td> <td></td> <td></td> </tr> </table>	Angle	Radius			± 0.5°	± 0.2										
Angle	Radius																		
± 0.5°	± 0.2																		
Part no.: 224330xxx	Page 2 of 6	 Delta 2 Phone: +45 87 64 35 00 DK-8382 Hinnerup Fax: +45 87 64 35 01																	
Material:	Weight: grams																		



SECTION D-D



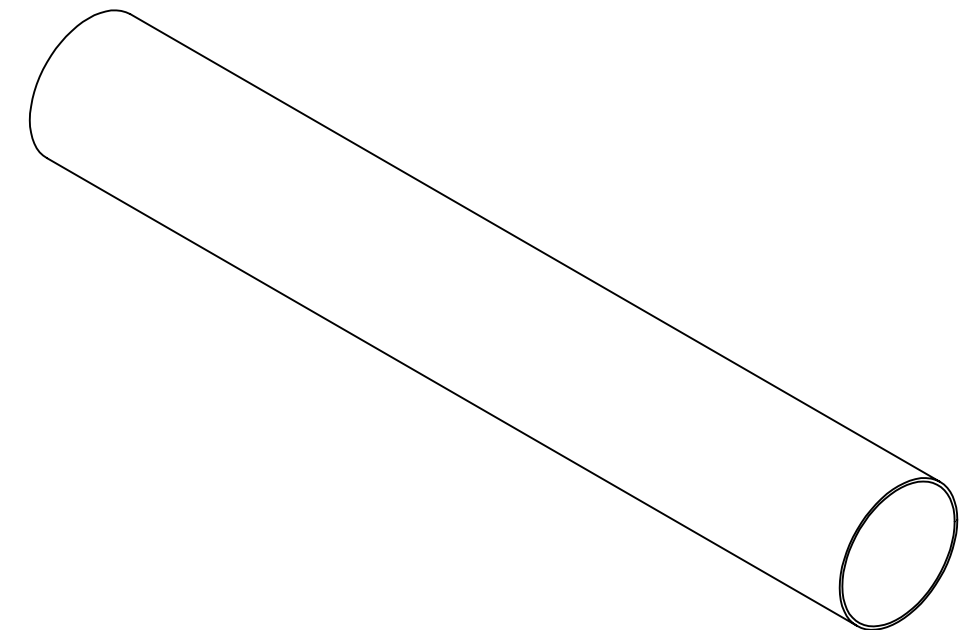
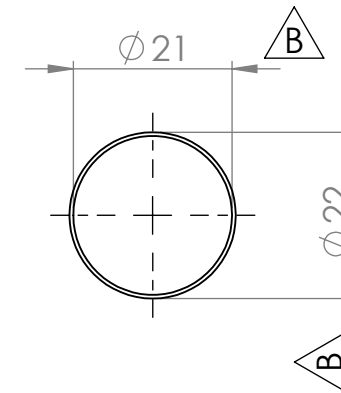
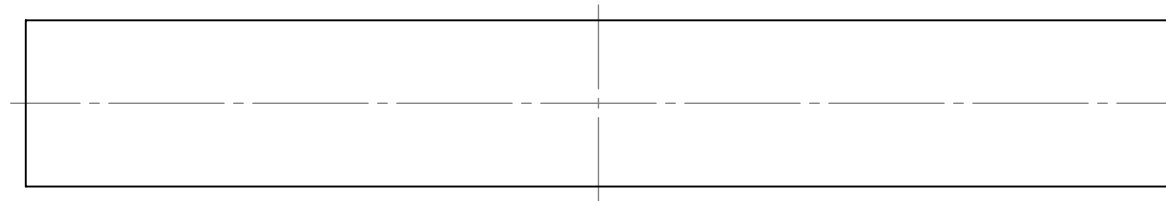
SECTION C-C



Rev.:	Date:	Name:	Description:
D	12-06-2019	MCH	Length added (330 and 500)
C	13-04-2019	IKR	Length added (448)
B	20-09-2016	IKR	Geometry change

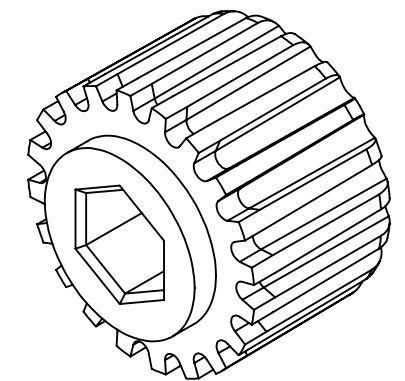
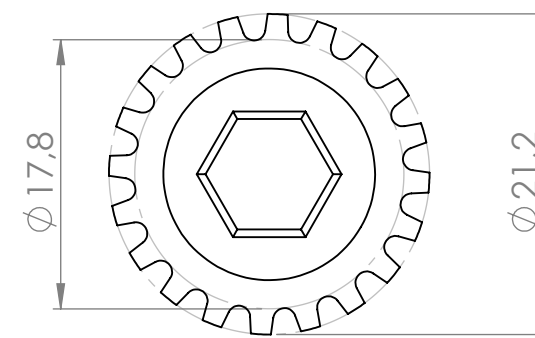
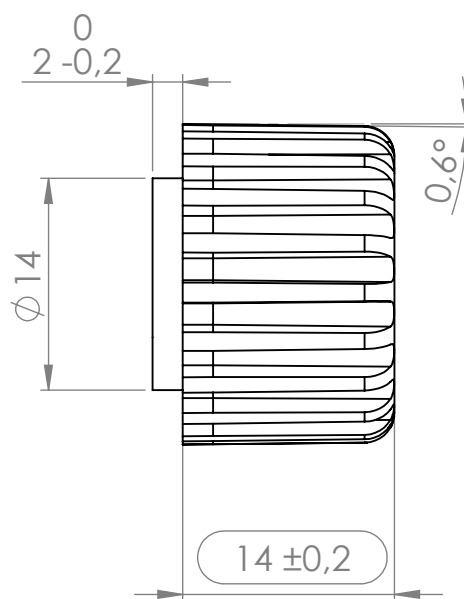
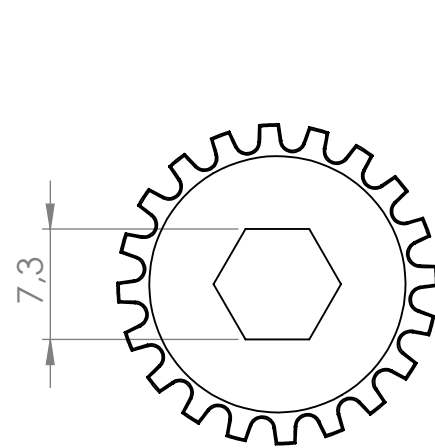
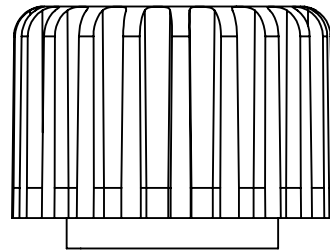
Part name: END PIECE	Projection: 	Sheet format: A3	Tolerance unless otherwise specified DS/ISO 2768-1M																		
Customer:	Drawn by: PS date 27-06-2011	Scale: 1.5:1																			
Part no.: 224330xxx	Page 3 of 6	<table border="1"> <thead> <tr> <th>Linear dimensions:</th> <th>0-3</th> <th>3-6</th> <th>6 - 30</th> <th>30- 120</th> <th>120- 400</th> <th>400- 1000</th> <th>1000- 2000</th> <th>2000- 4000</th> </tr> </thead> <tbody> <tr> <td></td> <td>± 0.1</td> <td>± 0.1</td> <td>± 0.2</td> <td>± 0.3</td> <td>± 0.5</td> <td>± 0.8</td> <td>± 1.2</td> <td>± 2</td> </tr> </tbody> </table>		Linear dimensions:	0-3	3-6	6 - 30	30- 120	120- 400	400- 1000	1000- 2000	2000- 4000		± 0.1	± 0.1	± 0.2	± 0.3	± 0.5	± 0.8	± 1.2	± 2
Linear dimensions:	0-3	3-6	6 - 30	30- 120	120- 400	400- 1000	1000- 2000	2000- 4000													
	± 0.1	± 0.1	± 0.2	± 0.3	± 0.5	± 0.8	± 1.2	± 2													
Material: Zinc	Weight: 48.06 grams	<table border="1"> <thead> <tr> <th>Angle</th> <th>Radius</th> </tr> </thead> <tbody> <tr> <td>± 0.5°</td> <td>± 0.2</td> </tr> </tbody> </table>		Angle	Radius	± 0.5°	± 0.2														
Angle	Radius																				
± 0.5°	± 0.2																				
Copyright: THIS DRAWING MAY NOT BE COPIED OR REPRODUCED IN ANY WAY WITHOUT DIRECT PERMISSION FROM FURNIPART A/S																					

furnipart®
 Delta 2 Phone: +45 87 64 35 00
 DK-8382 Hinnerup Fax: +45 87 64 35 01



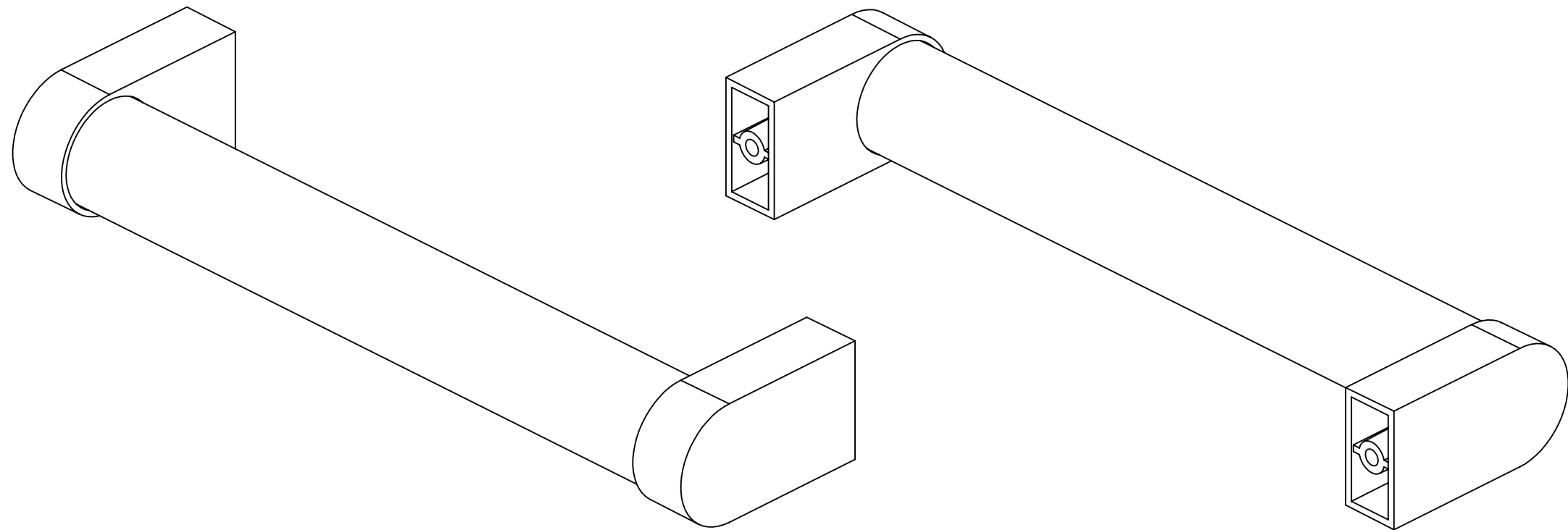
Rev.:	Date:	Name:	Description:
B	20-09-2016	IKR	Geometry change
A	27-06-2011	PS	Add of new sizes and drawing layout changed

Part name: PIPE	Projection: 	Sheet format: A3	Tolerance unless otherwise specified DS/ISO 2768-1M Linear dimensions: <table border="1"> <thead> <tr> <th>0-3</th> <th>3-6</th> <th>6-30</th> <th>30-120</th> <th>120-400</th> <th>400-1000</th> <th>1000-2000</th> <th>2000-4000</th> </tr> </thead> <tbody> <tr> <td>± 0.1</td> <td>± 0.1</td> <td>± 0.2</td> <td>± 0.3</td> <td>± 0.5</td> <td>± 0.8</td> <td>± 1.2</td> <td>± 2</td> </tr> </tbody> </table>	0-3	3-6	6-30	30-120	120-400	400-1000	1000-2000	2000-4000	± 0.1	± 0.1	± 0.2	± 0.3	± 0.5	± 0.8	± 1.2	± 2
0-3	3-6	6-30		30-120	120-400	400-1000	1000-2000	2000-4000											
± 0.1	± 0.1	± 0.2	± 0.3	± 0.5	± 0.8	± 1.2	± 2												
Customer:	Drawn by: PS date 27-06-2011	Scale: 1:1																	
Part no.: 224330xxx	Page 4 of 6	<table border="1"> <thead> <tr> <th>Angle</th> <th>Radius</th> </tr> </thead> <tbody> <tr> <td>± 0.5°</td> <td>± 0.2</td> </tr> </tbody> </table>		Angle	Radius	± 0.5°	± 0.2												
Angle	Radius																		
± 0.5°	± 0.2																		
Material: AISI 304	Weight: 40.93 grams	 Delta 2 Phone: +45 87 64 35 00 DK-8382 Hinnerup Fax: +45 87 64 35 01																	
COPYRIGHT: THIS DRAWING MAY NOT BE COPIED OR REPRODUCED IN ANY WAY WITHOUT DIRECT PERMISSION FROM FURNIPART A/S																			



Rev.:	Date:	Name:	Description:
A	20-09-2016	IKR	Initial release

Part name: SUPPORT PIN	Projection: 	Sheet format: A3 Scale: 2:1	Tolerance unless otherwise specified DS/ISO 2768-1M																
Customer:	Drawn by: IKR date 20-09-2016		Linear dimensions: <table border="1"> <tr> <td>0-3</td> <td>3-6</td> <td>6-30</td> <td>30-120</td> <td>120-400</td> <td>400-1000</td> <td>1000-2000</td> <td>2000-4000</td> </tr> <tr> <td>± 0.1</td> <td>± 0.1</td> <td>± 0.2</td> <td>± 0.3</td> <td>± 0.5</td> <td>± 0.8</td> <td>± 1.2</td> <td>± 2</td> </tr> </table>	0-3	3-6	6-30	30-120	120-400	400-1000	1000-2000	2000-4000	± 0.1	± 0.1	± 0.2	± 0.3	± 0.5	± 0.8	± 1.2	± 2
0-3	3-6	6-30	30-120	120-400	400-1000	1000-2000	2000-4000												
± 0.1	± 0.1	± 0.2	± 0.3	± 0.5	± 0.8	± 1.2	± 2												
Part no.: 224330xxx	Page 5 of 6		<table border="1"> <tr> <td>Angle</td> <td>Radius</td> <td></td> <td></td> </tr> <tr> <td>± 0.5°</td> <td>± 0.2</td> <td></td> <td></td> </tr> </table>	Angle	Radius			± 0.5°	± 0.2										
Angle	Radius																		
± 0.5°	± 0.2																		
Material: Plastic	Weight: 3.76 grams																		
		<small>Delta 2 DK-8382 Hinnerup Phone: +45 87 64 35 00 Fax: +45 87 64 35 01</small>																	
COPYRIGHT: THIS DRAWING MAY NOT BE COPIED OR REPRODUCED IN ANY WAY WITHOUT DIRECT PERMISSION FROM FURNIPART A/S																			



Rev.:	Date:	Name:	Description:
B	20-09-2016	IKR	Part added to assembly. Drawing layout changed
A	27-06-2011	PS	Add of new sizes and drawing layout changed

Part name: BIG	Projection: 	Sheet format: A3	Tolerance unless otherwise specified DS/ISO 2768-1M Linear dimensions: <table border="1"> <tr> <td>0-3</td> <td>3-6</td> <td>6 - 30</td> <td>30- 120</td> <td>120- 400</td> <td>400- 1000</td> <td>1000- 2000</td> <td>2000 - 4000</td> </tr> <tr> <td>± 0.1</td> <td>± 0.1</td> <td>± 0.2</td> <td>± 0.3</td> <td>± 0.5</td> <td>± 0.8</td> <td>± 1.2</td> <td>± 2</td> </tr> </table>	0-3	3-6	6 - 30	30- 120	120- 400	400- 1000	1000- 2000	2000 - 4000	± 0.1	± 0.1	± 0.2	± 0.3	± 0.5	± 0.8	± 1.2	± 2
0-3	3-6	6 - 30		30- 120	120- 400	400- 1000	1000- 2000	2000 - 4000											
± 0.1	± 0.1	± 0.2	± 0.3	± 0.5	± 0.8	± 1.2	± 2												
Customer:	Drawn by: PS date 27-06-2011	Scale: 1:1	<table border="1"> <tr> <td>Angle</td> <td>Radius</td> <td> </td> <td> </td> </tr> <tr> <td>± 0.5°</td> <td>± 0.2</td> <td> </td> <td> </td> </tr> </table>	Angle	Radius			± 0.5°	± 0.2										
Angle	Radius																		
± 0.5°	± 0.2																		
Part no.: 224330xxx	Material:	Page 6 of 6	 Delta 2 DK-8382 Hinnerup Phone: +45 87 64 35 00 Fax: +45 87 64 35 01																
	Weight: grams																		