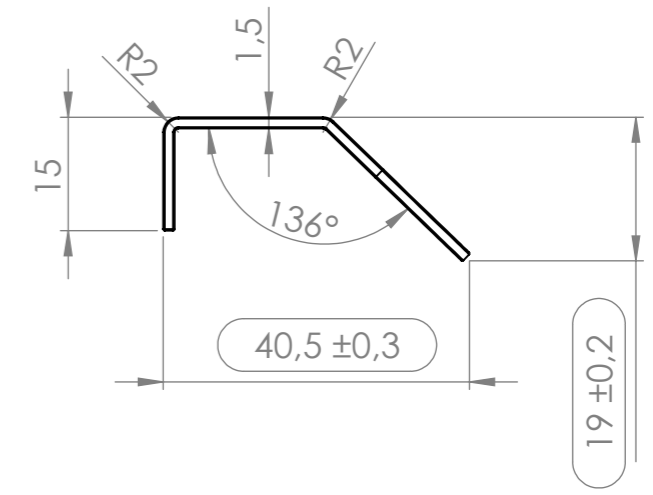
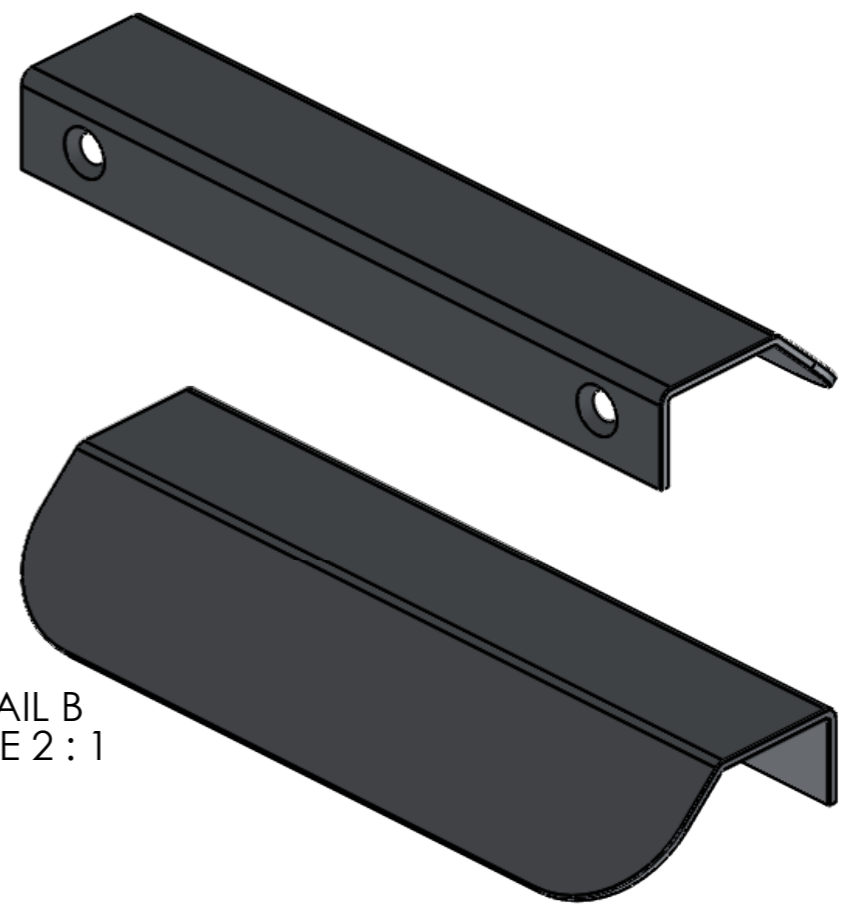


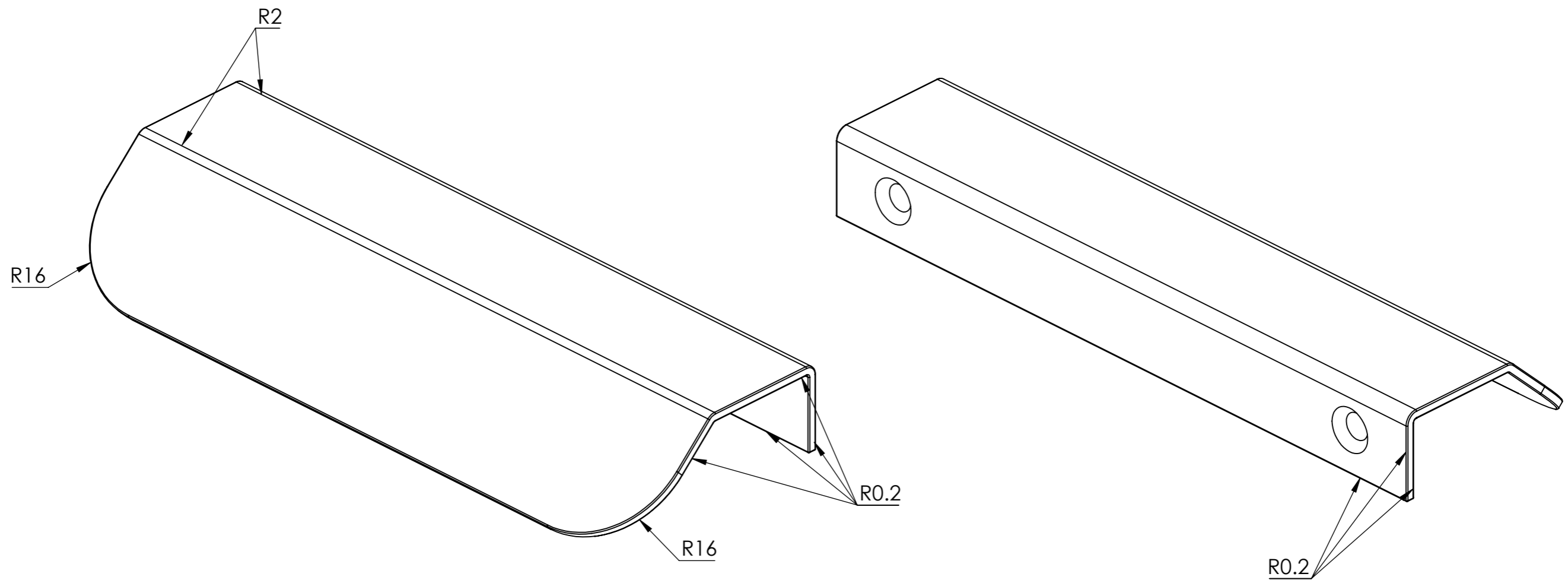
DETAIL B
SCALE 2 : 1



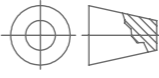

| Rev.: | Date: | Name: | Description: |
|-------|------------|-------|-----------------|
| A | 16-05-2016 | IKR | Initial release |
| | | | |
| | | | |

| Part name: PLINTH | Projection: | Sheet format: A3 | Tolerance unless otherwise specified DS/ISO 2768-1M | | | | | | | | | | | | | | | | | | |
|---|----------------------------------|--|--|--------------------|---------|----------|-----------|-----------|---------|----------|-----------|-----------|--|-------|-------|-------|-------|-------|-------|-------|-----|
| Customer: | Drawn by: IKR date 16-05-2016 | Scale: 1:1 | | | | | | | | | | | | | | | | | | | |
| Part no.: 229030096-25 | Page 1 of 2 | <table border="1"> <thead> <tr> <th>Linear dimensions:</th> <th>0-3</th> <th>3-6</th> <th>6-30</th> <th>30-120</th> <th>120-400</th> <th>400-1000</th> <th>1000-2000</th> <th>2000-4000</th> </tr> </thead> <tbody> <tr> <td></td> <td>± 0.1</td> <td>± 0.1</td> <td>± 0.2</td> <td>± 0.3</td> <td>± 0.5</td> <td>± 0.8</td> <td>± 1.2</td> <td>± 2</td> </tr> </tbody> </table> | | Linear dimensions: | 0-3 | 3-6 | 6-30 | 30-120 | 120-400 | 400-1000 | 1000-2000 | 2000-4000 | | ± 0.1 | ± 0.1 | ± 0.2 | ± 0.3 | ± 0.5 | ± 0.8 | ± 1.2 | ± 2 |
| Linear dimensions: | 0-3 | 3-6 | 6-30 | 30-120 | 120-400 | 400-1000 | 1000-2000 | 2000-4000 | | | | | | | | | | | | | |
| | ± 0.1 | ± 0.1 | ± 0.2 | ± 0.3 | ± 0.5 | ± 0.8 | ± 1.2 | ± 2 | | | | | | | | | | | | | |
| Material: AISI 304 | Weight: 84.58 grams | <table border="1"> <thead> <tr> <th>Angle</th> <th>Radius</th> </tr> </thead> <tbody> <tr> <td>± 0.5°</td> <td>± 0.2</td> </tr> </tbody> </table> | | Angle | Radius | ± 0.5° | ± 0.2 | | | | | | | | | | | | | | |
| Angle | Radius | | | | | | | | | | | | | | | | | | | | |
| ± 0.5° | ± 0.2 | | | | | | | | | | | | | | | | | | | | |
| COPYRIGHT: THIS DRAWING MAY NOT BE COPIED OR REPRODUCED IN ANY WAY WITHOUT DIRECT PERMISSION FROM FURNIPART A/S | | | | | | | | | | | | | | | | | | | | | |

furnipart®
Delta 2 DK-8382 Hinnerup Phone: +45 87 64 35 00 Fax: +45 87 64 35 01



| Rev.: | Date: | Name: | Description: |
|-------|------------|-------|-----------------|
| A | 16-05-2016 | IKR | Initial release |
| | | | |
| | | | |
| | | | |

| | | | | | | | | | | | | | | | | | | | |
|-------------------------------|---|------------------------------|--|--------|---------|----------|-----------|-----------|----------|-----------|-----------|-------|-------|-------|-------|-------|-------|-------|-----|
| Part name: PLINTH | Projection:  | Sheet format: A3 | Tolerance unless otherwise specified DS/ISO 2768-1M Linear dimensions: <table border="1"> <tr> <td>0-3</td> <td>3-6</td> <td>6-30</td> <td>30-120</td> <td>120-400</td> <td>400-1000</td> <td>1000-2000</td> <td>2000-4000</td> </tr> <tr> <td>± 0.1</td> <td>± 0.1</td> <td>± 0.2</td> <td>± 0.3</td> <td>± 0.5</td> <td>± 0.8</td> <td>± 1.2</td> <td>± 2</td> </tr> </table> | 0-3 | 3-6 | 6-30 | 30-120 | 120-400 | 400-1000 | 1000-2000 | 2000-4000 | ± 0.1 | ± 0.1 | ± 0.2 | ± 0.3 | ± 0.5 | ± 0.8 | ± 1.2 | ± 2 |
| 0-3 | 3-6 | 6-30 | | 30-120 | 120-400 | 400-1000 | 1000-2000 | 2000-4000 | | | | | | | | | | | |
| ± 0.1 | ± 0.1 | ± 0.2 | ± 0.3 | ± 0.5 | ± 0.8 | ± 1.2 | ± 2 | | | | | | | | | | | | |
| Customer: | Drawn by: IKR date 16-05-2016 | Scale: 1.5:1 | <table border="1"> <tr> <td>Angle</td> <td>Radius</td> <td> </td> <td> </td> </tr> <tr> <td>± 0.5°</td> <td>± 0.2</td> <td> </td> <td> </td> </tr> </table> | Angle | Radius | | | ± 0.5° | ± 0.2 | | | | | | | | | | |
| Angle | Radius | | | | | | | | | | | | | | | | | | |
| ± 0.5° | ± 0.2 | | | | | | | | | | | | | | | | | | |
| Part no.: 229030096-25 | Page 2 of 2 | Material: AISI 304 |  Delta 2 Phone: +45 87 64 35 00 DK-8382 Hinnerup Fax: +45 87 64 35 01 | | | | | | | | | | | | | | | | |
| Weight: 84.58 grams | COPYRIGHT: THIS DRAWING MAY NOT BE COPIED OR REPRODUCED IN ANY WAY WITHOUT DIRECT PERMISSION FROM FURNIPART A/S | | | | | | | | | | | | | | | | | | |