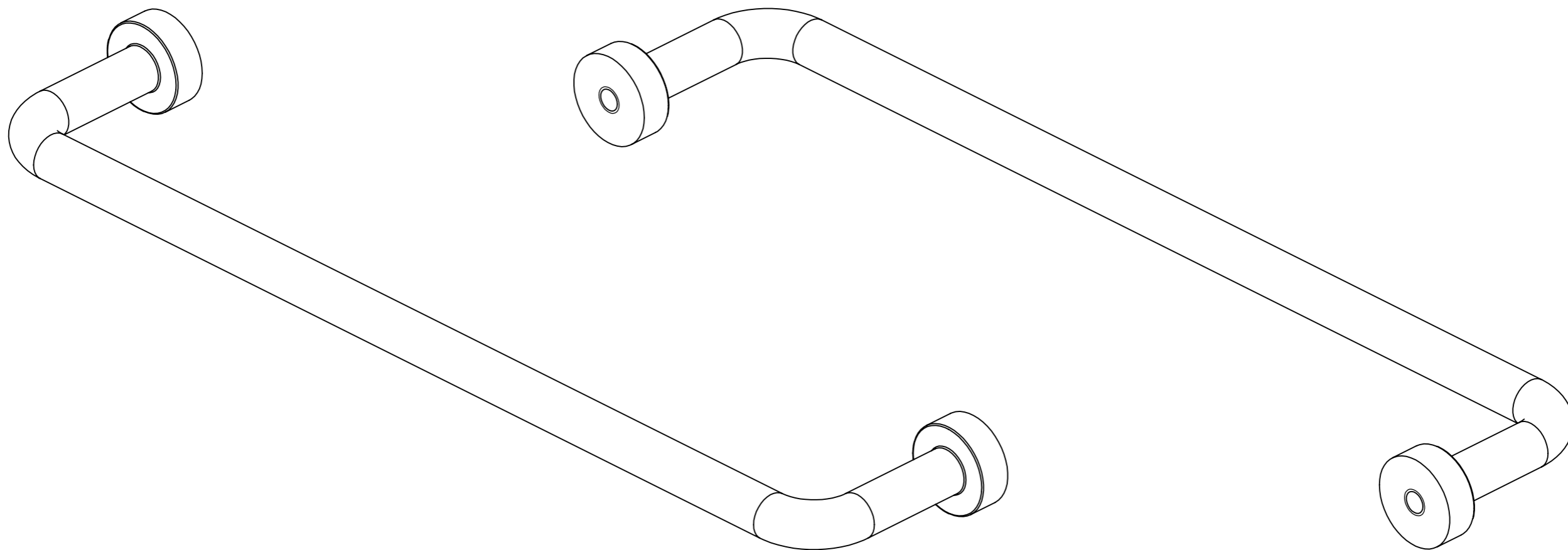




Part name: LOUNGE	Projection: 	Sheet format: A3	Tolerance unless otherwise specified DS/ISO 2768-1M																		
Customer:	Drawn by: IKR date 18-04-2017	Scale: 1:1																			
Part no.: 240330xxx	Page 1 of 2	<table border="1"> <tr> <th>Linear dimensions:</th> <th>0-3</th> <th>3-6</th> <th>6-30</th> <th>30-120</th> <th>120-400</th> <th>400-1000</th> <th>1000-2000</th> <th>2000-4000</th> </tr> <tr> <td></td> <td>± 0.1</td> <td>± 0.1</td> <td>± 0.2</td> <td>± 0.3</td> <td>± 0.5</td> <td>± 0.8</td> <td>± 1.2</td> <td>± 2</td> </tr> </table>		Linear dimensions:	0-3	3-6	6-30	30-120	120-400	400-1000	1000-2000	2000-4000		± 0.1	± 0.1	± 0.2	± 0.3	± 0.5	± 0.8	± 1.2	± 2
Linear dimensions:	0-3	3-6	6-30	30-120	120-400	400-1000	1000-2000	2000-4000													
	± 0.1	± 0.1	± 0.2	± 0.3	± 0.5	± 0.8	± 1.2	± 2													
Material:	Weight: 131.06 grams	<table border="1"> <tr> <th>Angle</th> <th>Radius</th> </tr> <tr> <td>± 0.5°</td> <td>± 0.2</td> </tr> </table>		Angle	Radius	± 0.5°	± 0.2														
Angle	Radius																				
± 0.5°	± 0.2																				
<table border="1"> <tr> <th>Rev.:</th> <th>Date:</th> <th>Name:</th> <th>Description:</th> </tr> <tr> <td>A</td> <td>18-04-2017</td> <td>IKR</td> <td>Initial release</td> </tr> <tr> <td>B</td> <td>10-04-2019</td> <td>IKR</td> <td>Length added (142)</td> </tr> <tr> <td>C</td> <td>19-11-2020</td> <td>MCH</td> <td>Length added (C/C 320)</td> </tr> </table>		Rev.:	Date:	Name:	Description:	A	18-04-2017	IKR	Initial release	B	10-04-2019	IKR	Length added (142)	C	19-11-2020	MCH	Length added (C/C 320)	<p>Delta 2 DK-8382 Hinnerup Phone: +45 87 64 35 00 Fax: +45 87 64 35 01</p>			
Rev.:	Date:	Name:	Description:																		
A	18-04-2017	IKR	Initial release																		
B	10-04-2019	IKR	Length added (142)																		
C	19-11-2020	MCH	Length added (C/C 320)																		
<table border="1"> <tr> <th>PART NO</th> <th>C/C</th> <th>L1</th> </tr> <tr> <td>240330128</td> <td>128</td> <td>142</td> </tr> <tr> <td>240330160</td> <td>160</td> <td>174</td> </tr> <tr> <td>240330320</td> <td>320</td> <td>334</td> </tr> </table>		PART NO	C/C	L1	240330128	128	142	240330160	160	174	240330320	320	334								
PART NO	C/C	L1																			
240330128	128	142																			
240330160	160	174																			
240330320	320	334																			



Rev.:	Date:	Name:	Description:
A	18-04-2017	IKR	Initial release
B	10-04-2019	IKR	Length added (142)
C	19-11-2020	MCH	Length added (C/C 320)

Part name: LOUNGE	Projection: 	Sheet format: A3	Tolerance unless otherwise specified DS/ISO 2768-1M																		
Customer:	Drawn by: IKR date 18-04-2017	Scale: 1.5:1																			
Part no.: 240330xxx	Page 2 of 2	<table border="1"> <thead> <tr> <th>Linear dimensions:</th> <th>0-3</th> <th>3-6</th> <th>6 - 30</th> <th>30- 120</th> <th>120- 400</th> <th>400- 1000</th> <th>1000 2000</th> <th>2000 4000</th> </tr> </thead> <tbody> <tr> <td></td> <td>± 0.1</td> <td>± 0.1</td> <td>± 0.2</td> <td>± 0.3</td> <td>± 0.5</td> <td>± 0.8</td> <td>± 1.2</td> <td>± 2</td> </tr> </tbody> </table>		Linear dimensions:	0-3	3-6	6 - 30	30- 120	120- 400	400- 1000	1000 2000	2000 4000		± 0.1	± 0.1	± 0.2	± 0.3	± 0.5	± 0.8	± 1.2	± 2
Linear dimensions:	0-3	3-6	6 - 30	30- 120	120- 400	400- 1000	1000 2000	2000 4000													
	± 0.1	± 0.1	± 0.2	± 0.3	± 0.5	± 0.8	± 1.2	± 2													
Material:	Weight: 131.06 grams	<table border="1"> <thead> <tr> <th>Angle</th> <th>Radius</th> </tr> </thead> <tbody> <tr> <td>± 0.5°</td> <td>± 0.2</td> </tr> </tbody> </table>		Angle	Radius	± 0.5°	± 0.2														
Angle	Radius																				
± 0.5°	± 0.2																				
																					
		<small>Delta 2 DK-8382 Hinnerup Phone: +45 87 64 35 00 Fax: +45 87 64 35 01</small>																			
COPYRIGHT: THIS DRAWING MAY NOT BE COPIED OR REPRODUCED IN ANY WAY WITHOUT DIRECT PERMISSION FROM FURNIPART A/S																					