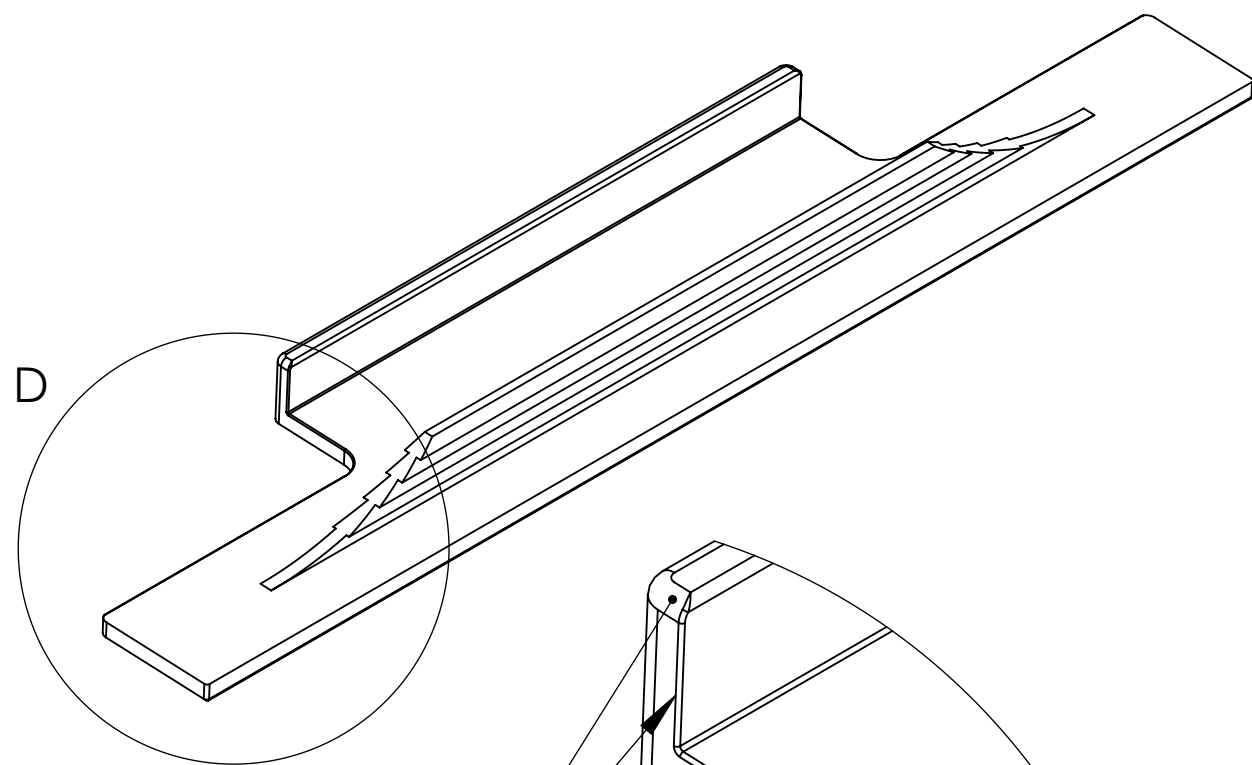
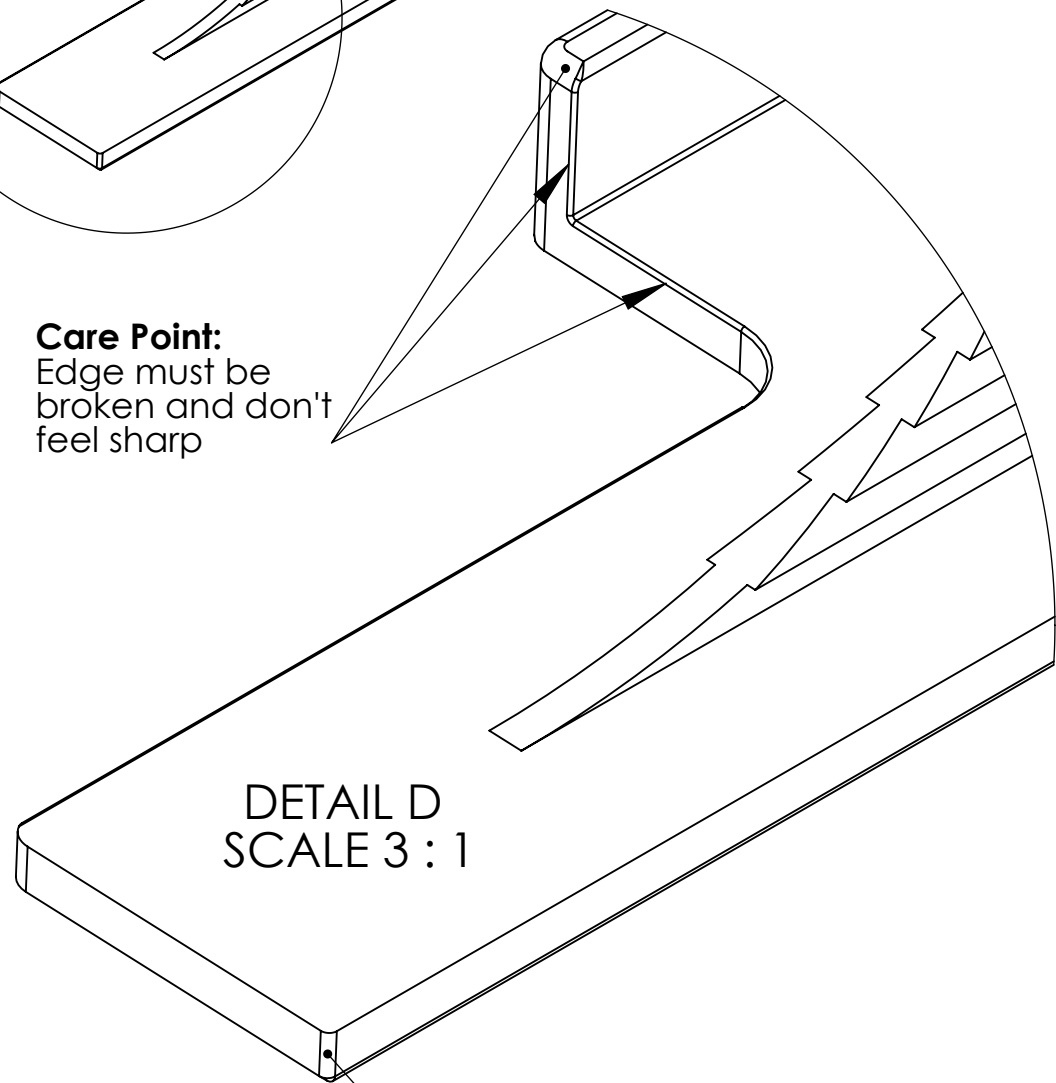


Rev.:	Date:	Name:	Description:
C	05-02-2014	PS	Machined chamfer 0,5 added
B	17-12-2012	PS	R1,5 changed to R0,5
A	08-11-2012	PS	New tolerances and Care Points (for approval)

Part name: <b>TRIM</b>	Projection: 	Sheet format: <b>A3</b>	Tolerance unless otherwise specified DS/ISO 2768-1M Linear dimensions: 0-3 ± 0,1   3-6 ± 0,1   6-30 ± 0,2   30-120 ± 0,3   120-400 ± 0,5   400-1000 ± 0,8   1000-2000 ± 1,2
Customer:	Drawn by: ps date 5. februar 2014	Scale: <b>1:1</b>	
Part no.: <b>408020xxx-xx.1</b>	Page 1 of 2	Weight:	Angle: ± 0,5°   Radius: ± 5%
Material: <b>Aluminium</b>			Delta 2   DK-8382 Hinnerup   Phone: +45 87 64 35 00   Fax: +45 87 64 35 01
COPYRIGHT: THIS DRAWING MAY NOT BE COPIED OR REPRODUCED IN ANY WAY WITHOUT DIRECT PERMISSION FROM FURNIPART A/S			

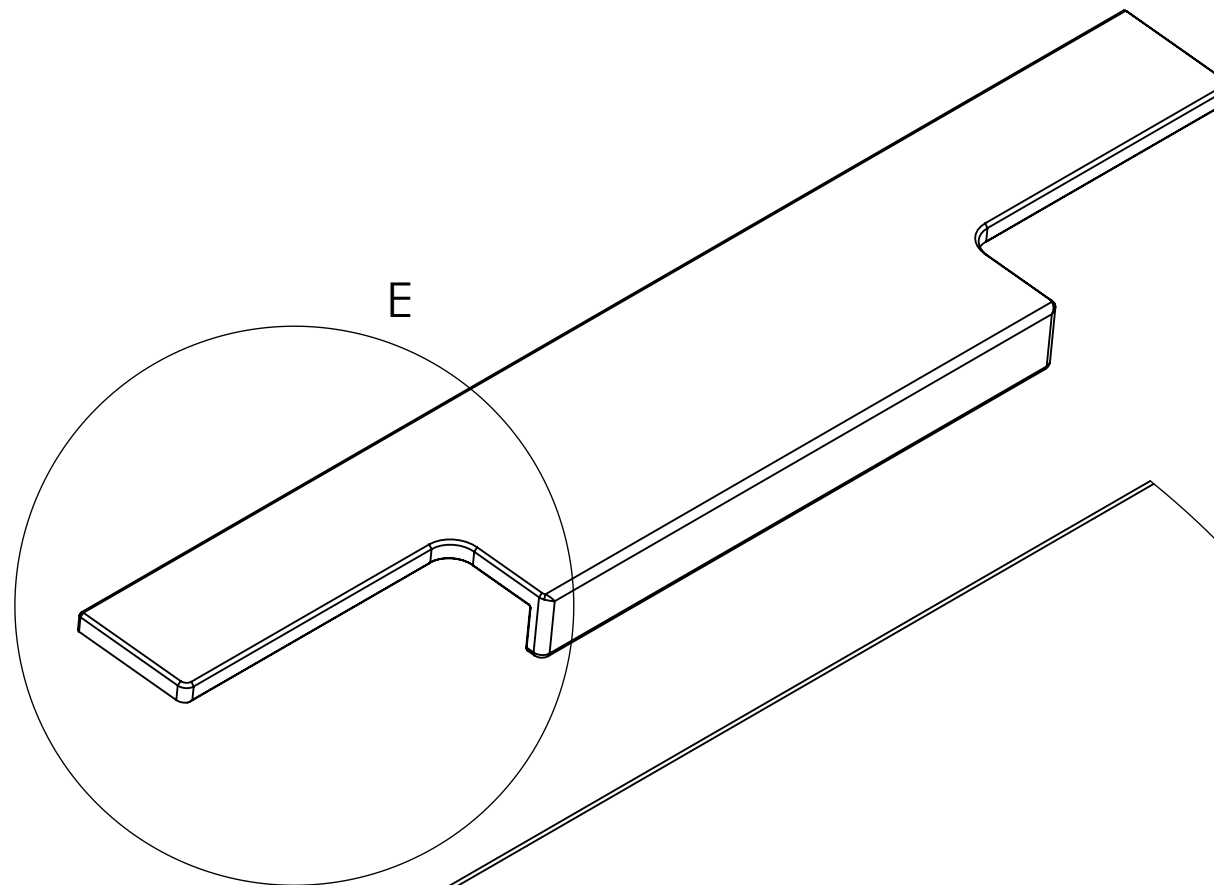


**Care Point:**  
Edge must be broken and don't feel sharp



DETAIL D  
SCALE 3 : 1

**Care Point:**  
This corner R0.5 in both ends and don't feel sharp



DETAIL E  
SCALE 3 : 1

**C**  
Machined chamfer 0,5x45°

**C**  
Machined chamfer 0,5x45°

**Care Point:**  
Edge with R1,5 to R2,5

Rev.:	Date:	Name:	Description:
C	05-02-2014	PS	Machined chamfer 0,5 added
B	17-12-2012	PS	R1,5 changed to R0,5
A	08-11-2012	PS	New tolerances and Care Points (for approval)

Part name: <b>TRIM</b>	Projection: 	Sheet format: <b>A3</b>	Tolerance unless otherwise specified DS/ISO 2768-1M Linear dimensions: <table border="1"> <tr> <td>0-3</td> <td>3-6</td> <td>6-30</td> <td>30-120</td> <td>120-400</td> <td>400-1000</td> <td>1000-2000</td> </tr> <tr> <td>± 0.1</td> <td>± 0.1</td> <td>± 0.2</td> <td>± 0.3</td> <td>± 0.5</td> <td>± 0.8</td> <td>± 1.2</td> </tr> </table>	0-3	3-6	6-30	30-120	120-400	400-1000	1000-2000	± 0.1	± 0.1	± 0.2	± 0.3	± 0.5	± 0.8	± 1.2
0-3	3-6	6-30		30-120	120-400	400-1000	1000-2000										
± 0.1	± 0.1	± 0.2	± 0.3	± 0.5	± 0.8	± 1.2											
Customer:	Drawn by: ps date 5. februar 2014	Scale: <b>1:1</b>	<table border="1"> <tr> <td>Angle</td> <td>Radius</td> <td></td> </tr> <tr> <td>± 0.5°</td> <td>± 5%</td> <td></td> </tr> </table>	Angle	Radius		± 0.5°	± 5%									
Angle	Radius																
± 0.5°	± 5%																
Part no.: <b>408020xxx-xx.1</b>	Material: <b>Aluminium</b>	Page 2 of 2	 Delta 2 DK-8382 Hinnerup Phone: +45 87 64 35 00 Fax: +45 87 64 35 01														
COPYRIGHT: THIS DRAWING MAY NOT BE COPIED OR REPRODUCED IN ANY WAY WITHOUT DIRECT PERMISSION FROM FURNIPART A/S		Weight:															