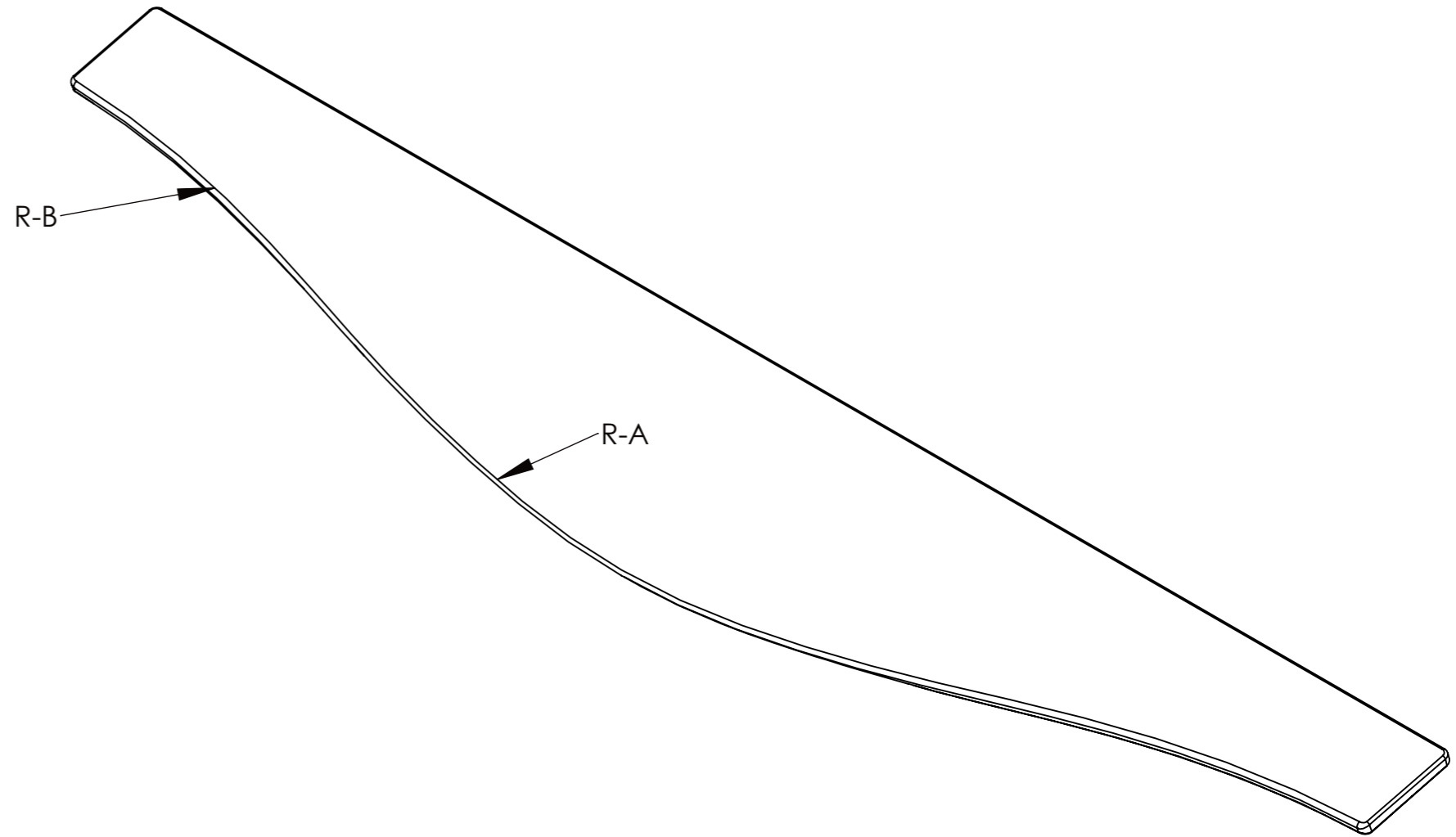


PART NO.	R-A	R-B	L
416420145	67	67	145
416420146	67	67	146
416420189	108	108	189
416420195	117	117	195
416420196	117	117	196
416420215	140	139	215
416420216	143	141	216
416420217	145	143	217
416420218	145	143	218
416420219	146,5	144,5	219
416420220	147	145	220
416420223	151	149	223
416420225	155	152	225
416420226	156	153	226
416420235	167	165	235
416420241	176	173	241
416420245	178	175	245
416420270	222	215	270
416420275	231	223	275
416420278	237	230	278
416420295	265	260	295
416420296	265	260	296
416420311	285	275	311
416420315	301	292	315
416420316	304	295	316
416420317	307	297	317
416420318	307	297	318
416420319	310	300	319
416420320	310	300	320
416420321	313	302	321
416420323	316	305	323
416420325	319	308	325
416420326	323	312	326
416420330	328	313	330
416420335	340	328	335
416420336	344	332	336
416420341	354	341	341
416420345	365	350	345
416420346	365	350	346
416420358	393	378	358
416420360	393	378	360
416420376	428	411	376
416420385	455	435	385
416420395	480	460	395
416420396	480	460	396
416420411	515	492	411
416420445	610	580	445
416420446	610	580	446
416420495	750	710	495
416420496	750	710	496
416420516	810	755	516
416420545	900	855	545
416420546	900	855	546
416420563	955	905	563
416420576	1005	940	576
416420595	1080	1020	595
416420596	1080	1020	596
416420645	1250	1195	645
416420674	1370	1320	674
416420695	1470	1415	695
416420696	1470	1415	696
416420744	1670	1590	744
416420746	1675	1590	746
416420756	1760	1690	756
416420760	1765	1695	760
416420776	1833	1723	776
416420795	1925	1815	795
416420796	1925	1815	796
416420845	2150	2030	845
416420895	2330	2200	895
416420896	2330	2200	896
416420915	2520	2380	915
416420945	2690	2540	945
416420995	3000	2840	995
416420996	3000	2840	996
4164201094	3620	3430	1094
4164201095	3620	3430	1095
4164201195	4290	4060	1195
4164201196	4290	4060	1196
4164201295	5050	4800	1295
4164201495	6760	6420	1495
4164201596	7700	7350	1596
4164201796	9480	9100	1796

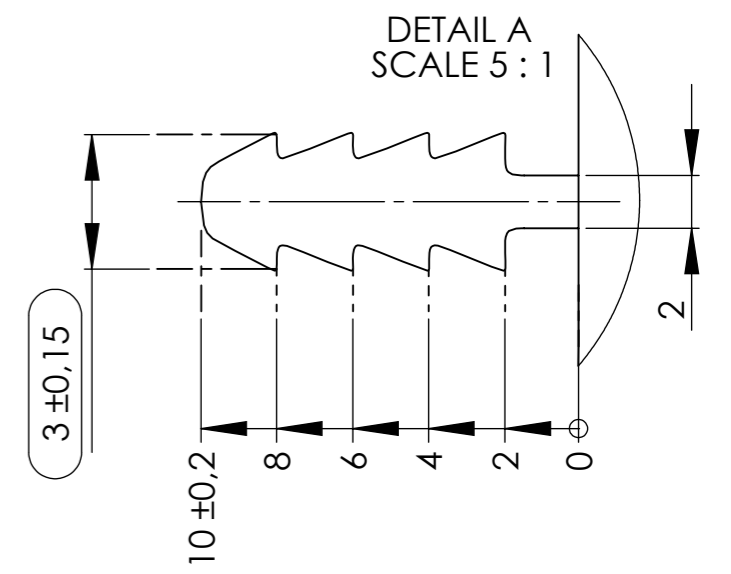
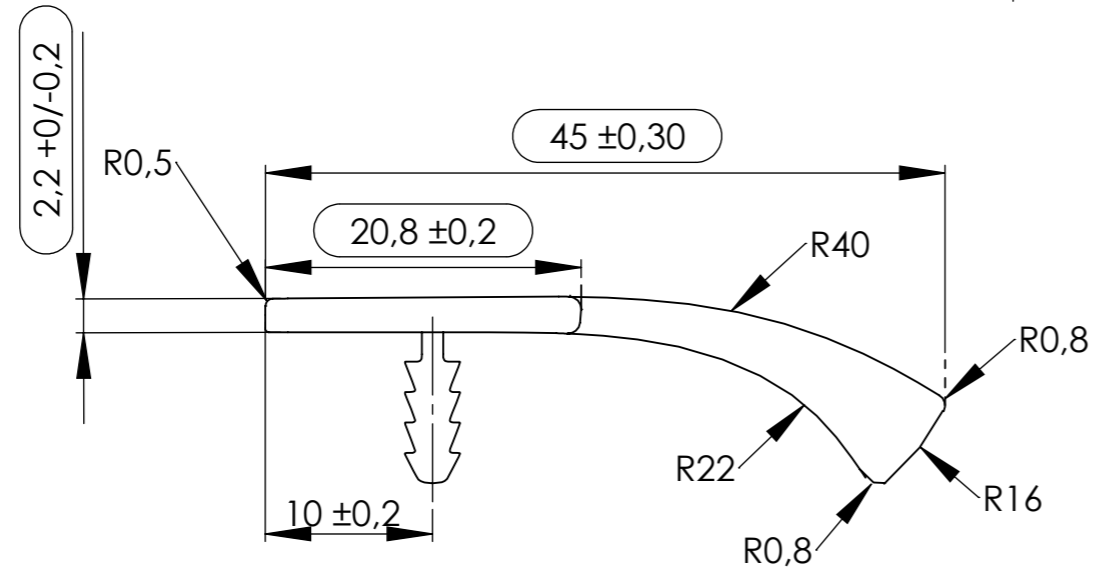
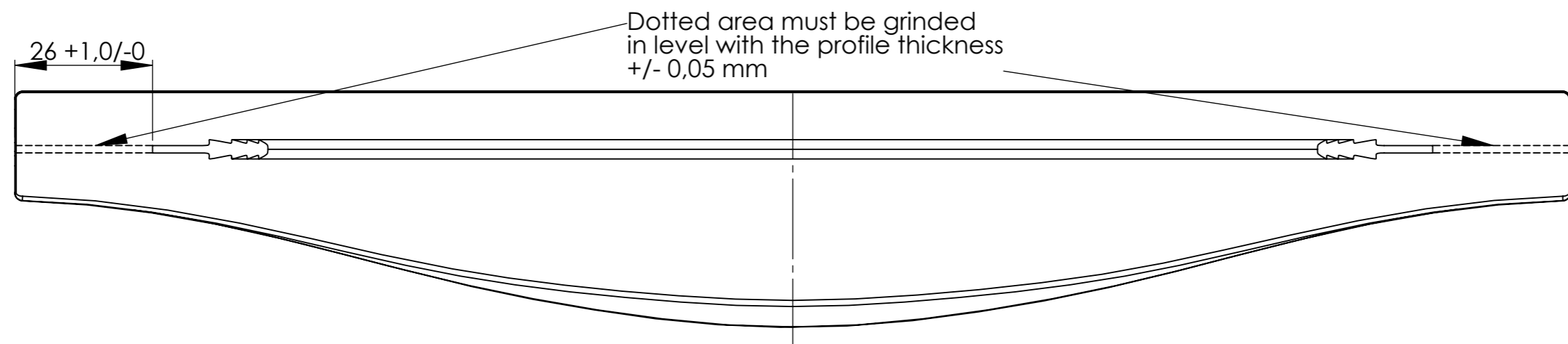
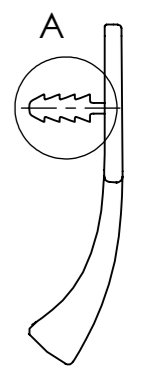
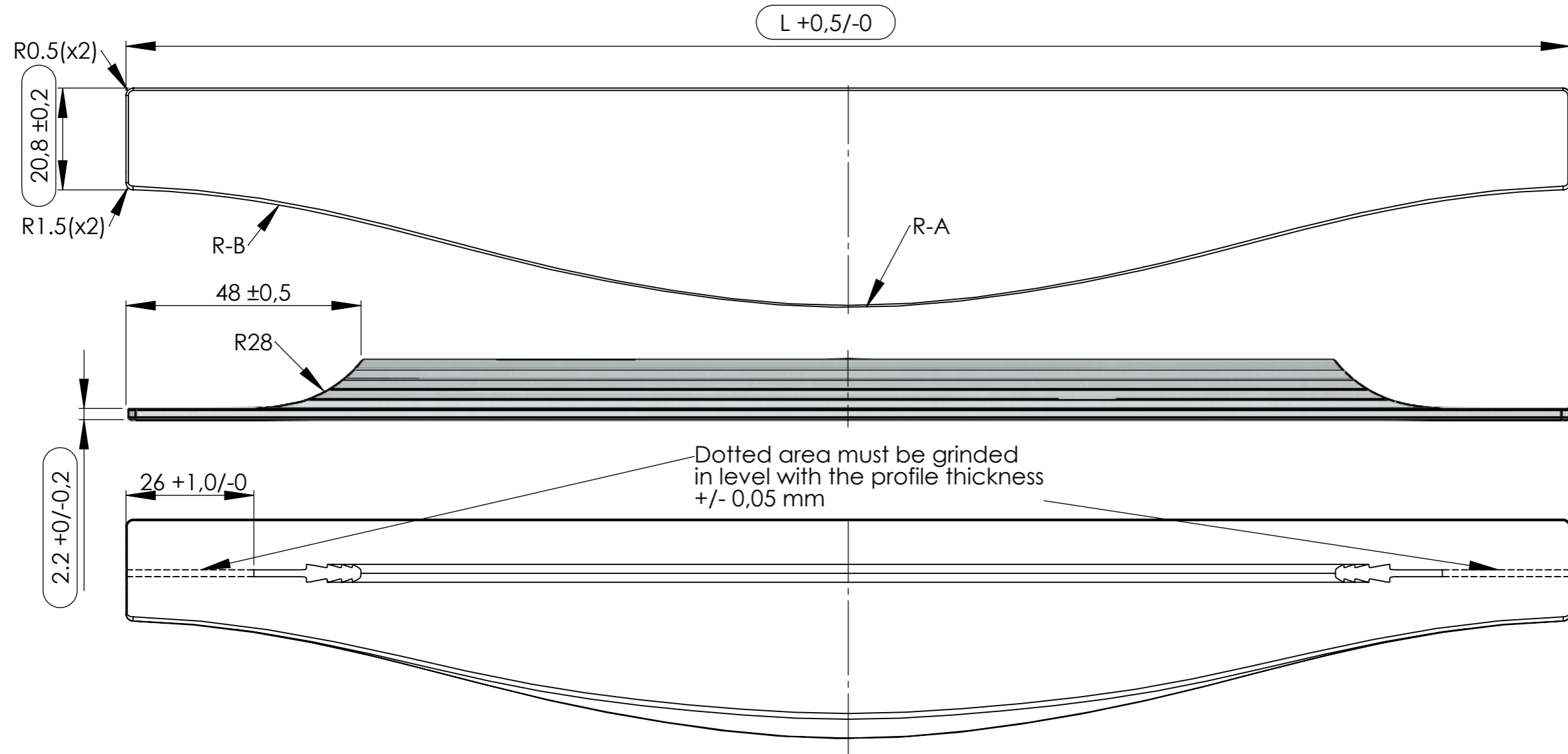
PART NO.	R-A	R-B	L
416420208	147	145	208
416420230	156	153	230
416420240	174,8	171,5	240
416420266	214,5	209,8	266
416420271	222,6	217,6	271
416420293	265	260	293
416420308	285	275	308
416420330	328	313	330
416420338	347	335	338
416420441	590	560	441
416420452	620	595	452
416420457	630	600	457
416420460	636	603	460
416420464	665	625	464
416420468	665	625	468
416420480	690	655	480
416420544	900	855	544
416420560	955	905	560
416420570	985	925	570
416420616	1130	1085	616
416420626	1130	1085	626
416420646	1270	1204	646
416420655	1290	1210	655
416420666	1325	1275	666
416420672	1365	1305	672
416420716	1535	1470	716
416420757	1760	1690	757
416420759	1770	1700	759
416420768	1780	1705	768
416420870	2280	2150	870
416420875	2300	2190	875
416420876	2300	2190	876
416420883	2320	2190	883
416420908	2495	2345	908
416420910	2506	2355	910
416420964	2800	2650	964
4164209765	2875	2715	976,5
4164201436	6200	5900	1436
4164202112	12600	12000	2112

2U



Rev.:	Date:	Name:	Description:
2U	05-02-2021	MCH	New length added (452)
2T	22-01-2021	MCH	New length added (646 and 910) length 908 corrected
2S	04-11-2020	MCH	New length added (266 and 271)
2R	10-09-2020	MCH	New length added (776)

Part name: MALIBU 2	Projection: 	Sheet format: A3	Tolerance unless otherwise specified DS/ISO 2768-1M Linear dimensions: 0-3 ±0,1 3-6 ±0,1 6-30 ±0,2 30-120 ±0,3 120-400 ±0,5 400-1000 ±0,8 1000-2000 ±1,2				
Designer:	Drawn by: ps date 11.06.2011	Scale: 1:1					
Part no.: 416420xxx	Material: Aluminium	Sheet 1 of 3	Weight:				
COPYRIGHT: THIS DRAWING MAY NOT BE COPIED OR REPRODUCED IN ANY WAY WITHOUT DIRECT PERMISSION FROM FURNIPART A/S			<table border="1"> <tr> <td>Angle</td> <td>±0,5°</td> </tr> <tr> <td>Radius</td> <td>±5%</td> </tr> </table> Delta 2 Phone: +45 87 64 35 00 DK-8382 Hinnerup E-mail: fp@furnipart.com	Angle	±0,5°	Radius	±5%
Angle	±0,5°						
Radius	±5%						

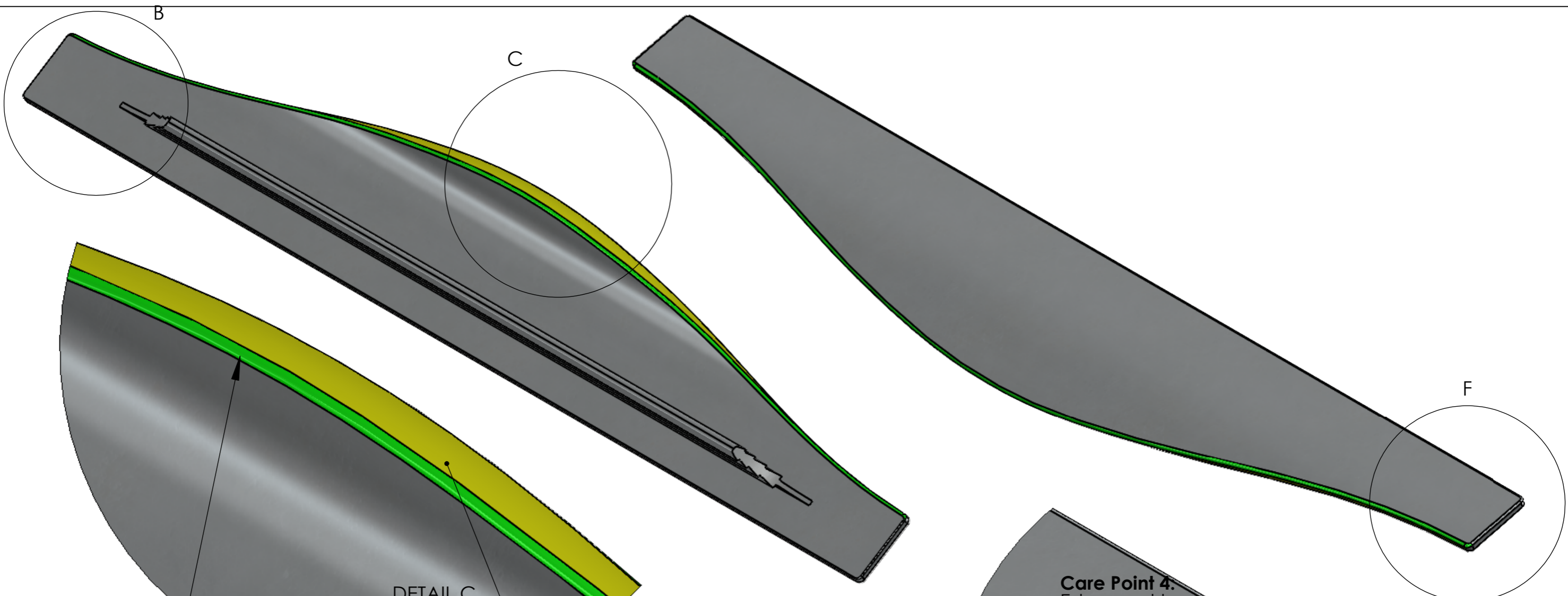


The tolerances for bend, on the total length.
The following tolerances are valid at the maximum:

- < 600mm: 0,3mm
- 600-1.200mm: 0,5mm
- > 1.200mm: 0,8mm

Rev.:	Date:	Name:	Description:
2U	05-02-2021	MCH	New length added (452)
2T	22-01-2021	MCH	New lenght added (646 and 910) length 908 corrected
2S	04-11-2020	MCH	New length added (266 and 271)
2R	10-09-2020	MCH	New lenght added (776)

Part name: MALIBU 2	Projection: 	Sheet format: A3	Tolerance unless otherwise specified DS/ISO 2768-1M <table border="1" style="font-size: small;"> <tr> <th>Linear dimensions:</th> <th>0-3</th> <th>3-6</th> <th>6-30</th> <th>30-120</th> <th>120-400</th> <th>400-1000</th> <th>1000-2000</th> </tr> <tr> <td></td> <td>± 0.1</td> <td>± 0.1</td> <td>± 0.2</td> <td>± 0.3</td> <td>± 0.5</td> <td>± 0.8</td> <td>± 1.2</td> </tr> </table>	Linear dimensions:	0-3	3-6	6-30	30-120	120-400	400-1000	1000-2000		± 0.1	± 0.1	± 0.2	± 0.3	± 0.5	± 0.8	± 1.2
Linear dimensions:	0-3	3-6		6-30	30-120	120-400	400-1000	1000-2000											
	± 0.1	± 0.1	± 0.2	± 0.3	± 0.5	± 0.8	± 1.2												
Customer:	Drawn by: ps date 11.06.2011	Scale: 1:1	<table border="1" style="font-size: small;"> <tr> <th>Angle</th> <th>Radius</th> </tr> <tr> <td>± 0.5°</td> <td>± 5%</td> </tr> </table>	Angle	Radius	± 0.5°	± 5%												
Angle	Radius																		
± 0.5°	± 5%																		
Part no.: 416420xxx	Page 2 of 3		 <small>Delta 2 DK-8382 Hinnerup Phone: +45 87 64 35 00 Fax: +45 87 64 35 01</small>																
Material: Aluminium	Weight:																		
COPYRIGHT: THIS DRAWING MAY NOT BE COPIED OR REPRODUCED IN ANY WAY WITHOUT DIRECT PERMISSION FROM FURNIPART A/S																			



Care Point 1:
The entire back edge (marked green) must have radius 0.5 to 0.8 and don't feel sharp

DETAIL C
SCALE 3 : 1

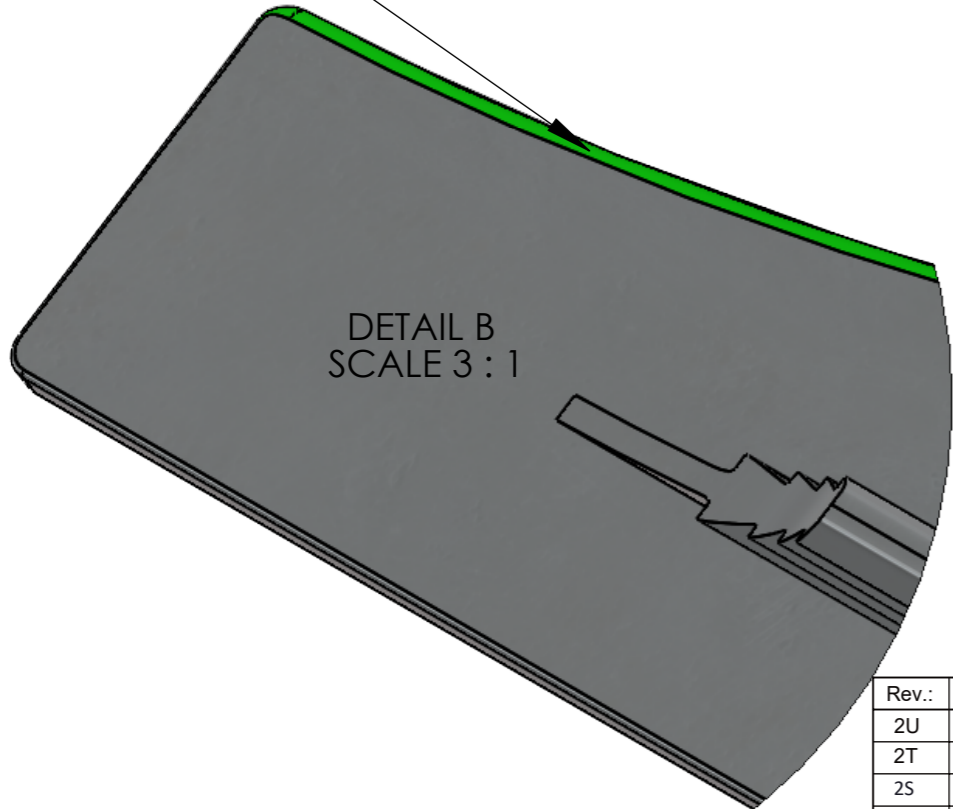
Care Point 4:
Edge must be broken and don't feel sharp

Care Point 3:
The entire front edge (marked green) must have radius 0.5 to 0.8 and don't feel sharp

Care Point 5:
This corner R0.5 in both ends and don't feel sharp

DETAIL B
SCALE 3 : 1

Care Point 2:
Surface marked yellow must be completely even after polishing (small waves are not allowed)



Part name: MALIBU 2	Projection: 	Sheet format: A3	Tolerance unless otherwise specified DS/ISO 2768-1M Linear dimensions: 0-3 ± 0.1 3-6 ± 0.1 6-30 ± 0.2 30-120 ± 0.3 120-400 ± 0.5 400-1000 ± 0.8 1000-2000 ± 1.2
Customer:	Drawn by: ps date 11.06.2011	Scale: 1:1	
Part no.: 416420xxx	Page 3 of 3	Weight:	Angle: ± 0.5° Radius: ± 5%
Material: Aluminium			Delta 2 Phone: +45 87 64 35 00 DK-8382 Hinnerup Fax: +45 87 64 35 01

Rev.:	Date:	Name:	Description:
2U	05-02-2021	MCH	New length added (452)
2T	22-01-2021	MCH	New length added (646 and 910) length 908 corrected
2S	04-11-2020	MCH	New length added (266 and 271)
2R	10-09-2020	MCH	New length added (776)