

PART NO.	L	No. of holes	C/C 1	C/C 2
419720040	40	2		20
419720100	100	2		60
419720120	120	2		80
419720140	140	2		96
419720200	200	3	80	
419720280	280	3	80	
419720350	350	3	160	
419720390	390	3	160	
419720445	445	3	160	
419720590	590	4	160	
419720596	596	4	160	
419720600	600	4	160	
419720895	895	6	160	
419720991	991	3	396	
4197201038	1038	4	336	△
4197201050	1050	7	160	
4197201200	1200	7	160	
4197201923	1923	7	315,5	△
4197202179	2179	8	307	△

Rev.:	Date:	Name:	Description:
K	28-09-2021	MCH	Length 600 added
J	31-08-2021	MCH	Length 600 added
I	18-12-2020	MCH	Length 1038 and 1923 added C/C changed on length 2179
H	08-10-2020	MCH	New length added (911 and 2179)

Part name: **EDGE STRAIGHT**

Projection:

Sheet format: **A4**

Scale: **1:1.2**

Customer:

Part no.: **419720xxx**

Material: **Aluminium**

Weight: **62 grams**

Drawn by: **ps date 22.10.2012**

Page 1 of 6

Tolerance unless otherwise specified DS/ISO 2768-1M

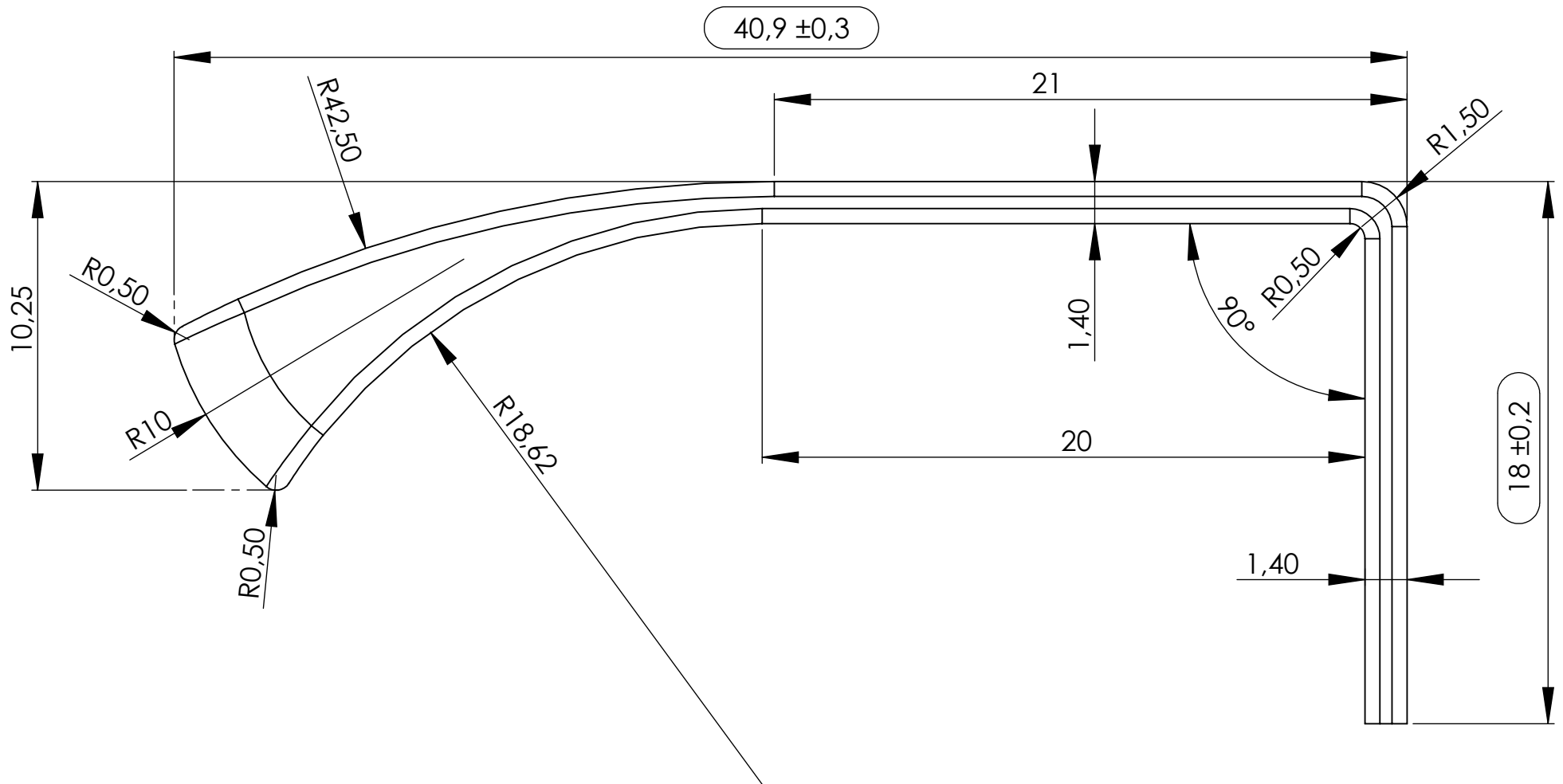
Linear dimensions:	0-3	3-6	6-30	30-120	120-400	400-1000	1000-2000
	± 0.1	± 0.1	± 0.2	± 0.3	± 0.5	± 0.8	± 1.2

Angle	Radius
± 0.5°	± 5%

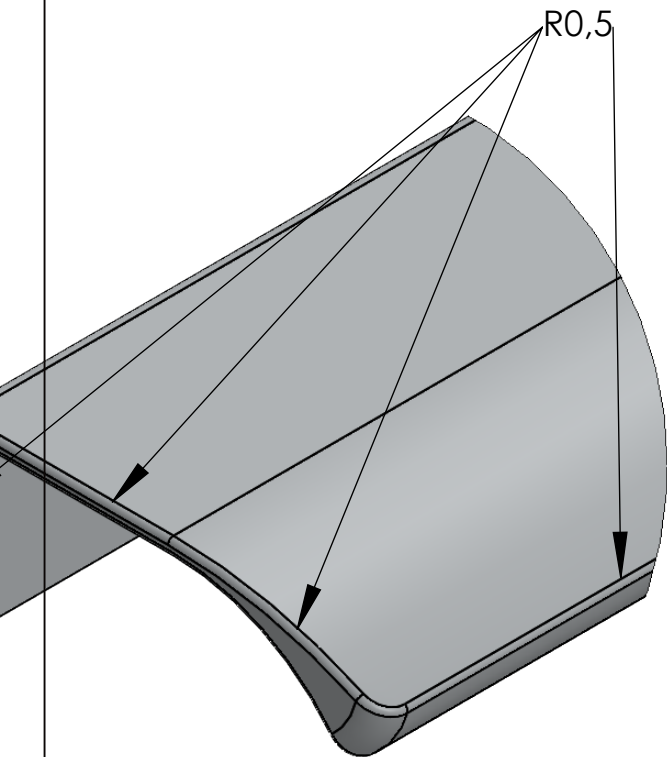
**furnipart®**

Delta 2 Phone: +45 87 64 35 00  
DK-8382 Hinnerup Fax: +45 87 64 35 01

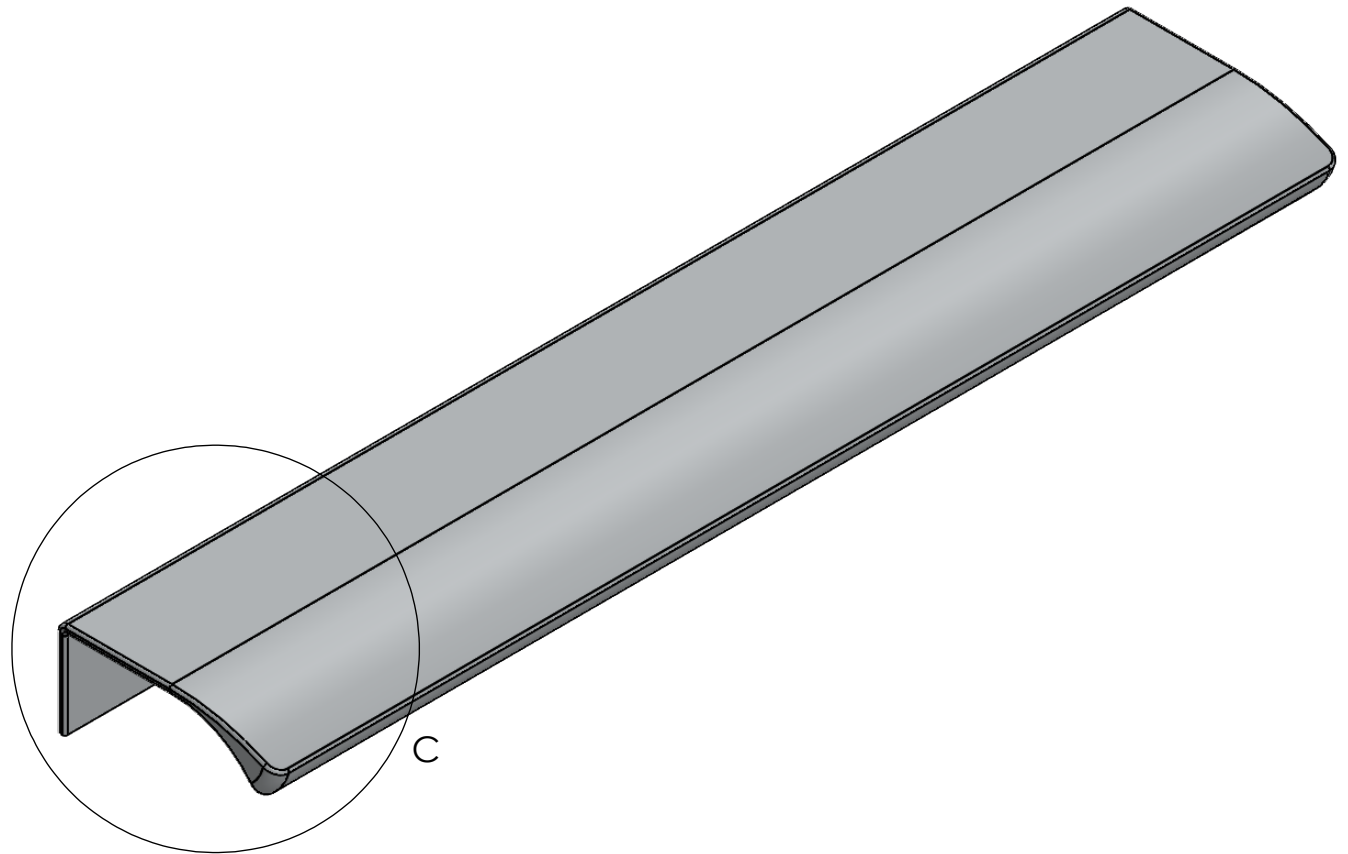


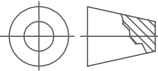

Part name: <b>EDGE STRAIGHT</b>	Projection: 	Sheet format: <b>A4</b>	Tolerance unless otherwise specified DS/ISO 2768-1M																	
Customer:	Drawn by: <b>ps date 22.10.2012</b>	Scale: <b>5:1</b>	<table border="1"> <tr> <td>Linear dimensions:</td> <td>0-3</td> <td>3-6</td> <td>6-30</td> <td>30-120</td> <td>120-400</td> <td>400-1000</td> <td>1000-2000</td> </tr> <tr> <td></td> <td><math>\pm 0.1</math></td> <td><math>\pm 0.1</math></td> <td><math>\pm 0.2</math></td> <td><math>\pm 0.3</math></td> <td><math>\pm 0.5</math></td> <td><math>\pm 0.8</math></td> <td><math>\pm 1.2</math></td> </tr> </table>		Linear dimensions:	0-3	3-6	6-30	30-120	120-400	400-1000	1000-2000		$\pm 0.1$	$\pm 0.1$	$\pm 0.2$	$\pm 0.3$	$\pm 0.5$	$\pm 0.8$	$\pm 1.2$
Linear dimensions:	0-3	3-6	6-30	30-120	120-400	400-1000	1000-2000													
	$\pm 0.1$	$\pm 0.1$	$\pm 0.2$	$\pm 0.3$	$\pm 0.5$	$\pm 0.8$	$\pm 1.2$													
Part no.: <b>419720xxx</b>	Material: <b>Aluminium</b>	Weight: <b>62 grams</b>	<table border="1"> <tr> <td>Angle</td> <td>Radius</td> <td></td> <td></td> </tr> <tr> <td><math>\pm 0.5^\circ</math></td> <td><math>\pm 5\%</math></td> <td></td> <td></td> </tr> </table>		Angle	Radius			$\pm 0.5^\circ$	$\pm 5\%$										
Angle	Radius																			
$\pm 0.5^\circ$	$\pm 5\%$																			
Page 2 of 6																				
<table border="1"> <tr> <td>Delta 2</td> <td>Phone: +45 87 64 35 00</td> </tr> <tr> <td>DK-8382 Hinnerup</td> <td>Fax: +45 87 64 35 01</td> </tr> </table>		Delta 2	Phone: +45 87 64 35 00	DK-8382 Hinnerup	Fax: +45 87 64 35 01															
Delta 2	Phone: +45 87 64 35 00																			
DK-8382 Hinnerup	Fax: +45 87 64 35 01																			

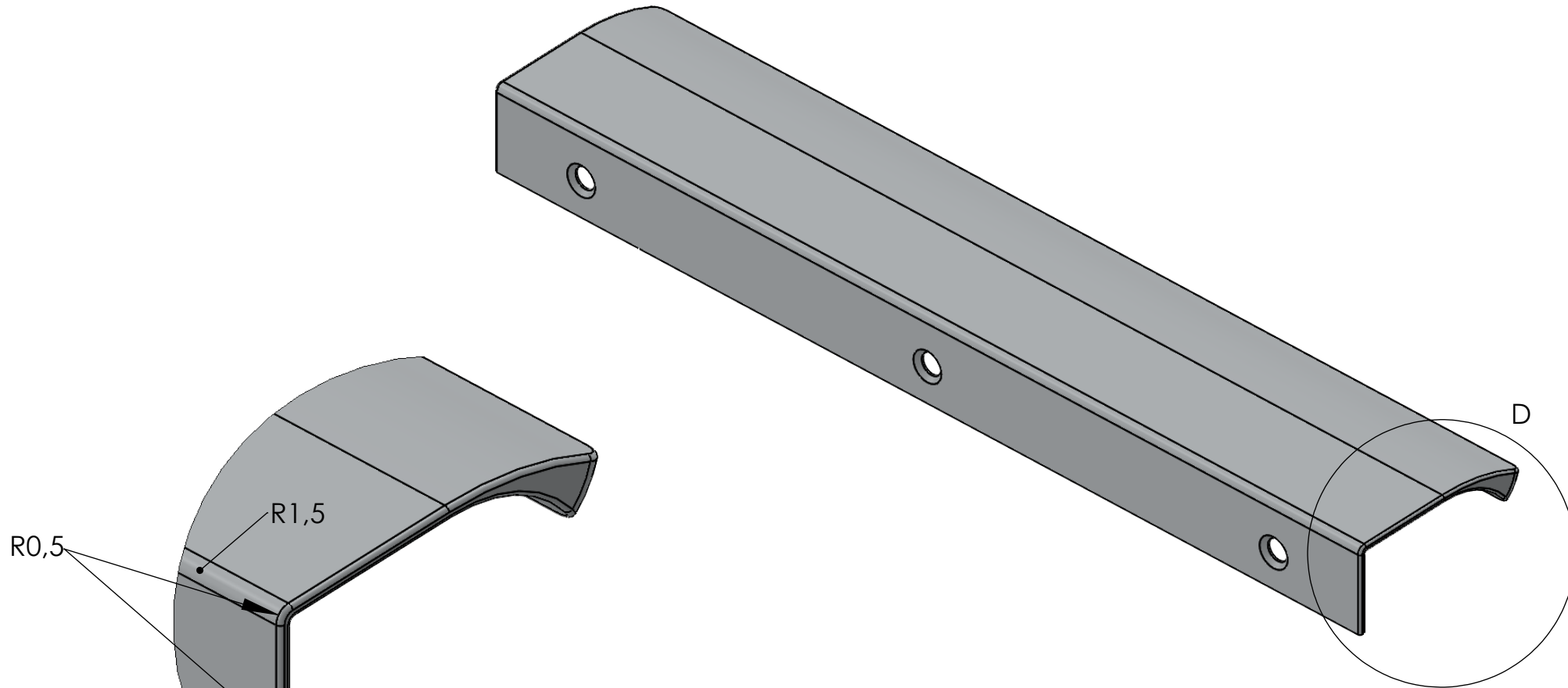
Rev.:	Date:	Name:	Description:
K	28-09-2021	MCH	Length 600 added
J	31-08-2021	MCH	Length 600 added
I	18-12-2020	MCH	Length 1038 and 1923 added C/C changed on length 2179
H	08-10-2020	MCH	New length added (911 and 2179)



DETAIL C  
SCALE 2 : 1



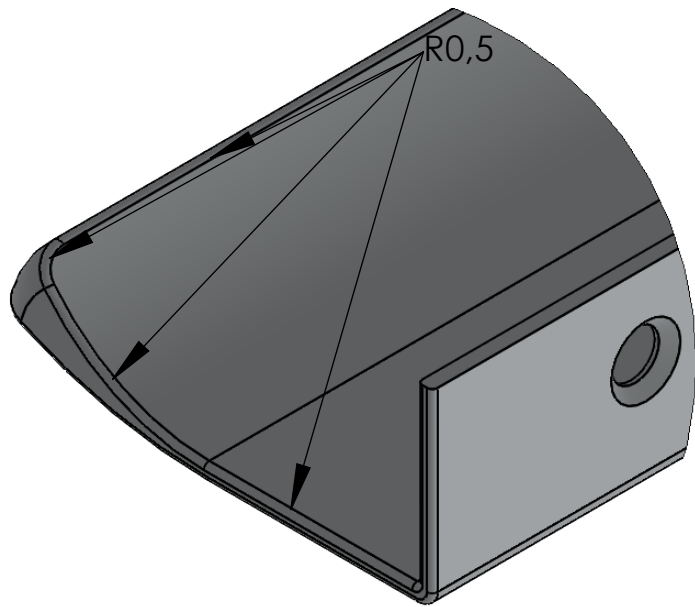
Part name: <b>EDGE STRAIGHT</b>		Projection: 	Sheet format: <b>A4</b>	Tolerance unless otherwise specified DS/ISO 2768-1M																				
Customer:		Drawn by: <b>ps date 22.10.2012</b>	Scale: <b>1:1</b>	<table border="1"> <tr> <td>Linear dimensions:</td> <td>0-3</td> <td>3-6</td> <td>6 - 30</td> <td>30- 120</td> <td>120- 400</td> <td>400- 1000</td> <td>1000- 2000</td> </tr> <tr> <td></td> <td>± 0.1</td> <td>± 0.1</td> <td>± 0.2</td> <td>± 0.3</td> <td>± 0.5</td> <td>± 0.8</td> <td>± 1.2</td> </tr> </table>					Linear dimensions:	0-3	3-6	6 - 30	30- 120	120- 400	400- 1000	1000- 2000		± 0.1	± 0.1	± 0.2	± 0.3	± 0.5	± 0.8	± 1.2
Linear dimensions:	0-3	3-6	6 - 30	30- 120	120- 400	400- 1000	1000- 2000																	
	± 0.1	± 0.1	± 0.2	± 0.3	± 0.5	± 0.8	± 1.2																	
Part no.: <b>419720xxx</b>		Page 3 of 6		<table border="1"> <tr> <td>Angle</td> <td>Radius</td> <td></td> <td></td> </tr> <tr> <td>± 0.5°</td> <td>± 5%</td> <td></td> <td></td> </tr> </table>					Angle	Radius			± 0.5°	± 5%										
Angle	Radius																							
± 0.5°	± 5%																							
Material: <b>Aluminium</b>		Weight: <b>62 grams</b>		 Delta 2 Phone: +45 87 64 35 00 DK-8382 Hinnerup Fax: +45 87 64 35 01																				
Rev.: K 28-09-2021 MCH Length 600 added J 31-08-2021 MCH Length 600 added I 18-12-2020 MCH Length 1038 and 1923 added C/C changed on length 2179 H 08-10-2020 MCH New length added (911 and 2179)		Copyright: THIS DRAWING MAY NOT BE COPIED OR REPRODUCED IN ANY WAY WITHOUT DIRECT PERMISSION FROM FURNIPART A/S																						



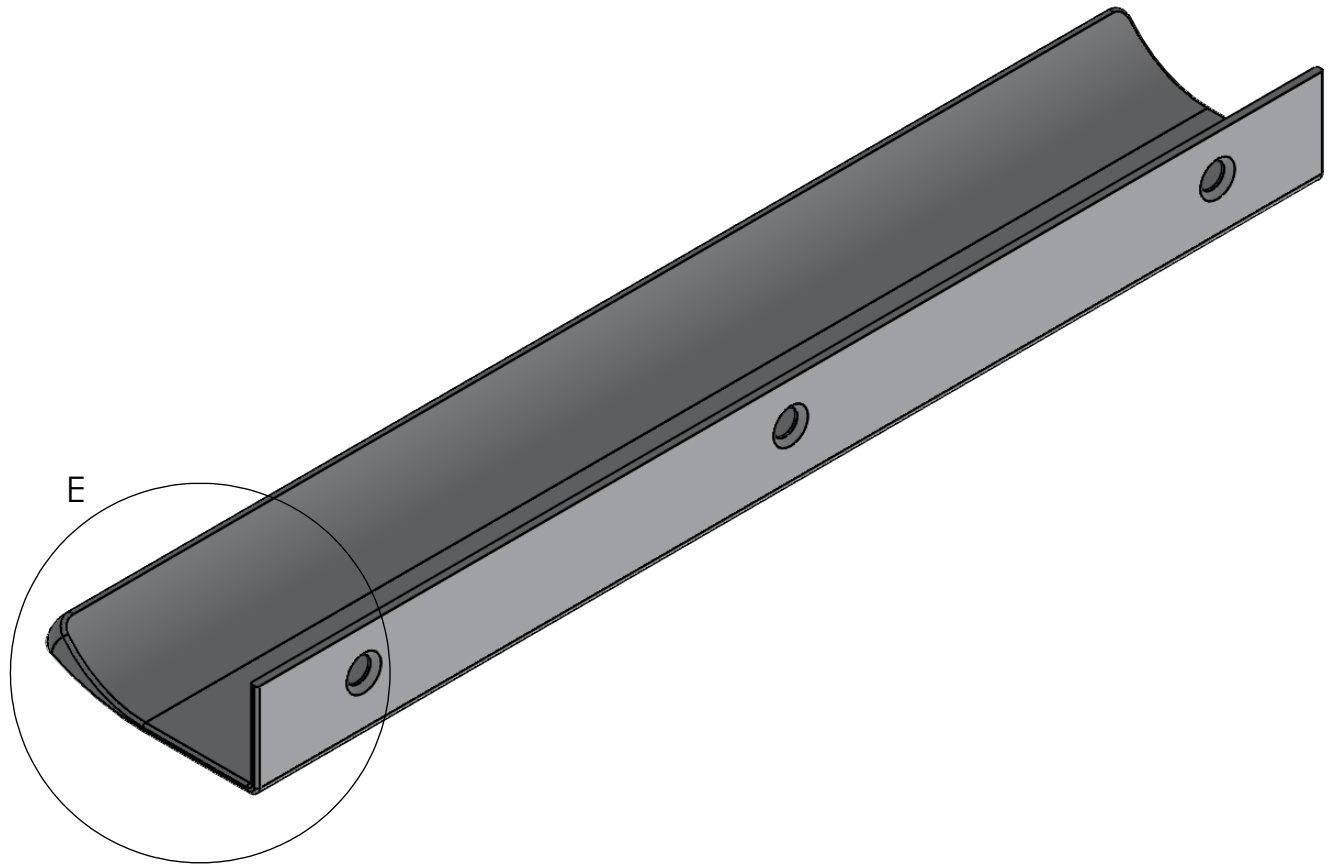
DETAIL D  
SCALE 2 : 1

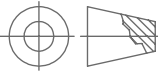

Part name: <b>EDGE STRAIGHT</b>	Projection: 	Sheet format: <b>A4</b>	Tolerance unless otherwise specified DS/ISO 2768-1M																			
Customer:	Drawn by: <b>ps date 22.10.2012</b>	Scale: <b>1:1</b>	<table border="1"> <tr> <td>Linear dimensions:</td> <td>0-3</td> <td>3-6</td> <td>6-30</td> <td>30-120</td> <td>120-400</td> <td>400-1000</td> <td>1000-2000</td> </tr> <tr> <td></td> <td>± 0.1</td> <td>± 0.1</td> <td>± 0.2</td> <td>± 0.3</td> <td>± 0.5</td> <td>± 0.8</td> <td>± 1.2</td> </tr> </table>				Linear dimensions:	0-3	3-6	6-30	30-120	120-400	400-1000	1000-2000		± 0.1	± 0.1	± 0.2	± 0.3	± 0.5	± 0.8	± 1.2
Linear dimensions:	0-3	3-6	6-30	30-120	120-400	400-1000	1000-2000															
	± 0.1	± 0.1	± 0.2	± 0.3	± 0.5	± 0.8	± 1.2															
Part no.: <b>419720xxx</b>	Material: <b>Aluminium</b>	Weight: <b>62 grams</b>	<table border="1"> <tr> <td>Angle</td> <td>Radius</td> <td></td> <td></td> </tr> <tr> <td>± 0.5°</td> <td>± 5%</td> <td></td> <td></td> </tr> </table>				Angle	Radius			± 0.5°	± 5%										
Angle	Radius																					
± 0.5°	± 5%																					
Page 4 of 6																						
Delta 2 DK-8382 Hinnerup																						
Phone: +45 87 64 35 00 Fax: +45 87 64 35 01																						

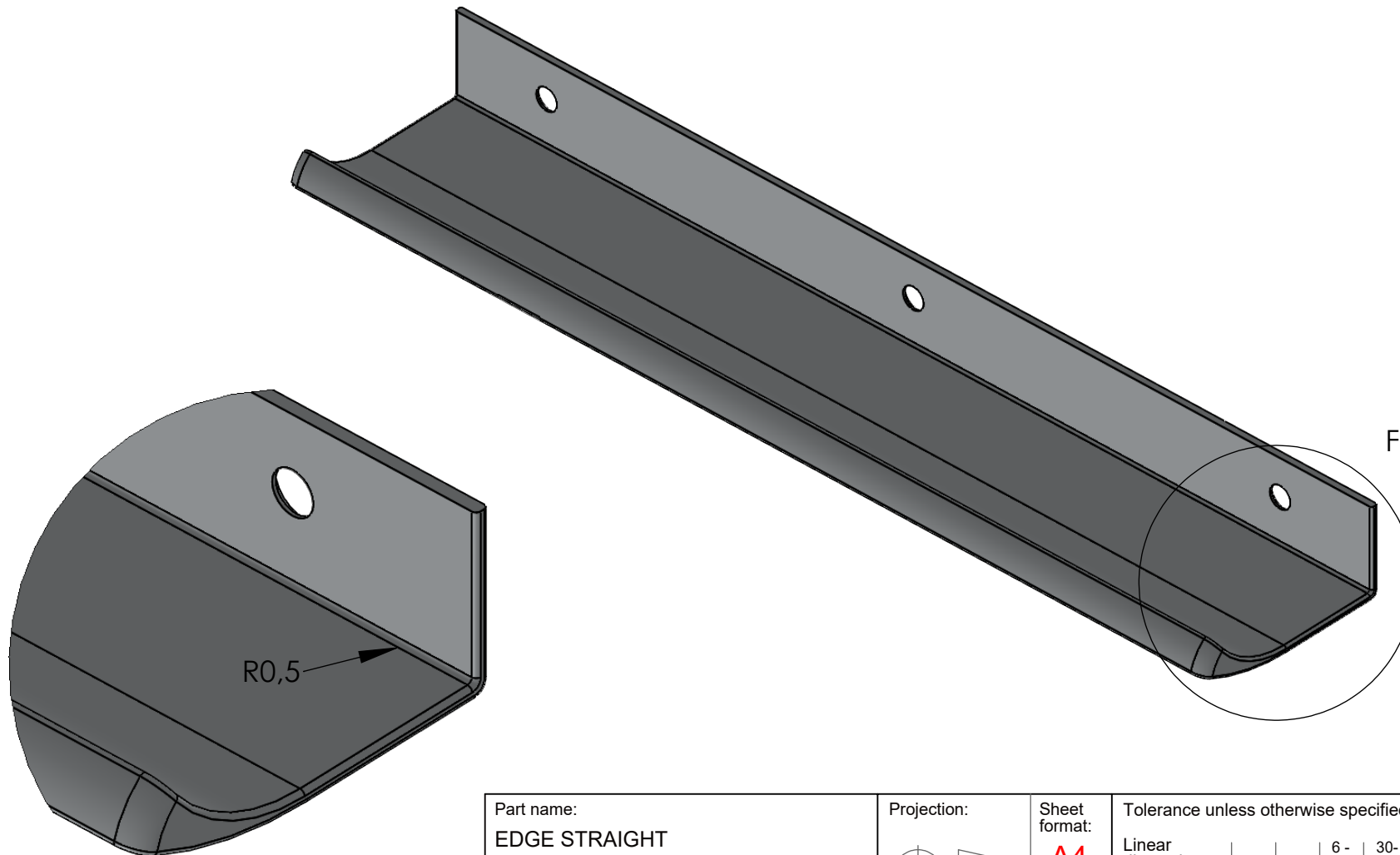
Rev.:	Date:	Name:	Description:
K	28-09-2021	MCH	Length 600 added
J	31-08-2021	MCH	Length 600 added
I	18-12-2020	MCH	Length 1038 and 1923 added C/C changed on length 2179
H	08-10-2020	MCH	New length added (911 and 2179)



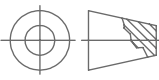
DETAIL E  
SCALE 2 : 1



Part name: <b>EDGE STRAIGHT</b>	Projection: 	Sheet format: <b>A4</b>	Tolerance unless otherwise specified DS/ISO 2768-1M																			
Customer:	Drawn by: <b>ps date 22.10.2012</b>	Scale: <b>1:1</b>	<table border="1"> <tr> <td>Linear dimensions:</td> <td>0-3</td> <td>3-6</td> <td>6 - 30</td> <td>30- 120</td> <td>120- 400</td> <td>400- 1000</td> <td>1000- 2000</td> </tr> <tr> <td></td> <td>± 0.1</td> <td>± 0.1</td> <td>± 0.2</td> <td>± 0.3</td> <td>± 0.5</td> <td>± 0.8</td> <td>± 1.2</td> </tr> </table>				Linear dimensions:	0-3	3-6	6 - 30	30- 120	120- 400	400- 1000	1000- 2000		± 0.1	± 0.1	± 0.2	± 0.3	± 0.5	± 0.8	± 1.2
Linear dimensions:	0-3	3-6	6 - 30	30- 120	120- 400	400- 1000	1000- 2000															
	± 0.1	± 0.1	± 0.2	± 0.3	± 0.5	± 0.8	± 1.2															
Part no.: <b>419720xxx</b>	Material: <b>Aluminium</b>	Weight: <b>62 grams</b>	<table border="1"> <tr> <td>Angle</td> <td>Radius</td> <td></td> <td></td> </tr> <tr> <td>± 0.5°</td> <td>± 5%</td> <td></td> <td></td> </tr> </table>				Angle	Radius			± 0.5°	± 5%										
Angle	Radius																					
± 0.5°	± 5%																					
Page 5 of 6		 Delta 2      Phone: +45 87 64 35 00 DK-8382 Hinnerup      Fax: +45 87 64 35 01																				
Rev.:	Date:					Name:	Description:															
K	28-09-2021	MCH	Length 600 added																			
J	31-08-2021	MCH	Length 600 added																			
I	18-12-2020	MCH	Length 1038 and 1923 added C/C changed on length 2179																			
H	08-10-2020	MCH	New length added (911 and 2179)																			



DETAIL F  
SCALE 2 : 1

Part name: <b>EDGE STRAIGHT</b>	Projection: 	Sheet format: <b>A4</b>	Tolerance unless otherwise specified DS/ISO 2768-1M																					
Customer:	Drawn by: <b>ps date 22.10.2012</b>	Scale: <b>1:1</b>	<table border="1"> <tr> <td>Linear dimensions:</td> <td>0-3</td> <td>3-6</td> <td>6-30</td> <td>30-120</td> <td>120-400</td> <td>400-1000</td> <td>1000-2000</td> </tr> <tr> <td></td> <td>± 0.1</td> <td>± 0.1</td> <td>± 0.2</td> <td>± 0.3</td> <td>± 0.5</td> <td>± 0.8</td> <td>± 1.2</td> </tr> </table>		Linear dimensions:	0-3	3-6	6-30	30-120	120-400	400-1000	1000-2000		± 0.1	± 0.1	± 0.2	± 0.3	± 0.5	± 0.8	± 1.2				
Linear dimensions:	0-3	3-6	6-30	30-120	120-400	400-1000	1000-2000																	
	± 0.1	± 0.1	± 0.2	± 0.3	± 0.5	± 0.8	± 1.2																	
Part no.: <b>419720xxx</b>	Material: <b>Aluminium</b>	Weight: <b>62 grams</b>	<table border="1"> <tr> <td>Angle</td> <td>Radius</td> <td></td> <td></td> </tr> <tr> <td>± 0.5°</td> <td>± 5%</td> <td></td> <td></td> </tr> </table>	Angle	Radius			± 0.5°	± 5%			<table border="1"> <tr> <td colspan="2"><b>furnipart®</b></td> </tr> <tr> <td>Delta 2 DK-8382 Hinnerup</td> <td>Phone: +45 87 64 35 00 Fax: +45 87 64 35 01</td> </tr> </table>	<b>furnipart®</b>		Delta 2 DK-8382 Hinnerup	Phone: +45 87 64 35 00 Fax: +45 87 64 35 01								
Angle	Radius																							
± 0.5°	± 5%																							
<b>furnipart®</b>																								
Delta 2 DK-8382 Hinnerup	Phone: +45 87 64 35 00 Fax: +45 87 64 35 01																							
<table border="1"> <tr> <td>Rev.:</td> <td>Date:</td> <td>Name:</td> <td>Description:</td> </tr> <tr> <td>K</td> <td>28-09-2021</td> <td>MCH</td> <td>Length 600 added</td> </tr> <tr> <td>J</td> <td>31-08-2021</td> <td>MCH</td> <td>Length 600 added</td> </tr> <tr> <td>I</td> <td>18-12-2020</td> <td>MCH</td> <td>Length 1038 and 1923 added C/C changed on length 2179</td> </tr> <tr> <td>H</td> <td>08-10-2020</td> <td>MCH</td> <td>New length added (911 and 2179)</td> </tr> </table>		Rev.:	Date:	Name:	Description:	K	28-09-2021	MCH	Length 600 added	J	31-08-2021	MCH	Length 600 added	I	18-12-2020	MCH	Length 1038 and 1923 added C/C changed on length 2179	H	08-10-2020	MCH	New length added (911 and 2179)	Page 6 of 6	<p>Copyright: THIS DRAWING MAY NOT BE COPIED OR REPRODUCED IN ANY WAY WITHOUT DIRECT PERMISSION FROM FURNIPART A/S</p>	
Rev.:	Date:	Name:	Description:																					
K	28-09-2021	MCH	Length 600 added																					
J	31-08-2021	MCH	Length 600 added																					
I	18-12-2020	MCH	Length 1038 and 1923 added C/C changed on length 2179																					
H	08-10-2020	MCH	New length added (911 and 2179)																					