

PART NO.	L1	L2	Number of holes	C/C
419920040.2	40	9,3	2	20
419920200.2	200	169,3	3	80
419920350.2	350	319,3	3	160
Rev.:	Date:	Name:	Description:	

Part name:
EDGE ROUND

Customer:

Part no.: **419920xxx-xx.2**

Material:
Aluminium

Projection:

Sheet format:
A4

Scale:
1:1

Drawn by:
ikr date 03. september 2015

Page 1 of 6

Weight:
52,19 grams

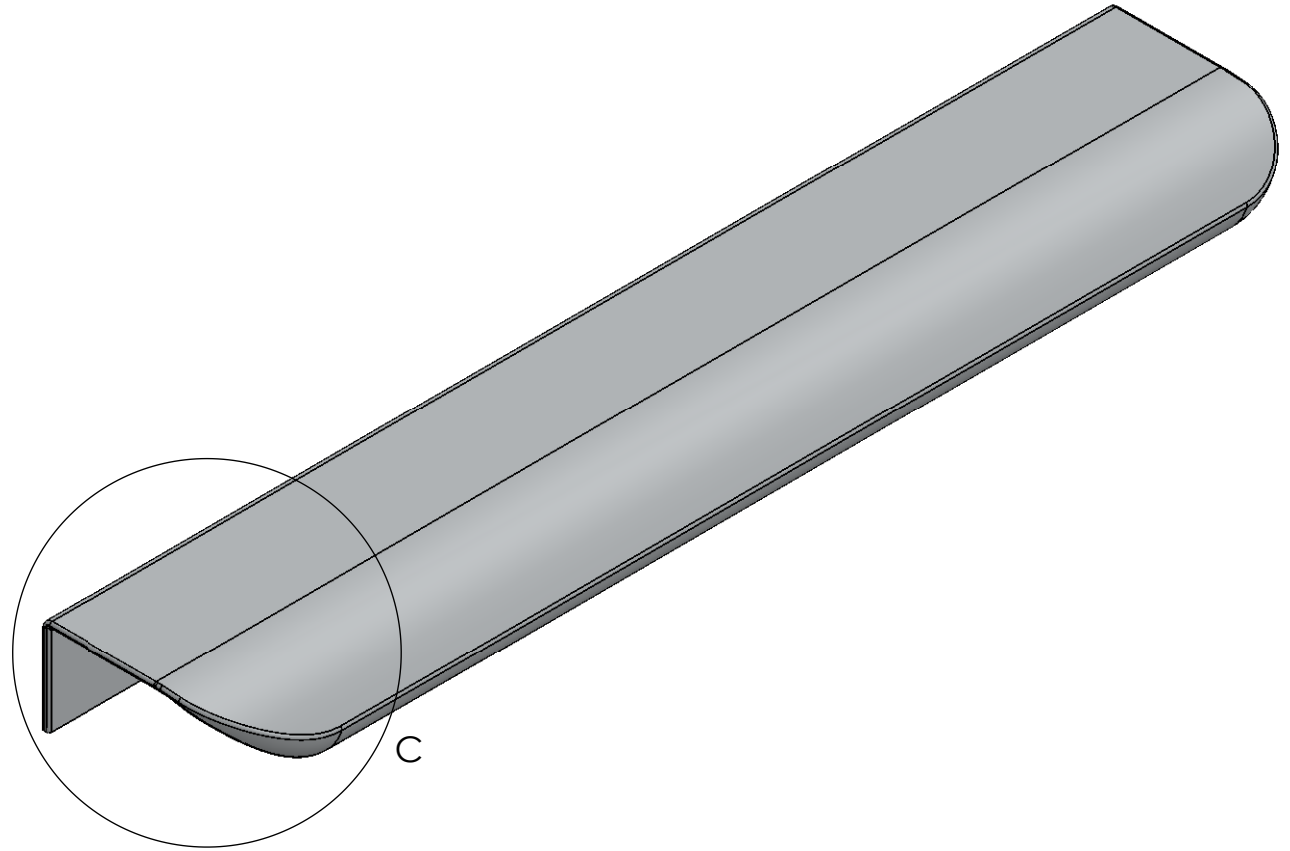
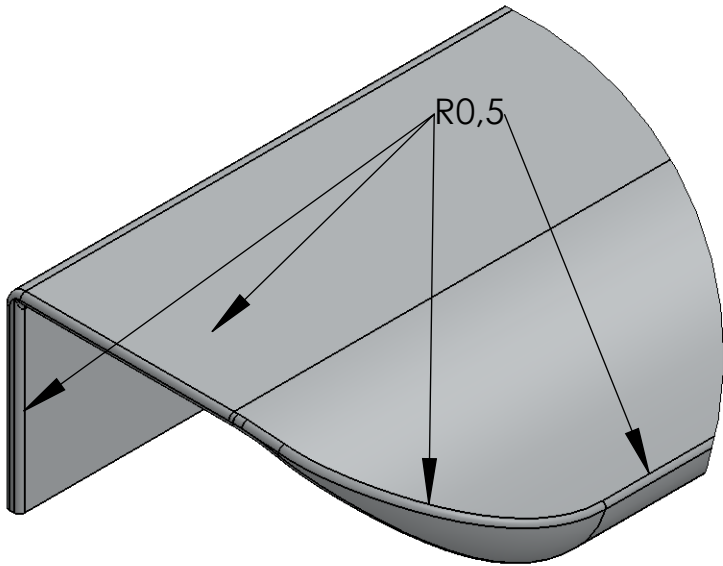
Tolerance unless otherwise specified DS/ISO 2768-1M

Linear dimensions:	0-3	3-6	6-30	30-120	120-400	400-1000	1000-2000
	± 0.1	± 0.1	± 0.2	± 0.3	± 0.5	± 0.8	± 1.2

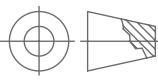

Angle	Radius		
± 0.5°	± 5%		

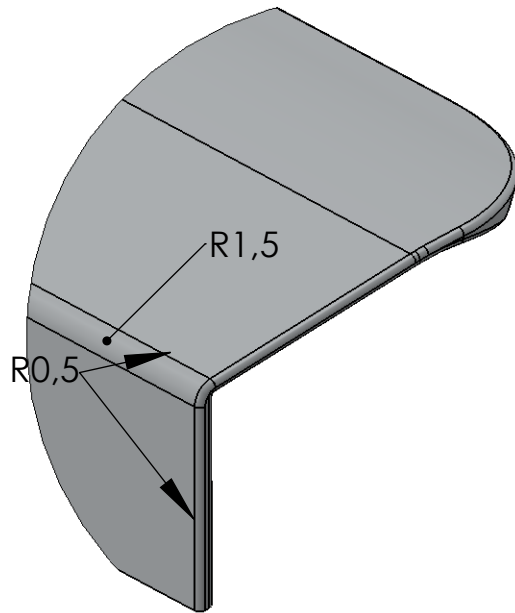
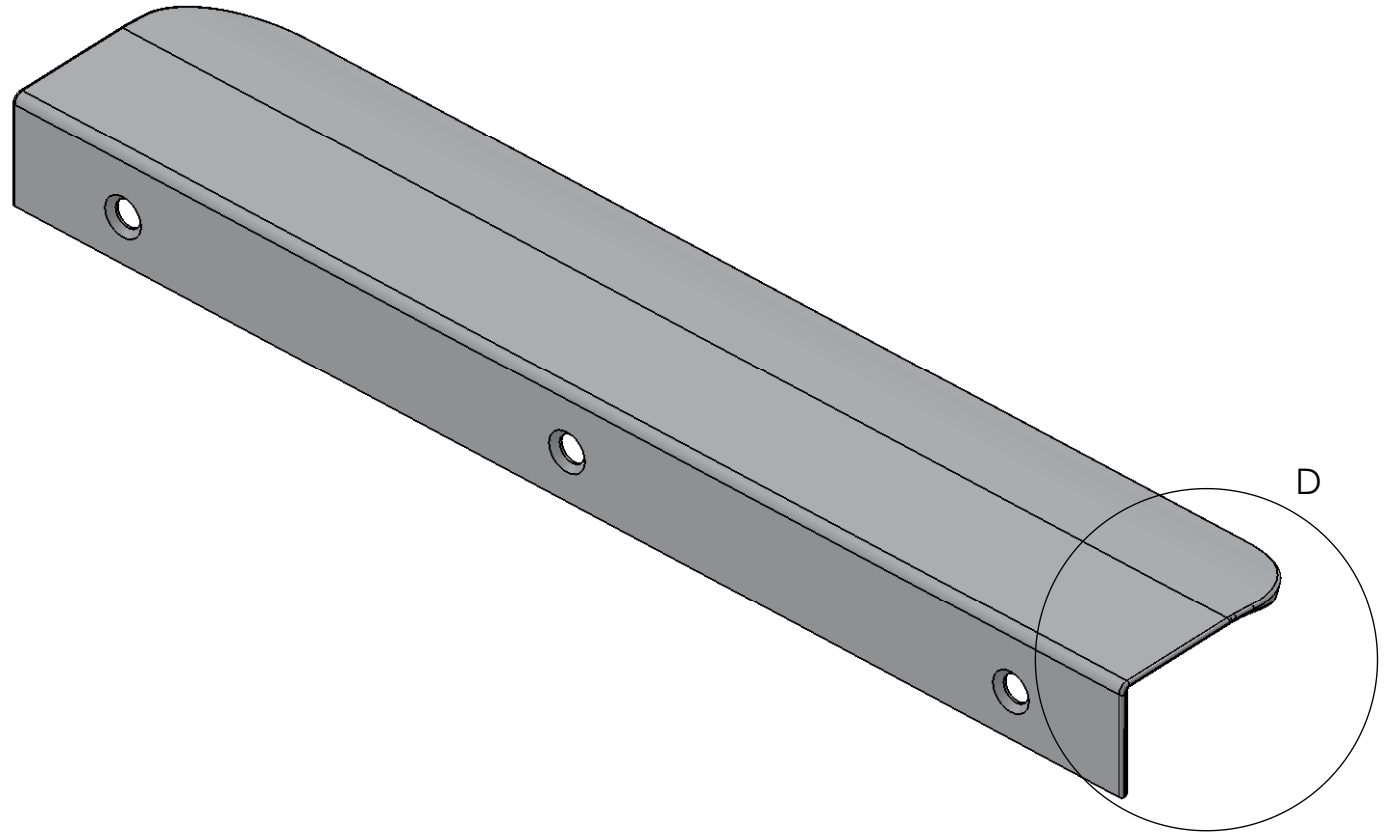
furnipart®

Delta 2 Phone: +45 87 64 35 00
DK-8382 Hinnerup Fax: +45 87 64 35 01

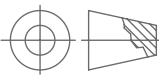



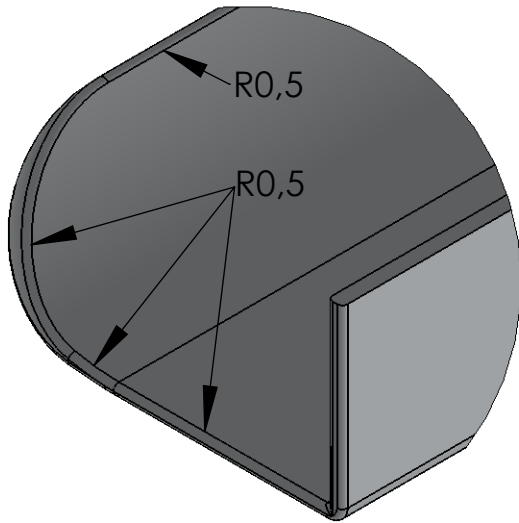
DETAIL C
SCALE 2 : 1

Part name: EDGE ROUND		Projection: 	Sheet format: A4	Tolerance unless otherwise specified DS/ISO 2768-1M																					
Customer:		Drawn by: ikr date 03. september 2015	Scale: 1:1	<table border="1"> <tr> <td>Linear dimensions:</td> <td>0-3</td> <td>3-6</td> <td>6 - 30</td> <td>30- 120</td> <td>120- 400</td> <td>400- 1000</td> <td>1000- 2000</td> </tr> <tr> <td></td> <td>± 0.1</td> <td>± 0.1</td> <td>± 0.2</td> <td>± 0.3</td> <td>± 0.5</td> <td>± 0.8</td> <td>± 1.2</td> </tr> </table>					Linear dimensions:	0-3	3-6	6 - 30	30- 120	120- 400	400- 1000	1000- 2000		± 0.1	± 0.1	± 0.2	± 0.3	± 0.5	± 0.8	± 1.2	
Linear dimensions:	0-3	3-6	6 - 30	30- 120	120- 400	400- 1000	1000- 2000																		
	± 0.1	± 0.1	± 0.2	± 0.3	± 0.5	± 0.8	± 1.2																		
Part no.: 419920xxx-xx.2		Page 3 of 6		<table border="1"> <tr> <td></td> <td>Angle</td> <td>Radius</td> <td></td> <td></td> <td></td> <td></td> </tr> <tr> <td></td> <td>± 0.5°</td> <td>± 5%</td> <td></td> <td></td> <td></td> <td></td> </tr> </table>						Angle	Radius						± 0.5°	± 5%							
	Angle	Radius																							
	± 0.5°	± 5%																							
Material: Aluminium		Weight: 52,19 grams																							
<table border="1"> <tr> <td>Rev.:</td> <td>Date:</td> <td>Name:</td> <td>Description:</td> </tr> <tr> <td> </td> <td> </td> <td> </td> <td> </td> </tr> <tr> <td> </td> <td> </td> <td> </td> <td> </td> </tr> <tr> <td> </td> <td> </td> <td> </td> <td> </td> </tr> </table>		Rev.:	Date:						Name:	Description:													<table border="1"> <tr> <td>Delta 2</td> <td>Phone:</td> <td>+45 87 64 35 00</td> </tr> <tr> <td>DK-8382 Hinnerup</td> <td>Fax:</td> <td>+45 87 64 35 01</td> </tr> </table>		Delta 2
Rev.:	Date:	Name:	Description:																						
Delta 2	Phone:	+45 87 64 35 00																							
DK-8382 Hinnerup	Fax:	+45 87 64 35 01																							

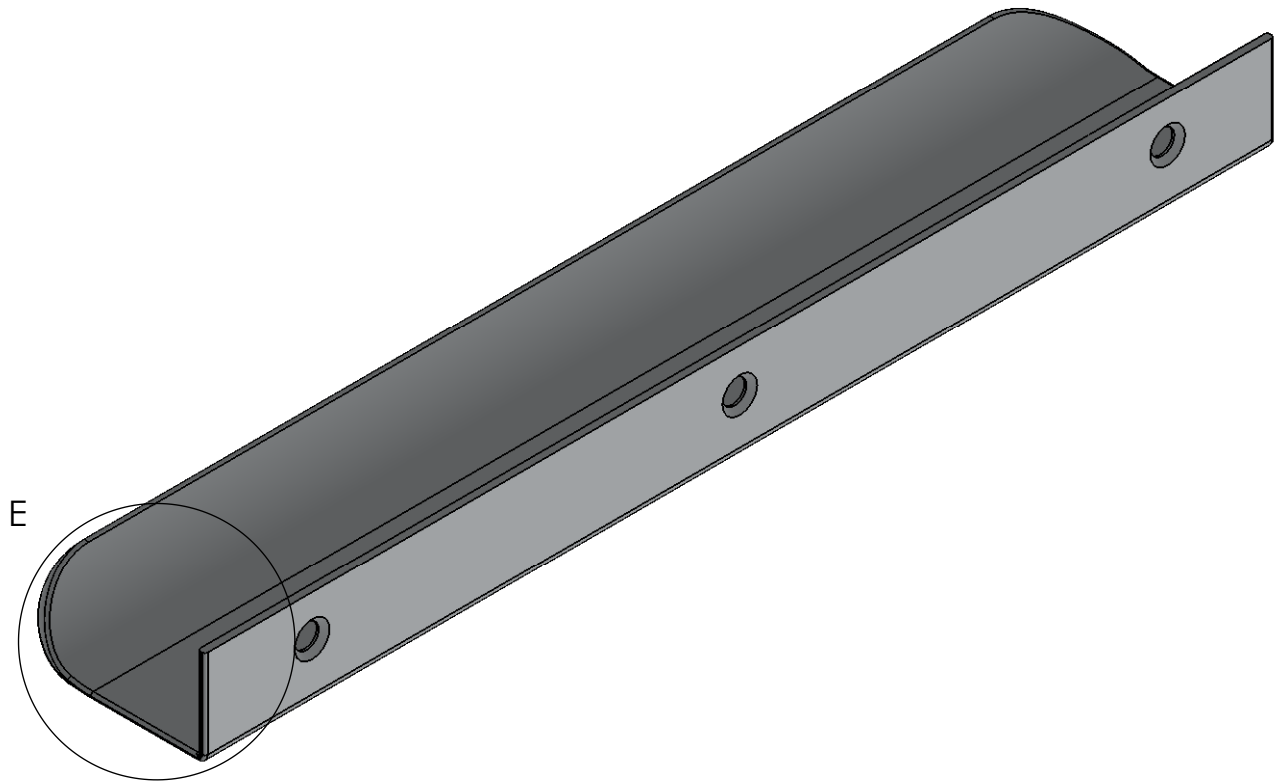


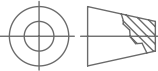

DETAIL D
SCALE 2 : 1

Part name: EDGE ROUND		Projection: 	Sheet format: A4	Tolerance unless otherwise specified DS/ISO 2768-1M																				
Customer:		Drawn by: ikr date 03. september 2015	Scale: 1:1	<table border="1"> <tr> <td>Linear dimensions:</td> <td>0-3</td> <td>3-6</td> <td>6-30</td> <td>30-120</td> <td>120-400</td> <td>400-1000</td> <td>1000-2000</td> </tr> <tr> <td></td> <td>± 0.1</td> <td>± 0.1</td> <td>± 0.2</td> <td>± 0.3</td> <td>± 0.5</td> <td>± 0.8</td> <td>± 1.2</td> </tr> </table>					Linear dimensions:	0-3	3-6	6-30	30-120	120-400	400-1000	1000-2000		± 0.1	± 0.1	± 0.2	± 0.3	± 0.5	± 0.8	± 1.2
Linear dimensions:	0-3	3-6	6-30	30-120	120-400	400-1000	1000-2000																	
	± 0.1	± 0.1	± 0.2	± 0.3	± 0.5	± 0.8	± 1.2																	
Part no.: 419920xxx-xx.2		Page 4 of 6		<table border="1"> <tr> <td>Angle</td> <td>Radius</td> <td></td> <td></td> </tr> <tr> <td>± 0.5°</td> <td>± 5%</td> <td></td> <td></td> </tr> </table>					Angle	Radius			± 0.5°	± 5%										
Angle	Radius																							
± 0.5°	± 5%																							
Material: Aluminium		Weight: 52,19 grams		 Delta 2 Phone: +45 87 64 35 00 DK-8382 Hinnerup Fax: +45 87 64 35 01																				
Rev.:	Date:	Name:	Description:																					

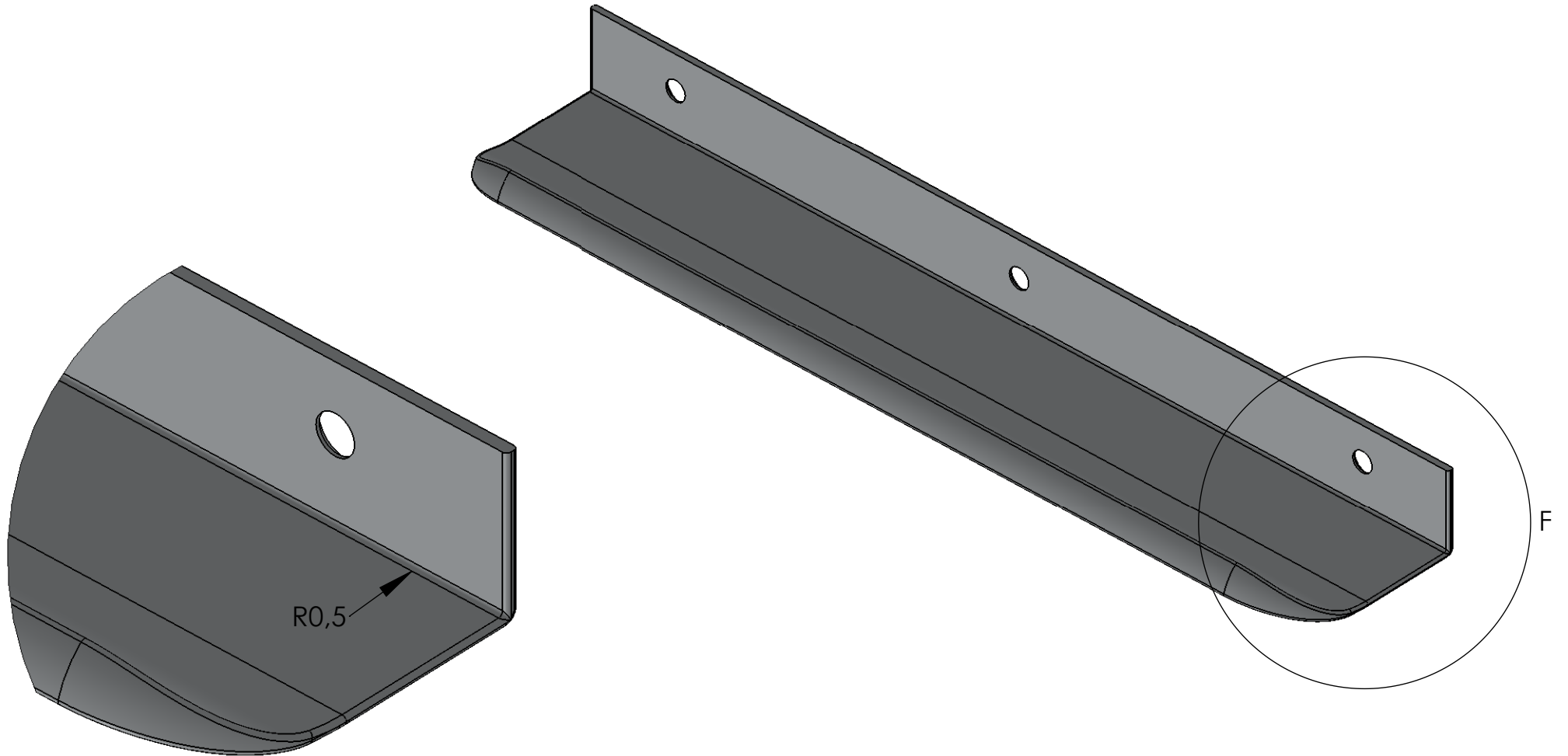


DETAIL E
SCALE 2 : 1

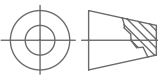



Part name: EDGE ROUND		Projection: 	Sheet format: A4	Tolerance unless otherwise specified DS/ISO 2768-1M																				
Customer:		Drawn by: ikr date 03. september 2015	Scale: 1:1	<table border="1"> <tr> <td>Linear dimensions:</td> <td>0-3</td> <td>3-6</td> <td>6-30</td> <td>30-120</td> <td>120-400</td> <td>400-1000</td> <td>1000-2000</td> </tr> <tr> <td></td> <td>± 0.1</td> <td>± 0.1</td> <td>± 0.2</td> <td>± 0.3</td> <td>± 0.5</td> <td>± 0.8</td> <td>± 1.2</td> </tr> </table>					Linear dimensions:	0-3	3-6	6-30	30-120	120-400	400-1000	1000-2000		± 0.1	± 0.1	± 0.2	± 0.3	± 0.5	± 0.8	± 1.2
Linear dimensions:	0-3	3-6	6-30	30-120	120-400	400-1000	1000-2000																	
	± 0.1	± 0.1	± 0.2	± 0.3	± 0.5	± 0.8	± 1.2																	
Part no.: 419920xxx-xx.2		Page 5 of 6		<table border="1"> <tr> <td>Angle</td> <td>Radius</td> <td></td> <td></td> </tr> <tr> <td>± 0.5°</td> <td>± 5%</td> <td></td> <td></td> </tr> </table>					Angle	Radius			± 0.5°	± 5%										
Angle	Radius																							
± 0.5°	± 5%																							
Material: Aluminium		Weight: 52,19 grams																						
Rev.:		Date:							Delta 2 Phone: +45 87 64 35 00 DK-8382 Hinnerup Fax: +45 87 64 35 01															

Rev.:	Date:	Name:	Description:



DETAIL F
SCALE 2 : 1

Part name: EDGE ROUND		Projection: 	Sheet format: A4	Tolerance unless otherwise specified DS/ISO 2768-1M																			
Customer:		Drawn by: ikr date 03. september 2015	Scale: 1:1	<table border="1"> <tr> <td>Linear dimensions:</td> <td>0-3</td> <td>3-6</td> <td>6 - 30</td> <td>30- 120</td> <td>120- 400</td> <td>400- 1000</td> <td>1000- 2000</td> </tr> <tr> <td></td> <td>± 0.1</td> <td>± 0.1</td> <td>± 0.2</td> <td>± 0.3</td> <td>± 0.5</td> <td>± 0.8</td> <td>± 1.2</td> </tr> </table>				Linear dimensions:	0-3	3-6	6 - 30	30- 120	120- 400	400- 1000	1000- 2000		± 0.1	± 0.1	± 0.2	± 0.3	± 0.5	± 0.8	± 1.2
Linear dimensions:	0-3	3-6	6 - 30	30- 120	120- 400	400- 1000	1000- 2000																
	± 0.1	± 0.1	± 0.2	± 0.3	± 0.5	± 0.8	± 1.2																
Part no.: 419920xxx-xx.2		Page 6 of 6		<table border="1"> <tr> <td>Angle</td> <td>Radius</td> <td></td> <td></td> </tr> <tr> <td>± 0.5°</td> <td>± 5%</td> <td></td> <td></td> </tr> </table>				Angle	Radius			± 0.5°	± 5%										
Angle	Radius																						
± 0.5°	± 5%																						
Material: Aluminium		Weight: 52,19 grams																					
<table border="1"> <tr> <td>Rev.:</td> <td>Date:</td> <td>Name:</td> <td>Description:</td> </tr> <tr> <td> </td> <td> </td> <td> </td> <td> </td> </tr> <tr> <td> </td> <td> </td> <td> </td> <td> </td> </tr> <tr> <td> </td> <td> </td> <td> </td> <td> </td> </tr> </table>		Rev.:	Date:					Name:	Description:													<table border="1"> <tr> <td>Delta 2</td> <td>Phone: +45 87 64 35 00</td> </tr> <tr> <td>DK-8382 Hinnerup</td> <td>Fax: +45 87 64 35 01</td> </tr> </table>	
Rev.:	Date:	Name:	Description:																				
Delta 2	Phone: +45 87 64 35 00																						
DK-8382 Hinnerup	Fax: +45 87 64 35 01																						