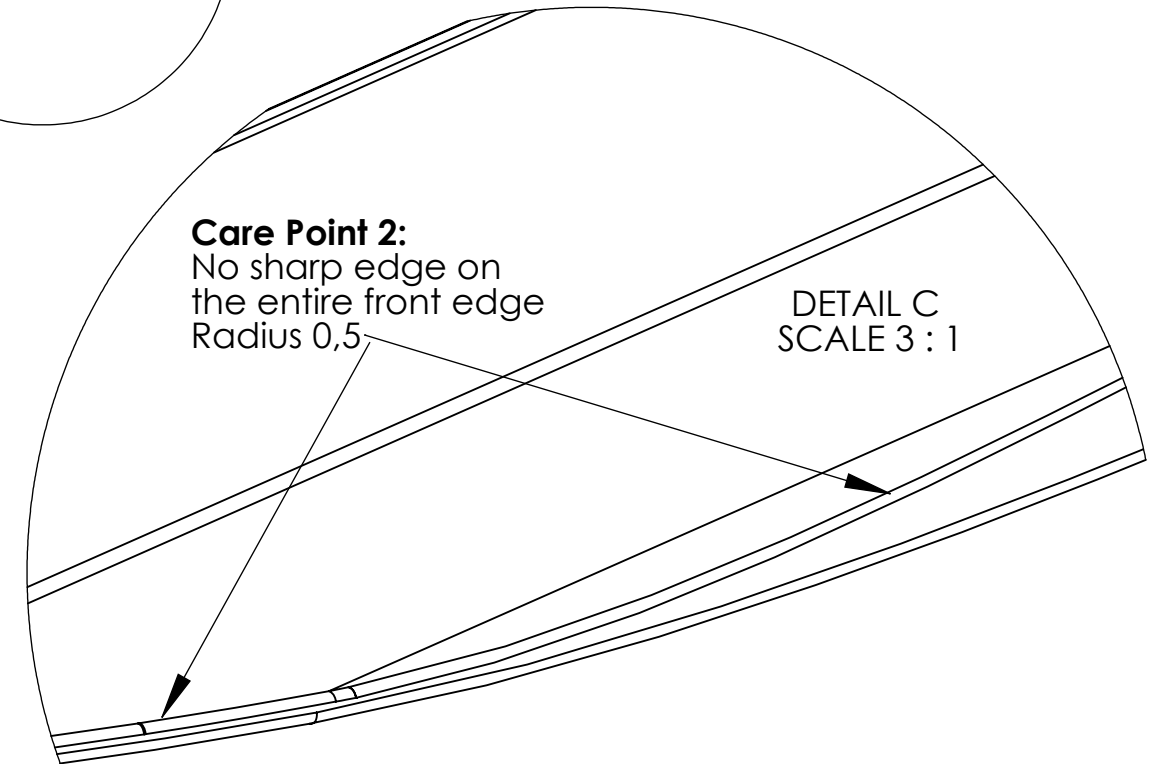
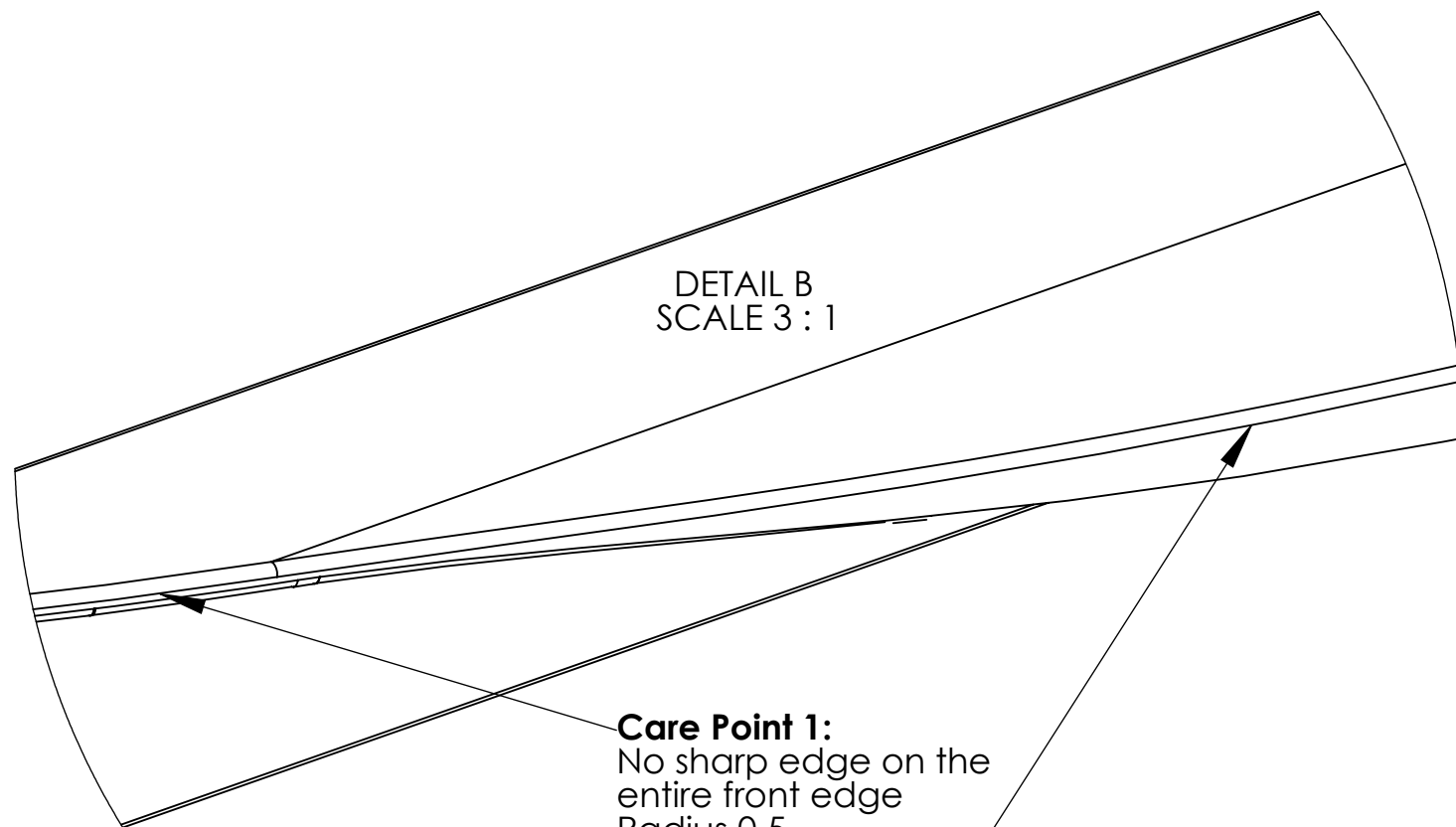
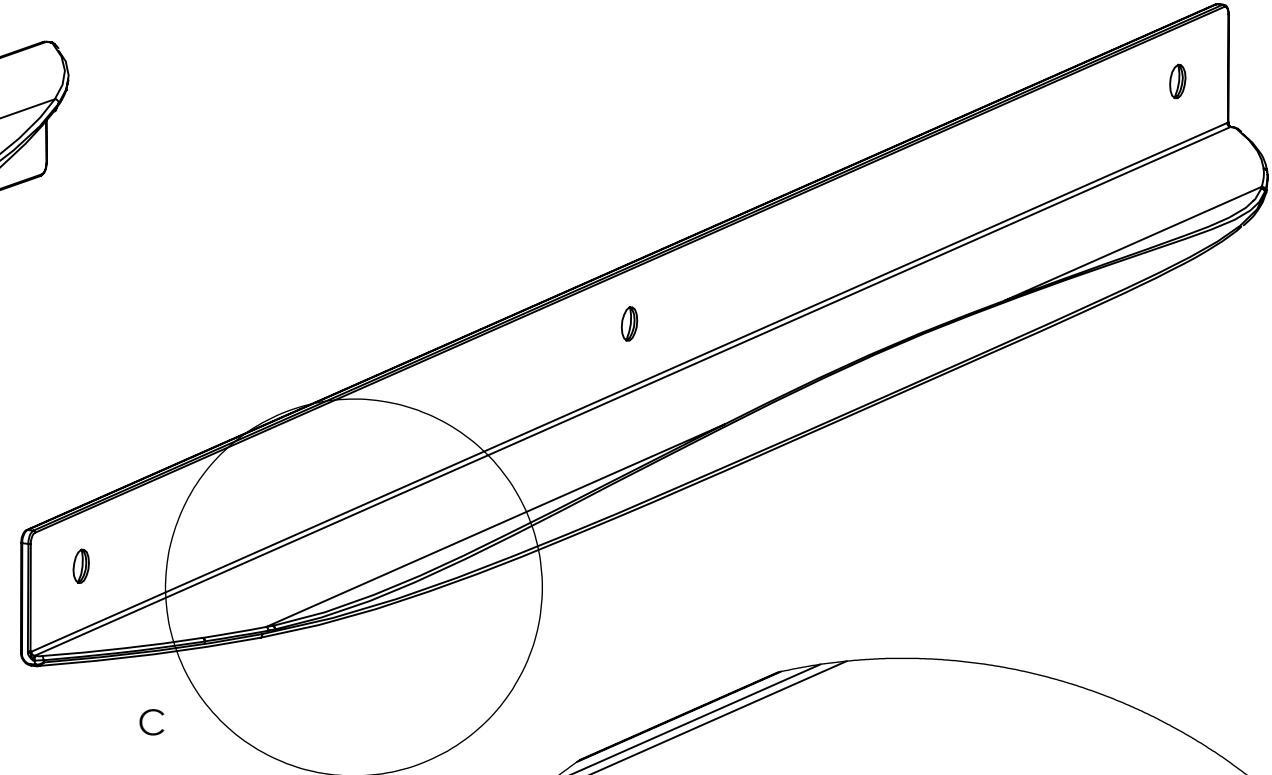
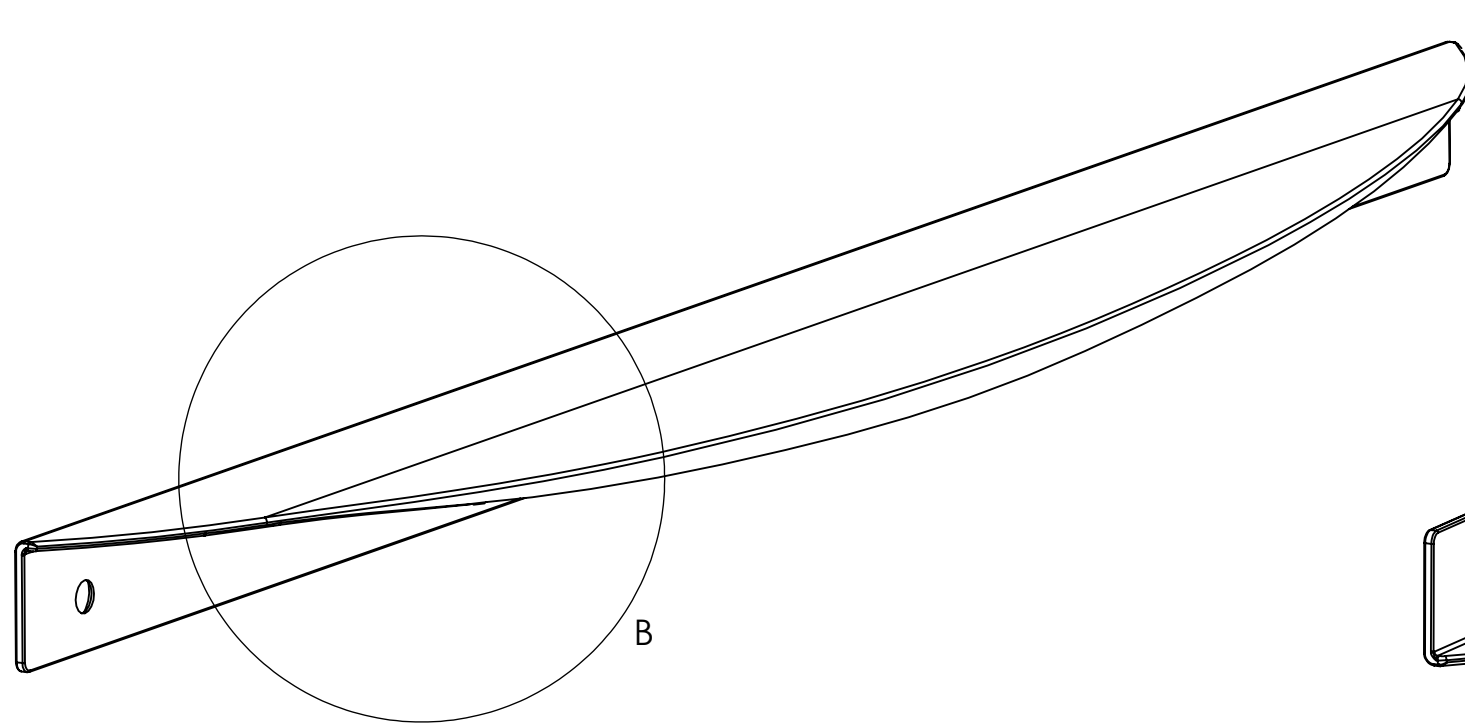


SECTION A-A
SCALE 3 : 1

Part name: EDGE BOW	Projection: 	Sheet format: A3	Tolerance unless otherwise specified DS/ISO 2768-1M Linear dimensions: 0-3 ±0.1 3-6 ±0.1 6-30 ±0.2 30-120 ±0.3 120-400 ±0.5 400-1000 ±0.8 1000-2000 ±1.2
Customer:	Drawn by: IKR date 08. september 2015	Scale: 1:2	
Part no.: 423920xxx-xx.1	Page 1 of 3	Angle: ± 0.5° Radius: ± 5%	
Material: Aluminium	Weight: 66,78 grams	 Delta 2 DK-8382 Hinnerup Phone: +45 87 64 35 00 Fax: +45 87 64 35 01	
COPYRIGHT: THIS DRAWING MAY NOT BE COPIED OR REPRODUCED IN ANY WAY WITHOUT DIRECT PERMISSION FROM FURNIPART A/S			

PART NO.	L1	C1	C2	Number of holes	C/C	Rev.:	Date:	Name:	Description:
423920200.1	200	R83	R243	2	160	C	22-06-2016	IKR	Thickness increased
423920350.1	350	R130	R724	3	160	B	08-03-2016	IKR	Thickness increased
						A	08-09-2015	IKR	Initial release

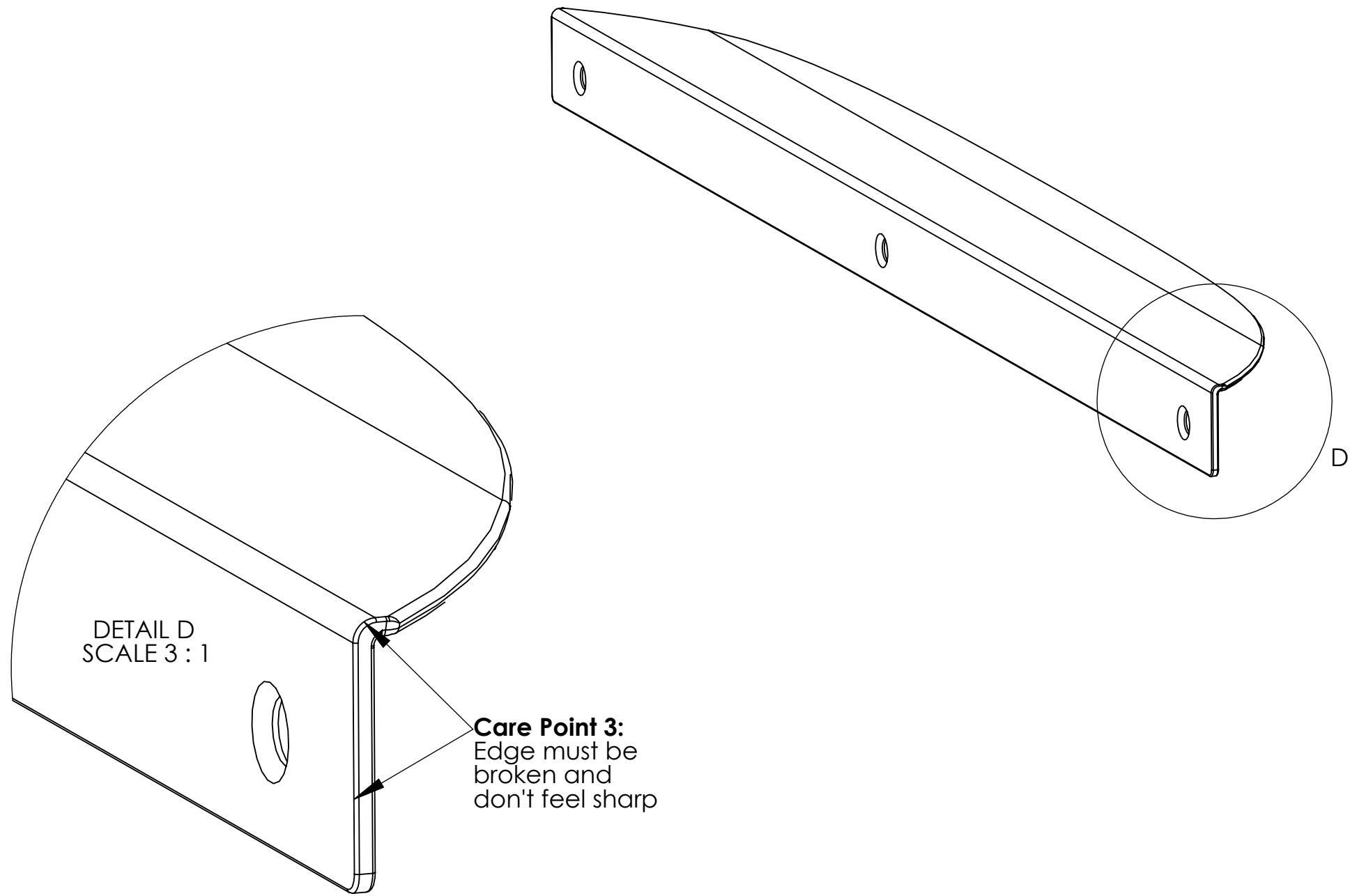


Care Point 1:
No sharp edge on the
entire front edge
Radius 0,5

Care Point 2:
No sharp edge on
the entire front edge
Radius 0,5

Rev.:	Date:	Name:	Description:
C	22-06-2016	IKR	Thickness increased
B	08-03-2016	IKR	Thickness increased
A	08-09-2015	IKR	Initial release

Part name: EDGE BOW	Projection: 	Sheet format: A3	Tolerance unless otherwise specified DS/ISO 2768-1M Linear dimensions: <table border="1"> <tr> <td>0-3</td> <td>3-6</td> <td>6-30</td> <td>30-120</td> <td>120-400</td> <td>400-1000</td> <td>1000-2000</td> </tr> <tr> <td>± 0.1</td> <td>± 0.1</td> <td>± 0.2</td> <td>± 0.3</td> <td>± 0.5</td> <td>± 0.8</td> <td>± 1.2</td> </tr> </table>	0-3	3-6	6-30	30-120	120-400	400-1000	1000-2000	± 0.1	± 0.1	± 0.2	± 0.3	± 0.5	± 0.8	± 1.2
0-3	3-6	6-30		30-120	120-400	400-1000	1000-2000										
± 0.1	± 0.1	± 0.2	± 0.3	± 0.5	± 0.8	± 1.2											
Customer:	Drawn by: IKR date 08. september 2015	Scale: 1:1	<table border="1"> <tr> <td>Angle</td> <td>Radius</td> </tr> <tr> <td>± 0.5°</td> <td>± 5%</td> </tr> </table>	Angle	Radius	± 0.5°	± 5%										
Angle	Radius																
± 0.5°	± 5%																
Part no.: 423920xxx-xx.1	Page 2 of 3	Material: Aluminium	 Delta 2 DK-8382 Hinnerup Phone: +45 87 64 35 00 Fax: +45 87 64 35 01														
Weight: 66,78 grams	COPYRIGHT: THIS DRAWING MAY NOT BE COPIED OR REPRODUCED IN ANY WAY WITHOUT DIRECT PERMISSION FROM FURNIPART A/S																



Rev.:	Date:	Name:	Description:
C	22-06-2016	IKR	Thickness increased
B	08-03-2016	IKR	Thickness increased
A	08-09-2015	IKR	Initial release

Part name: EDGE BOW	Projection: 	Sheet format: A3	Tolerance unless otherwise specified DS/ISO 2768-1M Linear dimensions: <table border="1"><tr><td>0-3</td><td>3-6</td><td>6-30</td><td>30-120</td><td>120-400</td><td>400-1000</td><td>1000-2000</td></tr><tr><td>± 0.1</td><td>± 0.1</td><td>± 0.2</td><td>± 0.3</td><td>± 0.5</td><td>± 0.8</td><td>± 1.2</td></tr></table>	0-3	3-6	6-30	30-120	120-400	400-1000	1000-2000	± 0.1	± 0.1	± 0.2	± 0.3	± 0.5	± 0.8	± 1.2
0-3	3-6	6-30		30-120	120-400	400-1000	1000-2000										
± 0.1	± 0.1	± 0.2	± 0.3	± 0.5	± 0.8	± 1.2											
Customer:	Drawn by: IKR date 08. september 2015	Scale: 1:1	Angle: ± 0.5° Radius: ± 5%														
Part no.: 423920xxx-xx.1	Page 3 of 3	Material: Aluminium	 Delta 2 Phone: +45 87 64 35 00 DK-8382 Hinnerup Fax: +45 87 64 35 01														
	Weight: 66,78 grams																
COPYRIGHT: THIS DRAWING MAY NOT BE COPIED OR REPRODUCED IN ANY WAY WITHOUT DIRECT PERMISSION FROM FURNIPART A/S																	