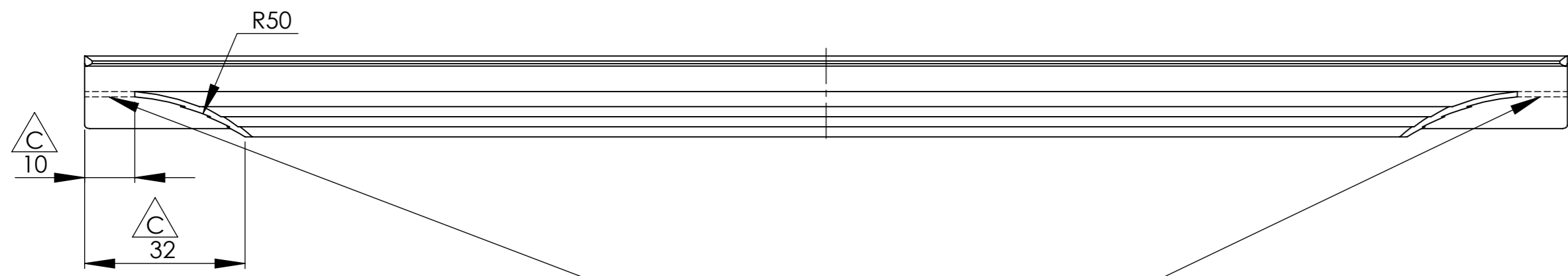
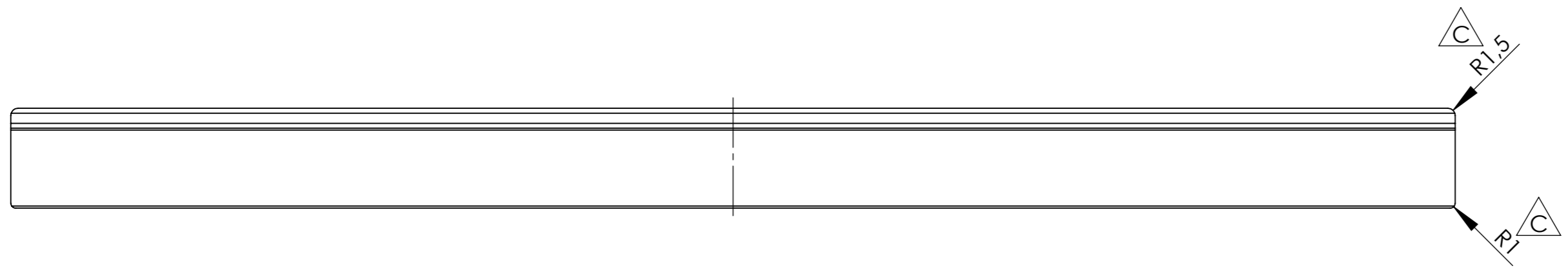


see page 2
for dimensions
on profile

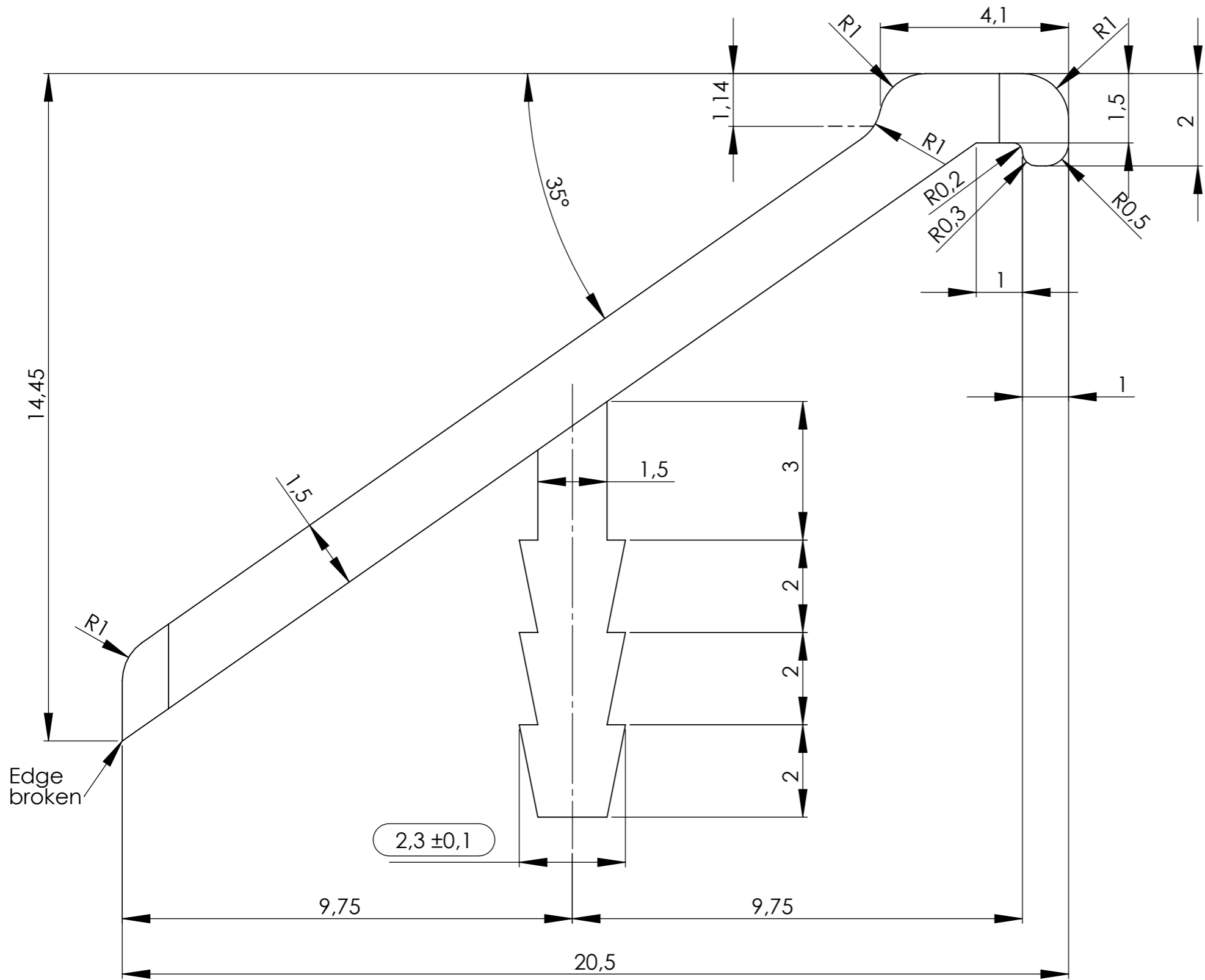


Dotted area must be grinded
in level with the profile thickness
+0,1/-0 mm

PART NO.	LENGTH	
425720196	196	△B
425720218	218	△B
425720225	225	△B
425720240	240	△B
425720296	296	
425720318	318	△B
425720320	320	△B
425720340	340	△B
425720346	346	
425720396	396	
425720446	446	
425720496	496	
425720596	596	
425720696	696	
425720796	796	
425720896	896	
425720996	996	
4257201096	1096	
4257201196	1196	

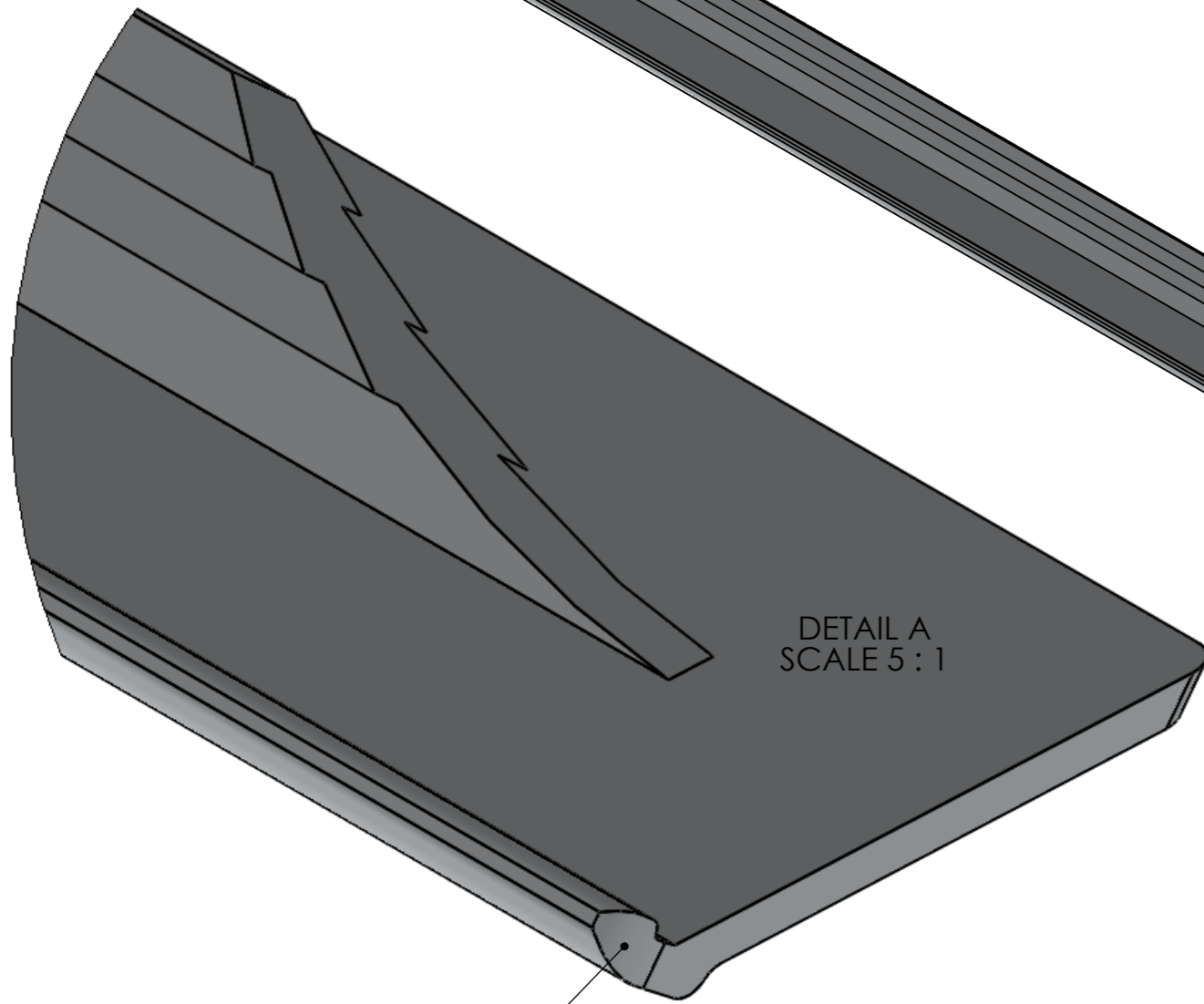
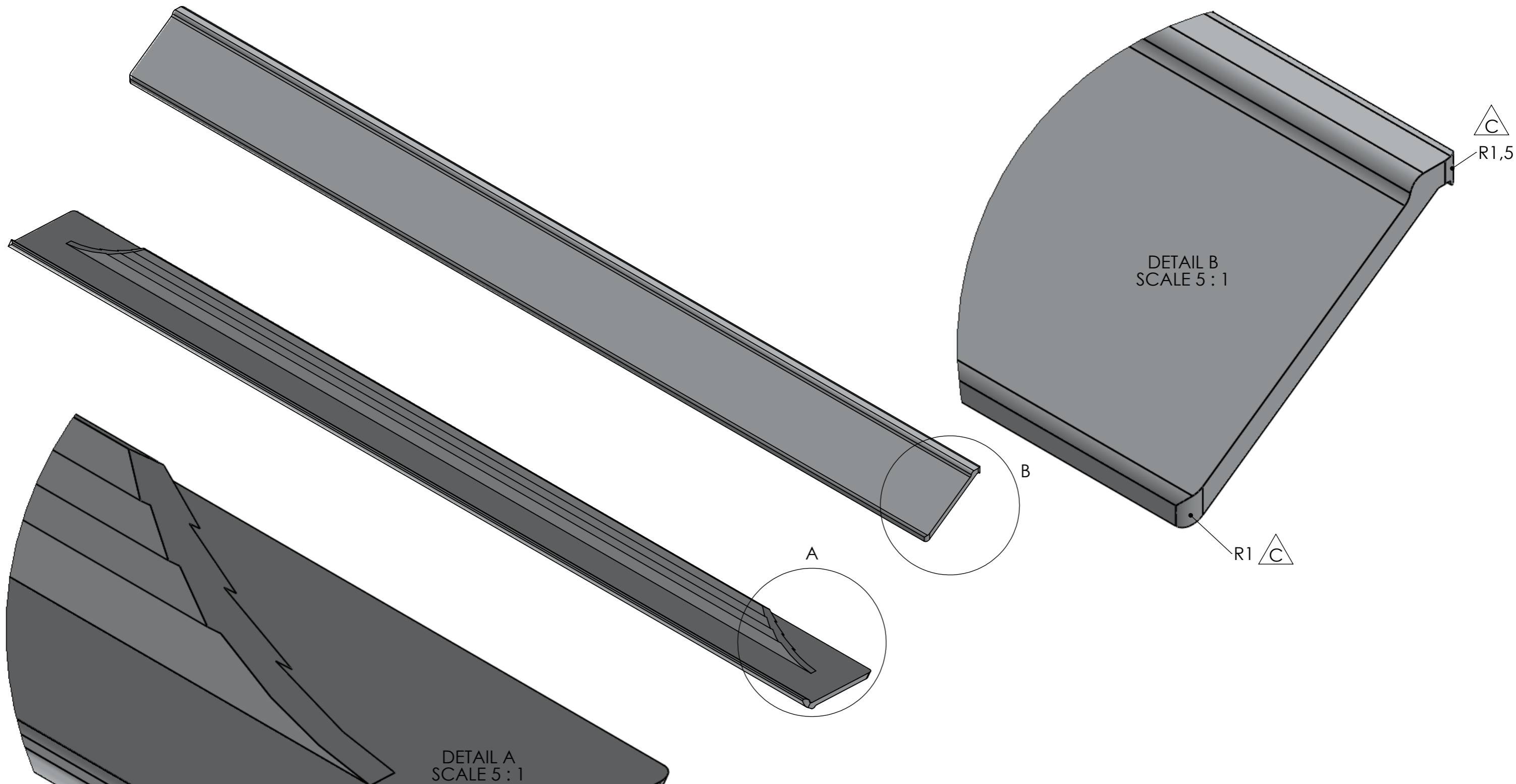
Rev.:	Date:	Name:	Description:
C	20-02-2015	PS	Dimension by harpoon cut-off changed from 52 to 32
C	20-02-2015	PS	Dimension by harpoon cut-off changed from 30 to 10
C	20-02-2015	PS	Corner radius added R1 and R1,5
B	22-09-2014	PS	New length's added

Part name: CLIFF	Projection: 	Sheet format: A3	Tolerance unless otherwise specified DS/ISO 2768-1M Linear dimensions: <table border="1"> <tr> <td>0-3</td><td>3-6</td><td>6-30</td><td>30-120</td><td>120-400</td><td>400-1000</td><td>1000-2000</td> </tr> <tr> <td>± 0.1</td><td>± 0.1</td><td>± 0.2</td><td>± 0.3</td><td>± 0.5</td><td>± 0.8</td><td>± 1.2</td> </tr> </table>	0-3	3-6	6-30	30-120	120-400	400-1000	1000-2000	± 0.1	± 0.1	± 0.2	± 0.3	± 0.5	± 0.8	± 1.2
0-3	3-6	6-30		30-120	120-400	400-1000	1000-2000										
± 0.1	± 0.1	± 0.2	± 0.3	± 0.5	± 0.8	± 1.2											
Customer:	Drawn by: ps date 09.07.2014	Scale: 1:1															
Part no.: 425720xxx	Page 1 of 5	<table border="1"> <tr> <td>Angle</td> <td>Radius</td> <td></td> <td></td> </tr> <tr> <td>± 0.5°</td> <td>± 5%</td> <td></td> <td></td> </tr> </table>		Angle	Radius			± 0.5°	± 5%								
Angle	Radius																
± 0.5°	± 5%																
Material: Aluminium	Weight: 40,16 grams	 <small>Delta 2 DK-8382 Hinnerup Phone: +45 87 64 35 00 Fax: +45 87 64 35 01</small>															
COPYRIGHT: THIS DRAWING MAY NOT BE COPIED OR REPRODUCED IN ANY WAY WITHOUT DIRECT PERMISSION FROM FURNIPART A/S																	



Edge broken

Part name: CLIFF	Projection: 	Sheet format: A3	Tolerance unless otherwise specified DS/ISO 2768-1M Linear dimensions: <table border="1"> <tr> <td>0-3</td> <td>3-6</td> <td>6-30</td> <td>30-120</td> <td>120-400</td> <td>400-1000</td> <td>1000-2000</td> </tr> <tr> <td>± 0.1</td> <td>± 0.1</td> <td>± 0.2</td> <td>± 0.3</td> <td>± 0.5</td> <td>± 0.8</td> <td>± 1.2</td> </tr> </table>	0-3	3-6	6-30	30-120	120-400	400-1000	1000-2000	± 0.1	± 0.1	± 0.2	± 0.3	± 0.5	± 0.8	± 1.2						
0-3	3-6	6-30		30-120	120-400	400-1000	1000-2000																
± 0.1	± 0.1	± 0.2	± 0.3	± 0.5	± 0.8	± 1.2																	
Customer:	Drawn by: ps date 09.07.2014	Scale: 10:1	<table border="1"> <tr> <td>Angle</td> <td>Radius</td> <td></td> <td></td> </tr> <tr> <td>± 0.5°</td> <td>± 5%</td> <td></td> <td></td> </tr> </table>	Angle	Radius			± 0.5°	± 5%														
Angle	Radius																						
± 0.5°	± 5%																						
Part no.: 425720xxx	Material: Aluminium	Page 2 of 5	<p>Delta 2 DK-8382 Hinnerup Phone: +45 87 64 35 00 Fax: +45 87 64 35 01</p>																				
Rev.: C C C B	Date: 20-02-2015 20-02-2015 20-02-2015 22-09-2014	Weight: 40,16 grams		<table border="1"> <tr> <th>Rev.:</th> <th>Date:</th> <th>Name:</th> <th>Description:</th> </tr> <tr> <td>C</td> <td>20-02-2015</td> <td>PS</td> <td>Dimension by harpoon cut-off changed from 52 to 32</td> </tr> <tr> <td>C</td> <td>20-02-2015</td> <td>PS</td> <td>Dimension by harpoon cut-off changed from 30 to 10</td> </tr> <tr> <td>C</td> <td>20-02-2015</td> <td>PS</td> <td>Corner radius added R1 and R1,5</td> </tr> <tr> <td>B</td> <td>22-09-2014</td> <td>PS</td> <td>New length's added</td> </tr> </table>	Rev.:	Date:	Name:	Description:	C	20-02-2015	PS	Dimension by harpoon cut-off changed from 52 to 32	C	20-02-2015	PS	Dimension by harpoon cut-off changed from 30 to 10	C	20-02-2015	PS	Corner radius added R1 and R1,5	B	22-09-2014	PS
Rev.:	Date:	Name:	Description:																				
C	20-02-2015	PS	Dimension by harpoon cut-off changed from 52 to 32																				
C	20-02-2015	PS	Dimension by harpoon cut-off changed from 30 to 10																				
C	20-02-2015	PS	Corner radius added R1 and R1,5																				
B	22-09-2014	PS	New length's added																				
COPYRIGHT: THIS DRAWING MAY NOT BE COPIED OR REPRODUCED IN ANY WAY WITHOUT DIRECT PERMISSION FROM FURNIPART A/S																							

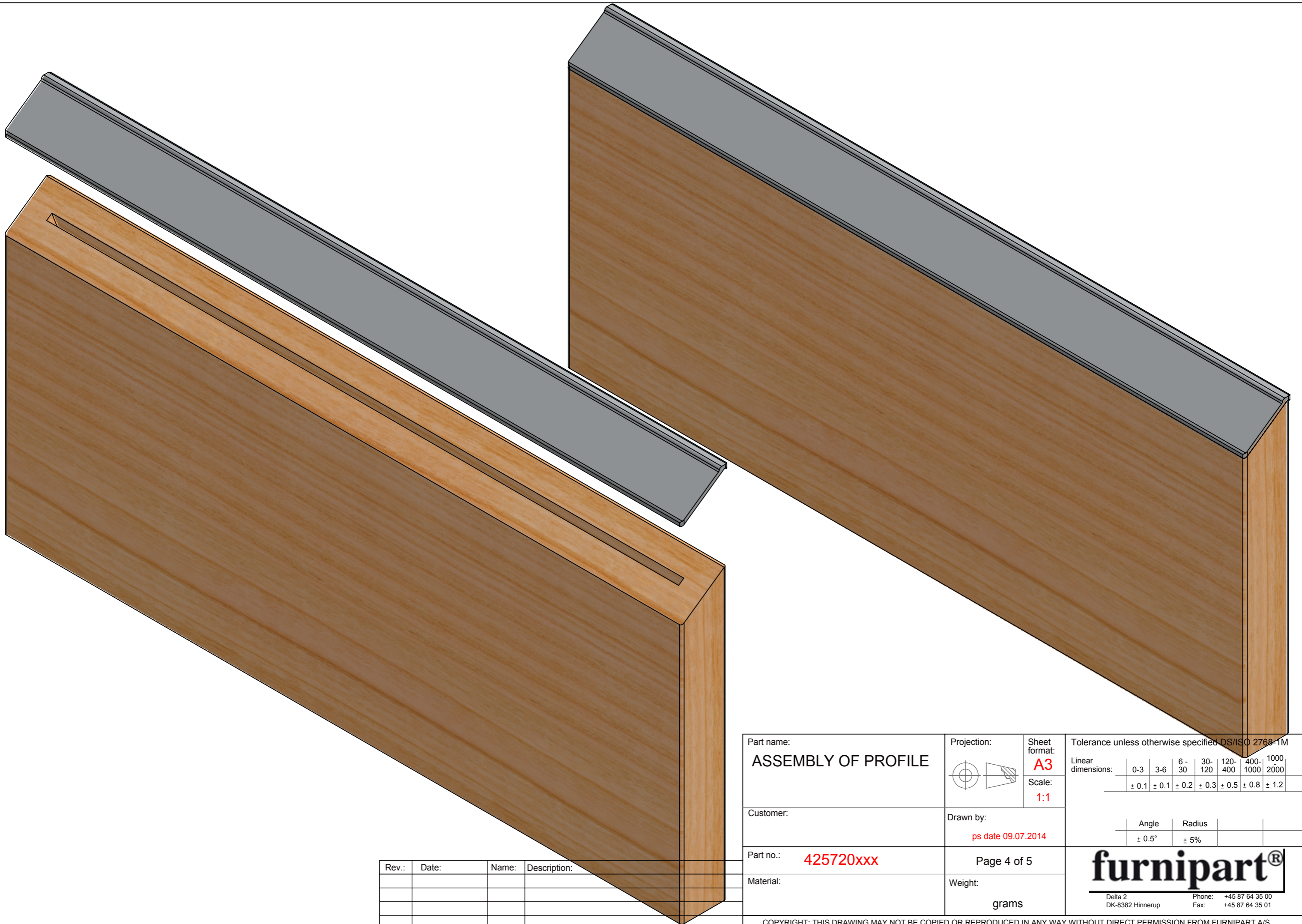


DETAIL A
SCALE 5 : 1

DETAIL B
SCALE 5 : 1

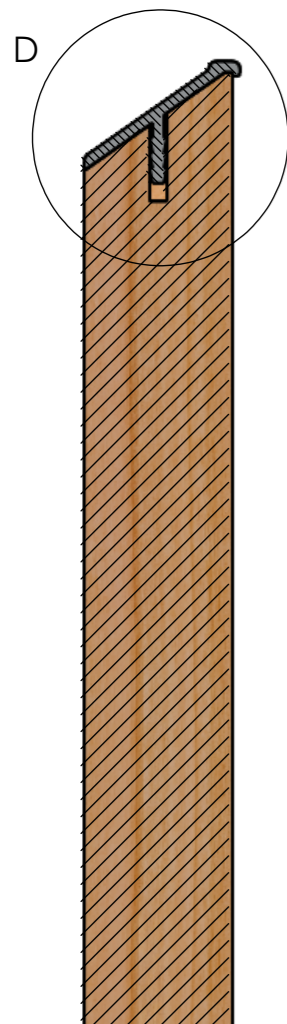
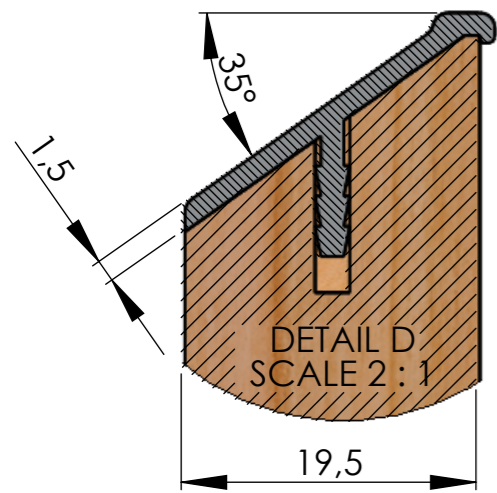
Rev.:	Date:	Name:	Description:
C	20-02-2015	PS	Dimension by harpoon cut-off changed from 52 to 32
C	20-02-2015	PS	Dimension by harpoon cut-off changed from 30 to 10
C	20-02-2015	PS	Corner radius added R1 and R1,5
B	22-09-2014	PS	New length's added

Part name: CLIFF	Projection: 	Sheet format: A3	Tolerance unless otherwise specified DS/ISO 2768-1M Linear dimensions: <table border="1"> <tr> <td>0-3</td><td>3-6</td><td>6-30</td><td>30-120</td><td>120-400</td><td>400-1000</td><td>1000-2000</td> </tr> <tr> <td>± 0.1</td><td>± 0.1</td><td>± 0.2</td><td>± 0.3</td><td>± 0.5</td><td>± 0.8</td><td>± 1.2</td> </tr> </table>	0-3	3-6	6-30	30-120	120-400	400-1000	1000-2000	± 0.1	± 0.1	± 0.2	± 0.3	± 0.5	± 0.8	± 1.2
0-3	3-6	6-30		30-120	120-400	400-1000	1000-2000										
± 0.1	± 0.1	± 0.2	± 0.3	± 0.5	± 0.8	± 1.2											
Customer:	Drawn by: ps date 09.07.2014	Scale: 1:1	<table border="1"> <tr> <td>Angle</td> <td>Radius</td> <td></td> <td></td> </tr> <tr> <td>± 0.5°</td> <td>± 5%</td> <td></td> <td></td> </tr> </table>	Angle	Radius			± 0.5°	± 5%								
Angle	Radius																
± 0.5°	± 5%																
Part no.: 425720xxx	Material: Aluminium	Page 3 of 5	 Delta 2 DK-8382 Hinnerup Phone: +45 87 64 35 00 Fax: +45 87 64 35 01														
Weight: 40,16 grams	COPYRIGHT: THIS DRAWING MAY NOT BE COPIED OR REPRODUCED IN ANY WAY WITHOUT DIRECT PERMISSION FROM FURNIPART A/S																

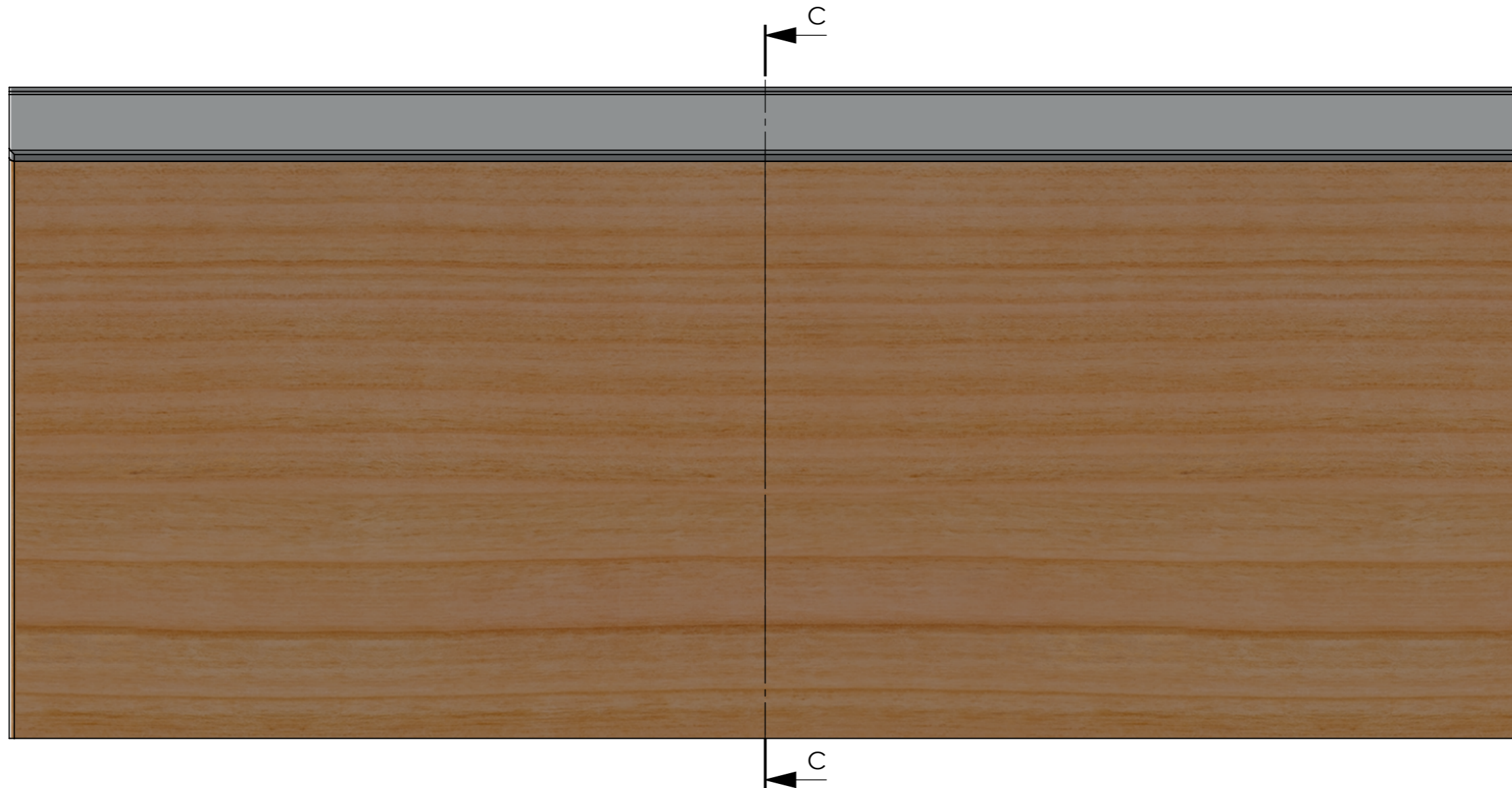


Rev.:	Date:	Name:	Description:

Part name: ASSEMBLY OF PROFILE	Projection: 	Sheet format: A3	Tolerance unless otherwise specified DS/ISO 2768-1M Linear dimensions: <table border="1"> <tr> <td>0-3</td> <td>3-6</td> <td>6 - 30</td> <td>30- 120</td> <td>120- 400</td> <td>400- 1000</td> <td>1000 - 2000</td> </tr> <tr> <td>± 0.1</td> <td>± 0.1</td> <td>± 0.2</td> <td>± 0.3</td> <td>± 0.5</td> <td>± 0.8</td> <td>± 1.2</td> </tr> </table>	0-3	3-6	6 - 30	30- 120	120- 400	400- 1000	1000 - 2000	± 0.1	± 0.1	± 0.2	± 0.3	± 0.5	± 0.8	± 1.2
0-3	3-6	6 - 30		30- 120	120- 400	400- 1000	1000 - 2000										
± 0.1	± 0.1	± 0.2	± 0.3	± 0.5	± 0.8	± 1.2											
Customer:	Drawn by: ps date 09.07.2014	Scale: 1:1	<table border="1"> <tr> <td>Angle</td> <td>Radius</td> <td></td> <td></td> </tr> <tr> <td>± 0.5°</td> <td>± 5%</td> <td></td> <td></td> </tr> </table>	Angle	Radius			± 0.5°	± 5%								
Angle	Radius																
± 0.5°	± 5%																
Part no.: 425720xxx	Material:	Page 4 of 5	 Delta 2 Phone: +45 87 64 35 00 DK-8382 Hinnerup Fax: +45 87 64 35 01														
	Weight: grams																



SECTION C-C



Rev.:	Date:	Name:	Description:

Part name: ASSEMBLY OF PROFILE	Projection: 	Sheet format: A3	Tolerance unless otherwise specified DS/ISO 2768-1M Linear dimensions: <table border="1"> <tr> <td>0-3</td> <td>3-6</td> <td>6 - 30</td> <td>30- 120</td> <td>120- 400</td> <td>400- 1000</td> <td>1000 - 2000</td> </tr> <tr> <td>± 0.1</td> <td>± 0.1</td> <td>± 0.2</td> <td>± 0.3</td> <td>± 0.5</td> <td>± 0.8</td> <td>± 1.2</td> </tr> </table>	0-3	3-6	6 - 30	30- 120	120- 400	400- 1000	1000 - 2000	± 0.1	± 0.1	± 0.2	± 0.3	± 0.5	± 0.8	± 1.2
0-3	3-6	6 - 30		30- 120	120- 400	400- 1000	1000 - 2000										
± 0.1	± 0.1	± 0.2	± 0.3	± 0.5	± 0.8	± 1.2											
Customer:	Drawn by: ps date 09.07.2014	Scale: 1:1	<table border="1"> <tr> <td>Angle</td> <td>Radius</td> <td> </td> <td> </td> </tr> <tr> <td>± 0.5°</td> <td>± 5%</td> <td> </td> <td> </td> </tr> </table>	Angle	Radius			± 0.5°	± 5%								
Angle	Radius																
± 0.5°	± 5%																
Part no.: 425720xxx	Material:	Page 5 of 5	<p>Delta 2 Phone: +45 87 64 35 00 DK-8382 Hinnerup Fax: +45 87 64 35 01</p>														
	Weight: grams																