

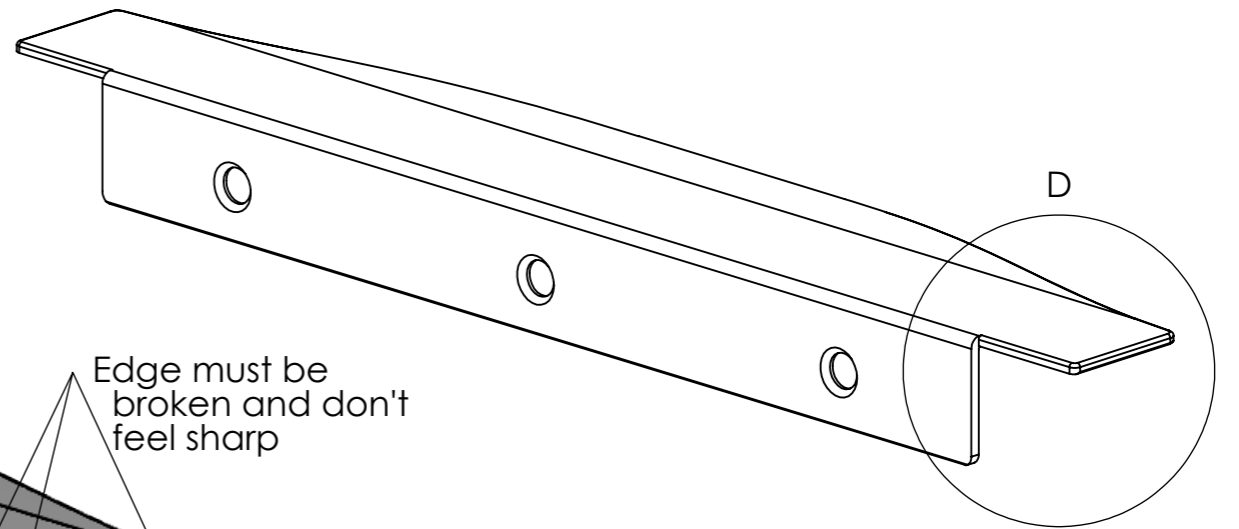
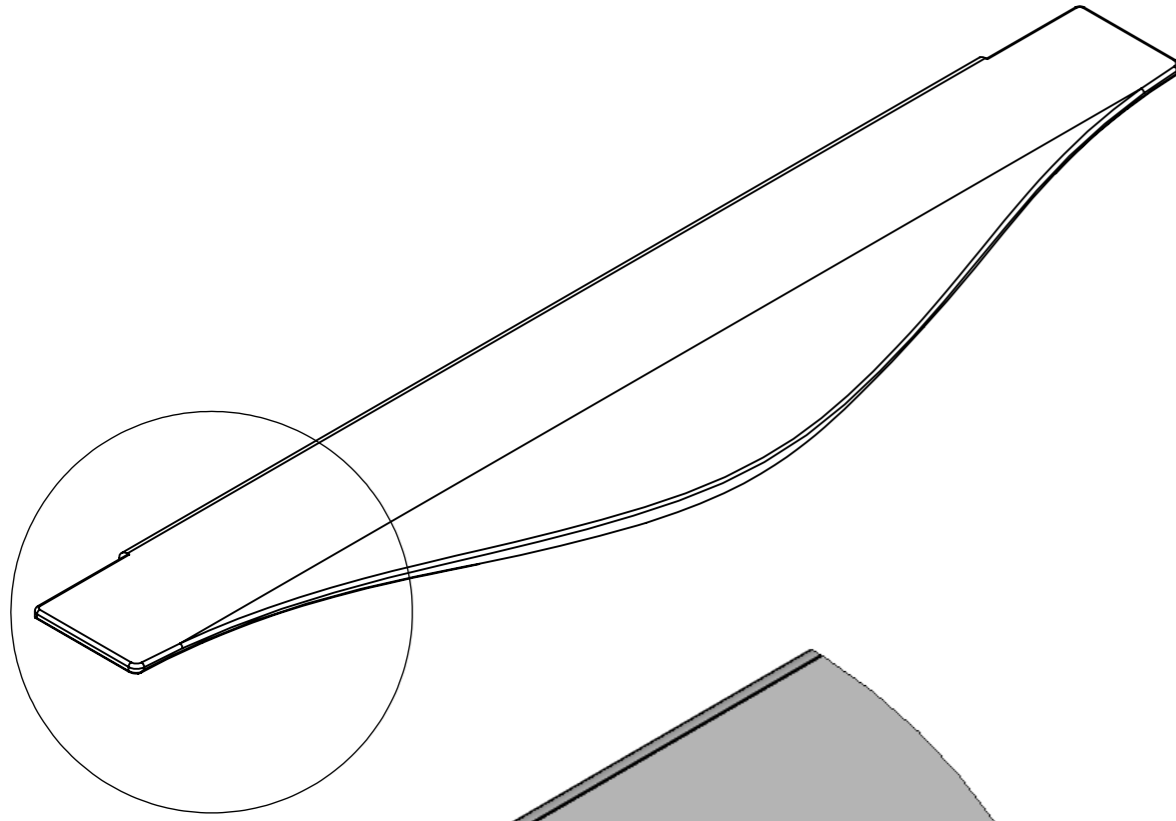
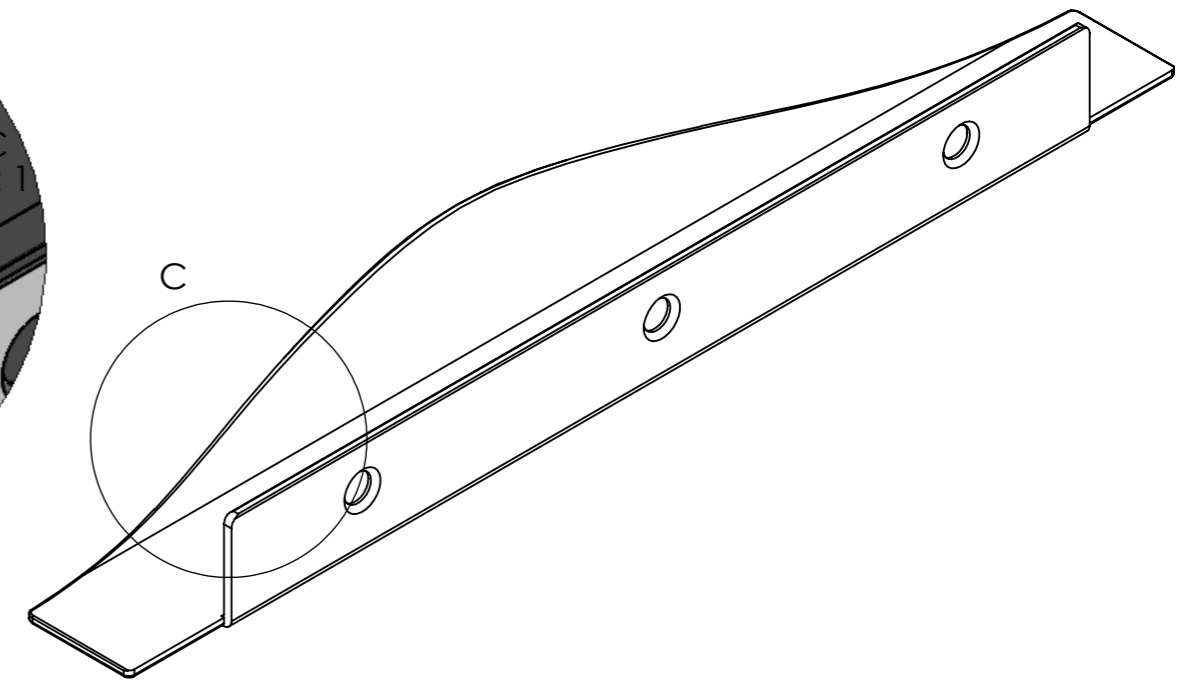
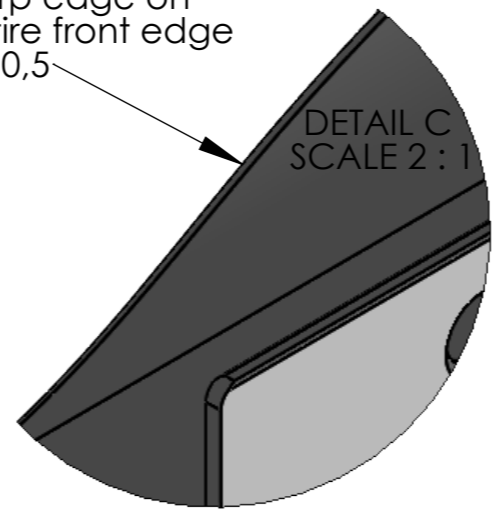
| PART NO. | LENGTH | C/C | NUMBER OF HOLES | RA | RB |
|-------------|--------|-------------|-----------------|-------|-------|
| 4271201460 | 146 | 30,5 | 2 | 67 | 67 |
| 4271201955 | 195,5 | 80 Δ | 2 | 117 | 117 |
| 4271202460 | 246 | 65,25 | 3 | 178 | 178 |
| 4271202760 | 276 | 80,25 | 3 | 231 | 223 |
| 4271202955 | 295,5 | 90 | 3 | 265 | 260 |
| 4271203455 | 345,5 | 115 | 3 | 365 | 350 |
| 4271203460 | 346 | 115,25 | 3 | 365 | 350 |
| 4271203955 | 395,5 | 140 | 3 | 480 | 460 |
| 4271204460 | 446 | 165,25 | 3 | 610 | 580 |
| 4271204955 | 495,5 | 190 | 3 | 750 | 710 |
| 421205560 | 556 | 220,25 | 3 | 955 | 905 |
| 4271205955 | 595,5 | 240 | 3 | 1080 | 1020 |
| 4271207955 | 795,5 | 226,67 | 4 | 1925 | 1815 |
| 4271208955 | 895,5 | 260 | 4 | 2330 | 2200 |
| 4271209955 | 995,5 | 220 | 5 | 3000 | 2840 |
| 42712011955 | 1195,5 | 270 | 5 | 4290 | 4060 |
| 4271201948 | 1948 | 233,5 | 8 | 10550 | 10150 |

| Part. No. | Lenght | C/C | No. of holes | RA | RB |
|------------|--------|--------|--------------|------|------|
| 427120444 | 444 | 164,25 | 3 | 610 | 580 |
| 4271204455 | 445,5 | 165 | 3 | 610 | 580 |
| 427120546 | 546 | 215,25 | 3 | 900 | 855 |
| 427120592 | 592 | 238,25 | 3 | 1080 | 1020 |
| 427120594 | 594 | 239,25 | 3 | 1080 | 1020 |
| 427120794 | 794 | 226,17 | 4 | 1925 | 1815 |
| 427120846 | 846 | 243,5 | 4 | 2150 | 2030 |
| 427120895 | 895 | 259,8 | 4 | 2330 | 2200 |

| Rev. | Date: | Name: | Description: |
|------|------------|-------|--|
| J | 07-01-2022 | MCH | C/C on length 195,5 corrected, and curves added to length 1948 |
| I | 16-07-2021 | MCH | RA and RB corrected on 445,5 |
| H | 15-07-2021 | MCH | Length 445,5 added |
| G | 25-09-2019 | MCH | Length 345,5 added |

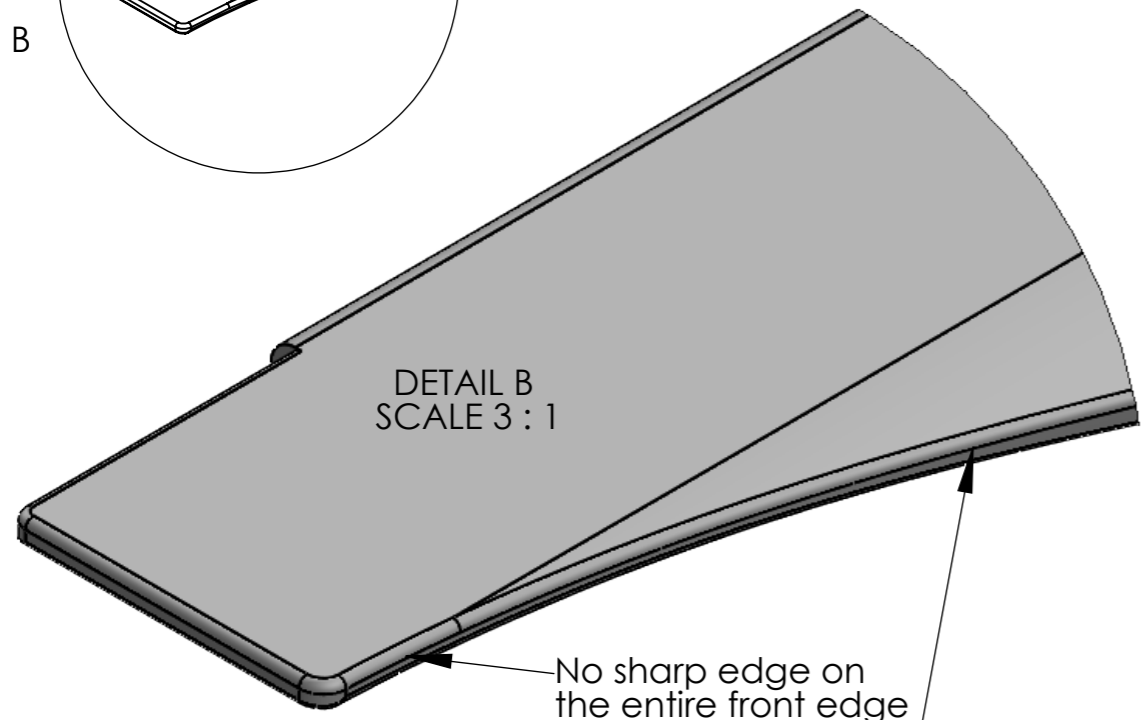
| | | | | | | | | | | | | | | | | | |
|---|--|----------------------------|---|--------|---------|----------|-----------|---------|----------|-----------|-------|-------|-------|-------|-------|-------|-------|
| Part name: TORRANCE | Projection: | Sheet format: A3 | Tolerance unless otherwise specified DS/ISO 2768-1M Linear dimensions: <table border="1"><tr><td>0-3</td><td>3-6</td><td>6-30</td><td>30-120</td><td>120-400</td><td>400-1000</td><td>1000-2000</td></tr><tr><td>± 0.1</td><td>± 0.1</td><td>± 0.2</td><td>± 0.3</td><td>± 0.5</td><td>± 0.8</td><td>± 1.2</td></tr></table> | 0-3 | 3-6 | 6-30 | 30-120 | 120-400 | 400-1000 | 1000-2000 | ± 0.1 | ± 0.1 | ± 0.2 | ± 0.3 | ± 0.5 | ± 0.8 | ± 1.2 |
| 0-3 | 3-6 | 6-30 | | 30-120 | 120-400 | 400-1000 | 1000-2000 | | | | | | | | | | |
| ± 0.1 | ± 0.1 | ± 0.2 | ± 0.3 | ± 0.5 | ± 0.8 | ± 1.2 | | | | | | | | | | | |
| Customer: | Drawn by: ps date 09.09.2014 | Scale: 1:1 | Angle: ± 0.5° Radius: ± 5% | | | | | | | | | | | | | | |
| Part no.: 427120xxx | Material: Aluminium | Page 1 of 2 | furnipart® Delta 2 DK-8382 Hinnerup Phone: +45 87 64 35 00 Fax: +45 87 64 35 01 | | | | | | | | | | | | | | |
| COPYRIGHT: THIS DRAWING MAY NOT BE COPIED OR REPRODUCED IN ANY WAY WITHOUT DIRECT PERMISSION FROM FURNIPART A/S | | Weight: | | | | | | | | | | | | | | | |

No sharp edge on the entire front edge
Radius 0,5



DETAIL B
SCALE 3:1

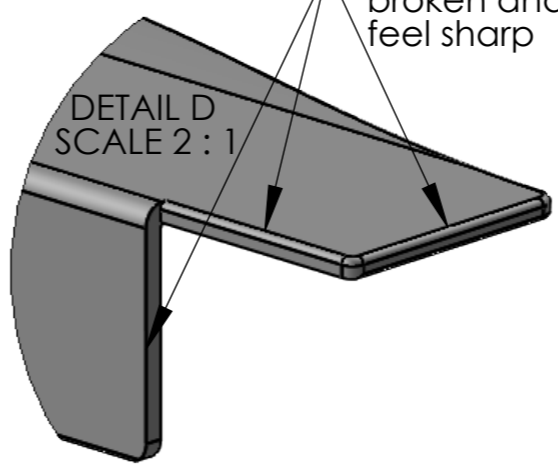
B



No sharp edge on the entire front edge
Radius 0,5

Edge must be broken and don't feel sharp

DETAIL D
SCALE 2:1



| | | | | | | | | | | | | | | | | | |
|--|--|----------------------------|---|--------|---------|----------|-----------|---------|----------|-----------|-------|-------|-------|-------|-------|-------|-------|
| Part name: TORRANCE | Projection: | Sheet format: A3 | Tolerance unless otherwise specified DS/ISO 2768-1M Linear dimensions: <table border="1"> <tr> <td>0-3</td> <td>3-6</td> <td>6-30</td> <td>30-120</td> <td>120-400</td> <td>400-1000</td> <td>1000-2000</td> </tr> <tr> <td>± 0.1</td> <td>± 0.1</td> <td>± 0.2</td> <td>± 0.3</td> <td>± 0.5</td> <td>± 0.8</td> <td>± 1.2</td> </tr> </table> | 0-3 | 3-6 | 6-30 | 30-120 | 120-400 | 400-1000 | 1000-2000 | ± 0.1 | ± 0.1 | ± 0.2 | ± 0.3 | ± 0.5 | ± 0.8 | ± 1.2 |
| 0-3 | 3-6 | 6-30 | | 30-120 | 120-400 | 400-1000 | 1000-2000 | | | | | | | | | | |
| ± 0.1 | ± 0.1 | ± 0.2 | ± 0.3 | ± 0.5 | ± 0.8 | ± 1.2 | | | | | | | | | | | |
| Customer: | Drawn by: ps date 09.09.2014 | Scale: 1:1 | <table border="1"> <tr> <td>Angle</td> <td>Radius</td> <td></td> <td></td> </tr> <tr> <td>± 0.5°</td> <td>± 5%</td> <td></td> <td></td> </tr> </table> | Angle | Radius | | | ± 0.5° | ± 5% | | | | | | | | |
| Angle | Radius | | | | | | | | | | | | | | | | |
| ± 0.5° | ± 5% | | | | | | | | | | | | | | | | |
| Part no.: 427120xxx | Material: Aluminium | Page 2 of 2 | Delta 2 DK-8382 Hinnerup Phone: +45 87 64 35 00 Fax: +45 87 64 35 01 | | | | | | | | | | | | | | |
| Rev.: Date: Name: Description: J 07-01-2022 MCH C/C on length 195,5 corrected, and curves added to length 1948 I 16-07-2021 MCH RA and RB corrected on 445,5 H 15-07-2021 MCH Length 445,5 added G 25-09-2019 MCH Length 345,5 added | | Weight: | | | | | | | | | | | | | | | |
| COPYRIGHT: THIS DRAWING MAY NOT BE COPIED OR REPRODUCED IN ANY WAY WITHOUT DIRECT PERMISSION FROM FURNIPART A/S | | | | | | | | | | | | | | | | | |