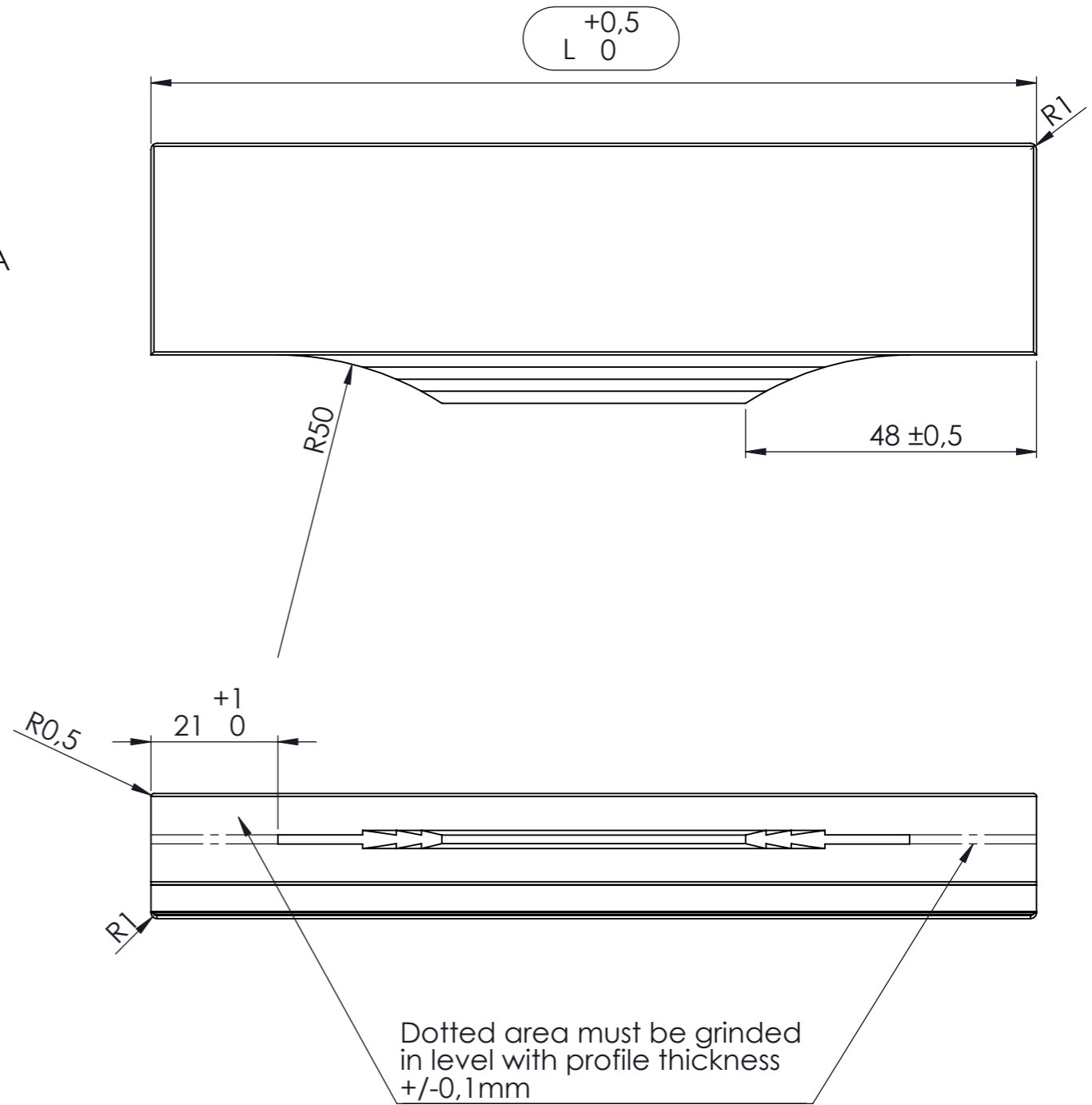
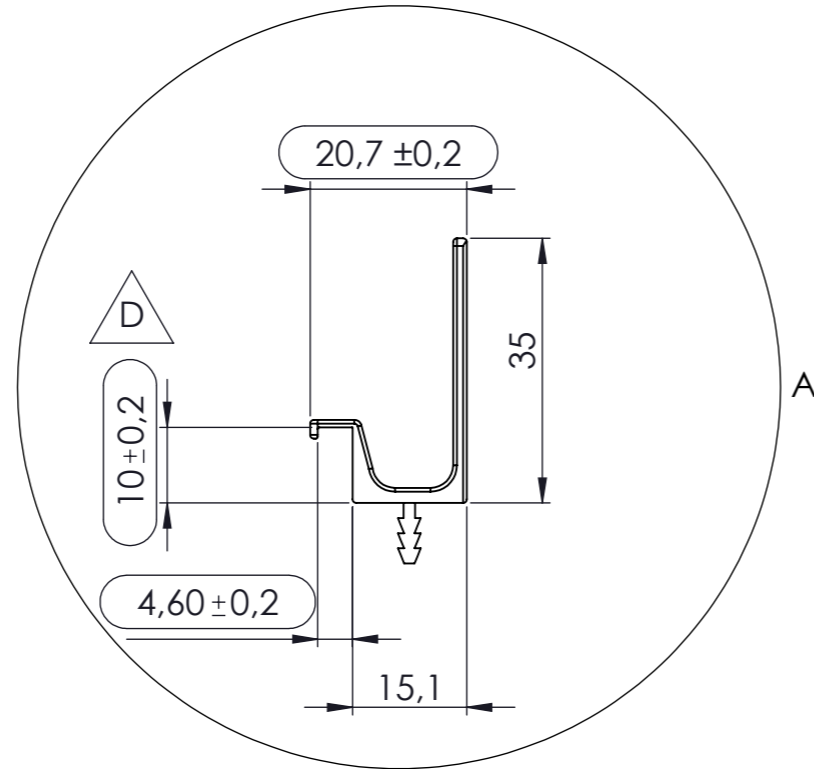


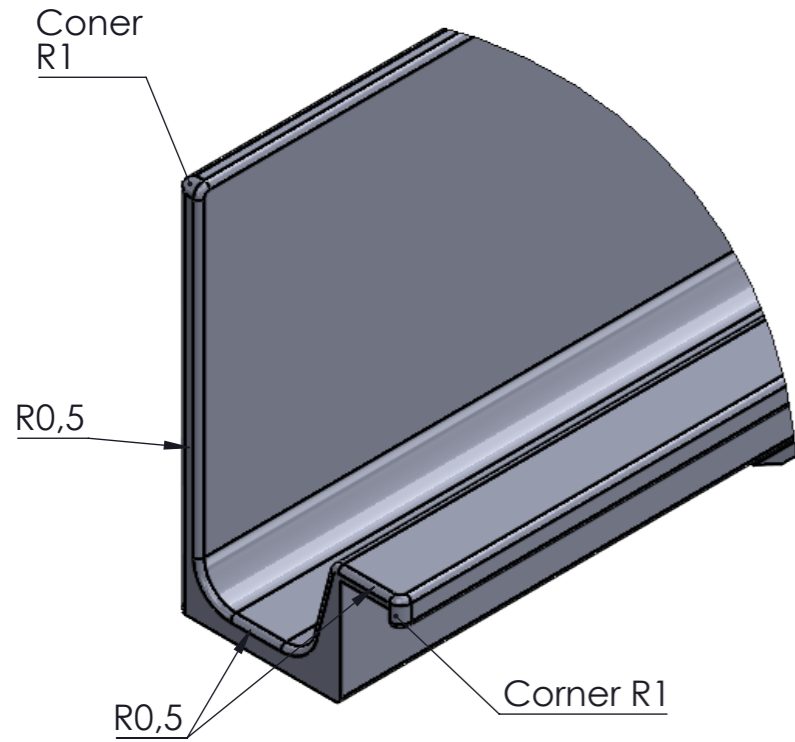
DETAIL A  
SCALE 3 : 1



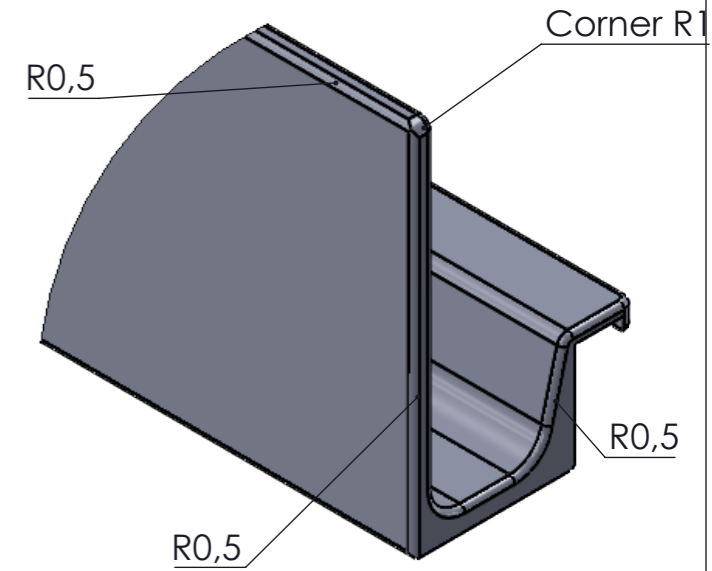
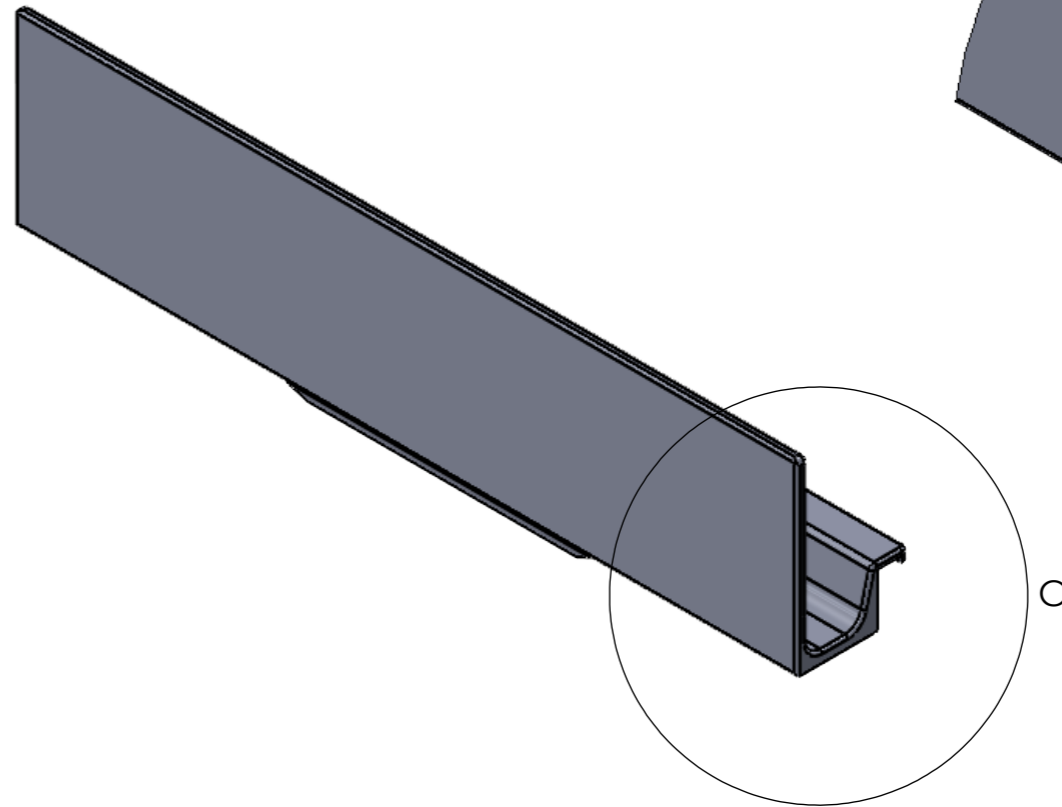
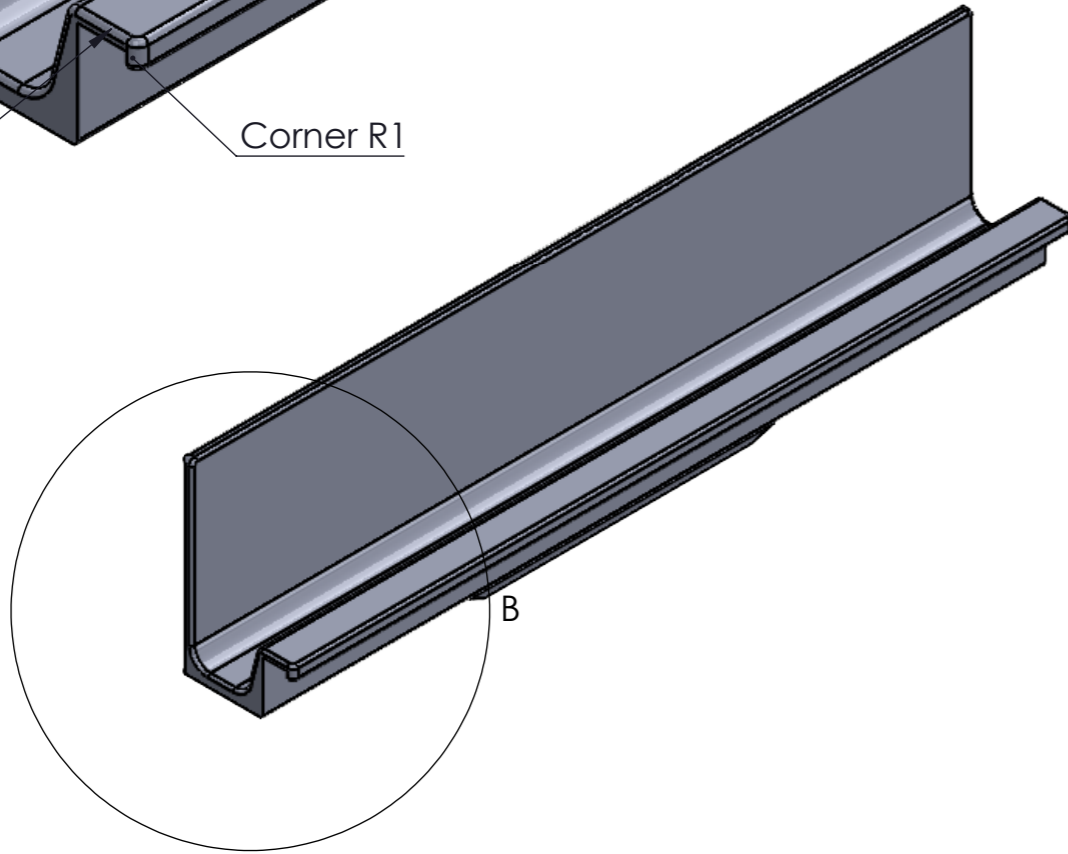
| Part no.   | L    |
|------------|------|
| 427320146  | 146  |
| 427320296  | 296  |
| 427320396  | 396  |
| 427320446  | 446  |
| 427320496  | 496  |
| 427320546  | 546  |
| 427320596  | 596  |
| 427320648  | 648  |
| 427320696  | 696  |
| 427320796  | 796  |
| 427320896  | 896  |
| 427320996  | 996  |
| 4273201196 | 1196 |

| Rev.: | Date:      | Name: | Description:   |
|-------|------------|-------|--|
| D     | 10-08-2022 | MLR   | Inner measurements highlighted for quality inspection. |
| C     | 10-09-2020 | MCH   | Drawing remade and length 468 added                    |
| B     | 12-03-2015 | PS    | Corner radius changed from R0,5 to R1                  |
| A     | 11-11-2014 | PS    | New length 546 and 696 added                           |

|   |                                 |   |  |
|---|---------------------------------|---|--|
| Part name:<br><b>Wall 10</b>  | Projection:<br>                 | Sheet format:<br><b>A3</b>  | Tolerance unless otherwise specified DS/ISO 2768-1M<br>Linear dimensions:<br>0-3 ±0,1    3-6 ±0,1    6-30 ±0,2    30-120 ±0,3    120-400 ±0,5    400-1000 ±0,8    1000-2000 ±1,2 |
| Designer:   | Drawn by:<br>ps date 24.10.2014 | Scale:<br><b>1:1</b>  |  |
| Part no.: <b>427320xxx</b>  | Sheet 1 of 2                    | AngleRadius<br>±0,5°    ±5%   |  |
| Material:<br><b>Aluminium</b>   | Weight:                         | <br>Delta 2    Phone: +45 87 64 35 00<br>DK-8382 Hinnerup    E-mail: fp@furnipart.com |  |
| COPYRIGHT: THIS DRAWING MAY NOT BE COPIED OR REPRODUCED IN ANY WAY WITHOUT DIRECT PERMISSION FROM FURNIPART A/S |                                 |   |  |



DETAIL B  
SCALE 2 : 1



DETAIL C  
SCALE 2 : 1

| Rev.: | Date:      | Name: | Description:   |
|-------|------------|-------|--|
| C     | 10-09-2020 | MCH   | Drawing remade and length 468 added                      |
| B     | 12-03-2015 | PS    | Corner radius changed from R0,5 to R1                    |
| A     | 11-11-2014 | PS    | New length 546 and 696 added                             |
| A     | 11-11-2014 | PS    | Change of dimension 2,3 to 3,0 and 53 to 48 and 26 to 21 |

|   |                                 |   |   |        |                    |          |           |      |        |         |          |           |  |      |      |      |      |      |      |      |
|---|---------------------------------|---|---|--------|--------------------|----------|-----------|------|--------|---------|----------|-----------|--|------|------|------|------|------|------|------|
| Part name:<br><b>Wall 10</b>  | Projection:<br>                 | Sheet format:<br><b>A3</b>  | Tolerance unless otherwise specified DS/ISO 2768-1M   |        |                    |          |           |      |        |         |          |           |  |      |      |      |      |      |      |      |
| Designer:   | Drawn by:<br>ps date 24.10.2014 | Scale:<br>1:1   | <table border="1"> <tr> <td>Linear dimensions:</td> <td>0-3</td> <td>3-6</td> <td>6-30</td> <td>30-120</td> <td>120-400</td> <td>400-1000</td> <td>1000-2000</td> </tr> <tr> <td></td> <td>±0,1</td> <td>±0,1</td> <td>±0,2</td> <td>±0,3</td> <td>±0,5</td> <td>±0,8</td> <td>±1,2</td> </tr> </table> |        | Linear dimensions: | 0-3      | 3-6       | 6-30 | 30-120 | 120-400 | 400-1000 | 1000-2000 |  | ±0,1 | ±0,1 | ±0,2 | ±0,3 | ±0,5 | ±0,8 | ±1,2 |
| Linear dimensions:  | 0-3                             | 3-6   | 6-30  | 30-120 | 120-400            | 400-1000 | 1000-2000 |      |        |         |          |           |  |      |      |      |      |      |      |      |
|   | ±0,1                            | ±0,1  | ±0,2  | ±0,3   | ±0,5               | ±0,8     | ±1,2      |      |        |         |          |           |  |      |      |      |      |      |      |      |
| Part no.: <b>427320xxx</b>  | Material:<br><b>Aluminium</b>   | Sheet 2 of 2  | <table border="1"> <tr> <td>Angle</td> <td>Radius</td> </tr> <tr> <td>±0,5°</td> <td>±5%</td> </tr> </table>  |        | Angle              | Radius   | ±0,5°     | ±5%  |        |         |          |           |  |      |      |      |      |      |      |      |
| Angle   | Radius                          |   |   |        |                    |          |           |      |        |         |          |           |  |      |      |      |      |      |      |      |
| ±0,5°   | ±5%                             |   |   |        |                    |          |           |      |        |         |          |           |  |      |      |      |      |      |      |      |
|   |                                 | Weight:   |   |        |                    |          |           |      |        |         |          |           |  |      |      |      |      |      |      |      |
|   |                                 | Delta 2 Phone: +45 87 64 35 00<br>DK-8382 Hinnerup E-mail: fp@furnipart.com |   |        |                    |          |           |      |        |         |          |           |  |      |      |      |      |      |      |      |
| COPYRIGHT: THIS DRAWING MAY NOT BE COPIED OR REPRODUCED IN ANY WAY WITHOUT DIRECT PERMISSION FROM FURNIPART A/S |                                 |   |   |        |                    |          |           |      |        |         |          |           |  |      |      |      |      |      |      |      |