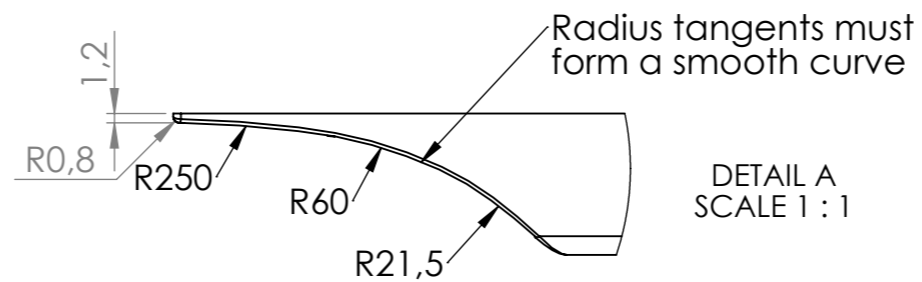


SECTION B-B
SCALE 2 : 1

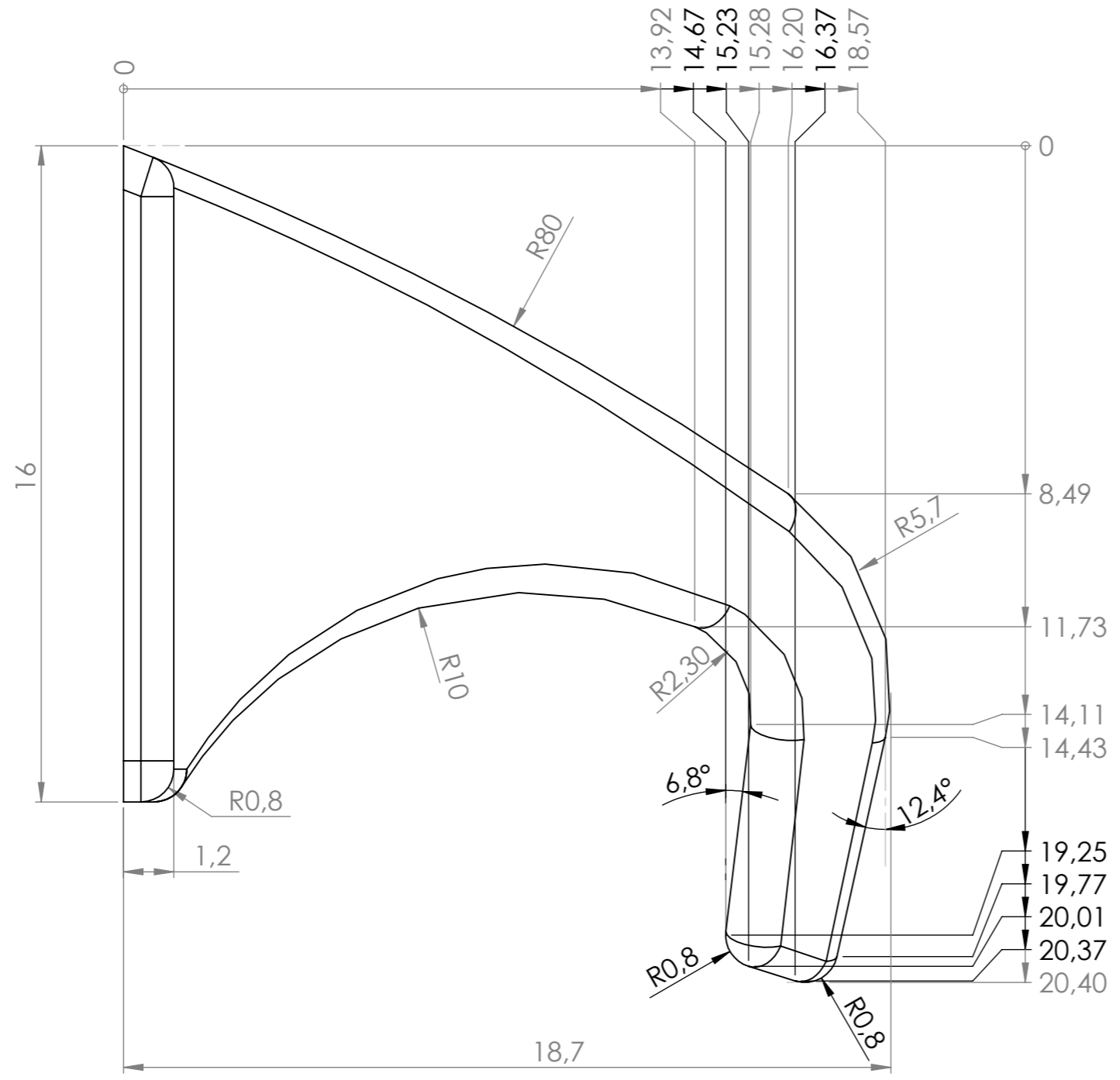
PART NO.	LENGTH	C/C	NUMBER OF HOLES
429120139	139	19	2
429120189	189	69	2
429120192	192	72	2
4291202185	218,5	98,5	2
429120239	239	119	2
4291202425	242,5	122,5	2
429120246	246	126	2
429120283	283	81,5	3
429120289	289	84,5	3
429120303	303	91,5	3
429120313	313	96,5	3
429120332	332	106	3
429120339	339	109,5	3
429120389	389	134,5	3
429120413	413	146,5	3
429120439	439	159,5	3
429120463	463	114,33	4
429120489	489	123	4
429120539	539	139,67	4
429120589	589	156,33	4
429120689	689	142,25	5
429120789	789	167,25	5
429120889	889	153,8	6
429120989	989	144,83	7
4291201089	1089	161,5	7
4291201189	1189	152,7	8



DETAIL A
SCALE 1 : 1

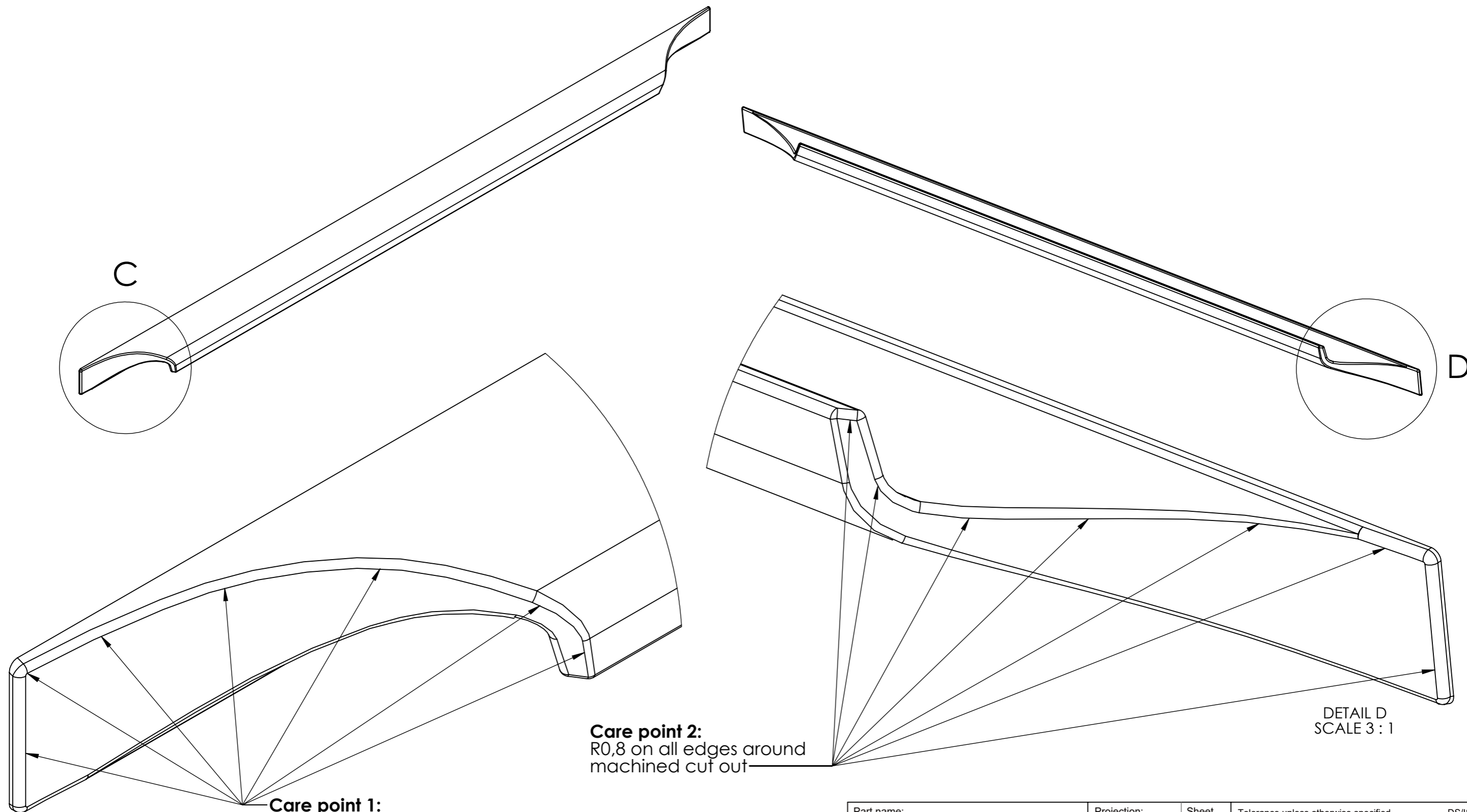
Rev.:	Date:	Name:	Description:
H	12-11-2021	MCH	Screw depth changed from 10 to 9mm
G	09-12-2019	MCH	New length added 539
F	07-08-2018	MCH	Length changed 244,5 to 242,5
E	24-07-2018	MCH	Length changed: 218 to 218,5 and 244 to 244,5
D	20-06-2018	MCH	New length added: 218 and 244
C	30-07-2015	PS	Rounded corner R6 removed

Part name: PRIMO SLIM	Projection: 	Sheet format: A3	Tolerance unless otherwise specified DS/ISO 2768-1M
Customer:	Drawn by: ikr date 06.12.2014	Scale: 1:2	
Part no.: 429120xxx	Material: Aluminium	Weight: 180,51 grams	Linear dimensions: 0-3 ± 0.1 3-6 ± 0.1 6-30 ± 0.2 30-120 ± 0.3 120-400 ± 0.5 400-1000 ± 0.8 1000-2000 ± 1.2 2000-4000 ± 2
Page 1 of 3			Angle: ± 0.5° Radius: ± 0.2
COPYRIGHT: THIS DRAWING MAY NOT BE COPIED OR REPRODUCED IN ANY WAY WITHOUT DIRECT PERMISSION FROM FURNIPART A/S			furnipart® Delta 2 DK-8382 Hinnerup Phone: +45 87 64 35 00 Fax: +45 87 64 35 01



Rev.:	Date:	Name:	Description:
H	12-11-2021	MCH	Screw depth changed from 10 to 9mm
G	09-12-2019	MCH	New length added 539
F	07-08-2018	MCH	Length changed 244,5 to 242,5
E	24-07-2018	MCH	Length changed: 218 to 218,5 and 244 to 244,5
D	20-06-2018	MCH	New length added: 218 and 244
C	30-07-2015	PS	Rounded corner R6 removed

Part name: PRIMO SLIM	Projection: 	Sheet format: A3	Tolerance unless otherwise specified DS/ISO 2768-1M																						
Customer:	Drawn by: ikr date 06.12.2014	Scale: 1:2																							
Part no.: 429120xxx	Material: Aluminium	Weight: 180,51 grams	<table border="1"> <tr> <th>Linear dimensions:</th> <th>0-3</th> <th>3-6</th> <th>6 - 30</th> <th>30- 120</th> <th>120- 400</th> <th>400- 1000</th> <th>1000- 2000</th> <th>2000- 4000</th> </tr> <tr> <td></td> <td>± 0.1</td> <td>± 0.1</td> <td>± 0.2</td> <td>± 0.3</td> <td>± 0.5</td> <td>± 0.8</td> <td>± 1.2</td> <td>± 2</td> </tr> </table> <table border="1"> <tr> <th>Angle</th> <th>Radius</th> </tr> <tr> <td>± 0.5°</td> <td>± 0.2</td> </tr> </table>	Linear dimensions:	0-3	3-6	6 - 30	30- 120	120- 400	400- 1000	1000- 2000	2000- 4000		± 0.1	± 0.1	± 0.2	± 0.3	± 0.5	± 0.8	± 1.2	± 2	Angle	Radius	± 0.5°	± 0.2
Linear dimensions:	0-3	3-6	6 - 30	30- 120	120- 400	400- 1000	1000- 2000	2000- 4000																	
	± 0.1	± 0.1	± 0.2	± 0.3	± 0.5	± 0.8	± 1.2	± 2																	
Angle	Radius																								
± 0.5°	± 0.2																								
Page 2 of 3		 Delta 2 Phone: +45 87 64 35 00 DK-8382 Hinnerup Fax: +45 87 64 35 01																							
COPYRIGHT: THIS DRAWING MAY NOT BE COPIED OR REPRODUCED IN ANY WAY WITHOUT DIRECT PERMISSION FROM FURNIPART A/S																									



DETAIL C
SCALE 3 : 1

Care point 1:
R0,8 on all edges around
machined cut out

Care point 2:
R0,8 on all edges around
machined cut out

DETAIL D
SCALE 3 : 1

Rev.:	Date:	Name:	Description:
H	12-11-2021	MCH	Screw depth changed from 10 to 9mm
G	09-12-2019	MCH	New length added 539
F	07-08-2018	MCH	Length changed 244,5 to 242,5
E	24-07-2018	MCH	Length changed: 218 to 218,5 and 244 to 244,5
D	20-06-2018	MCH	New length added: 218 and 244
C	30-07-2015	PS	Rounded corner R6 removed

Part name: PRIMO SLIM	Projection: 	Sheet format: A3	Tolerance unless otherwise specified DS/ISO 2768-1M																																				
Customer:	Drawn by: ikr date 06.12.2014	Scale: 1:2																																					
Part no.: 429120xxx	Material: Aluminium	Weight: 180,51 grams	<table border="1"> <tr> <th>Linear dimensions:</th> <th>0-3</th> <th>3-6</th> <th>6 - 30</th> <th>30- 120</th> <th>120- 400</th> <th>400- 1000</th> <th>1000- 2000</th> <th>2000 4000</th> </tr> <tr> <td></td> <td>± 0.1</td> <td>± 0.1</td> <td>± 0.2</td> <td>± 0.3</td> <td>± 0.5</td> <td>± 0.8</td> <td>± 1.2</td> <td>± 2</td> </tr> <tr> <td></td> <td colspan="2">Angle</td> <td colspan="2">Radius</td> <td colspan="4"></td> </tr> <tr> <td></td> <td colspan="2">± 0.5°</td> <td colspan="2">± 0.2</td> <td colspan="4"></td> </tr> </table>	Linear dimensions:	0-3	3-6	6 - 30	30- 120	120- 400	400- 1000	1000- 2000	2000 4000		± 0.1	± 0.1	± 0.2	± 0.3	± 0.5	± 0.8	± 1.2	± 2		Angle		Radius							± 0.5°		± 0.2					
Linear dimensions:	0-3	3-6	6 - 30	30- 120	120- 400	400- 1000	1000- 2000	2000 4000																															
	± 0.1	± 0.1	± 0.2	± 0.3	± 0.5	± 0.8	± 1.2	± 2																															
	Angle		Radius																																				
	± 0.5°		± 0.2																																				
		Page 3 of 3	 Delta 2 DK-8382 Hinnerup Phone: +45 87 64 35 00 Fax: +45 87 64 35 01																																				
COPYRIGHT: THIS DRAWING MAY NOT BE COPIED OR REPRODUCED IN ANY WAY WITHOUT DIRECT PERMISSION FROM FURNIPART A/S																																							