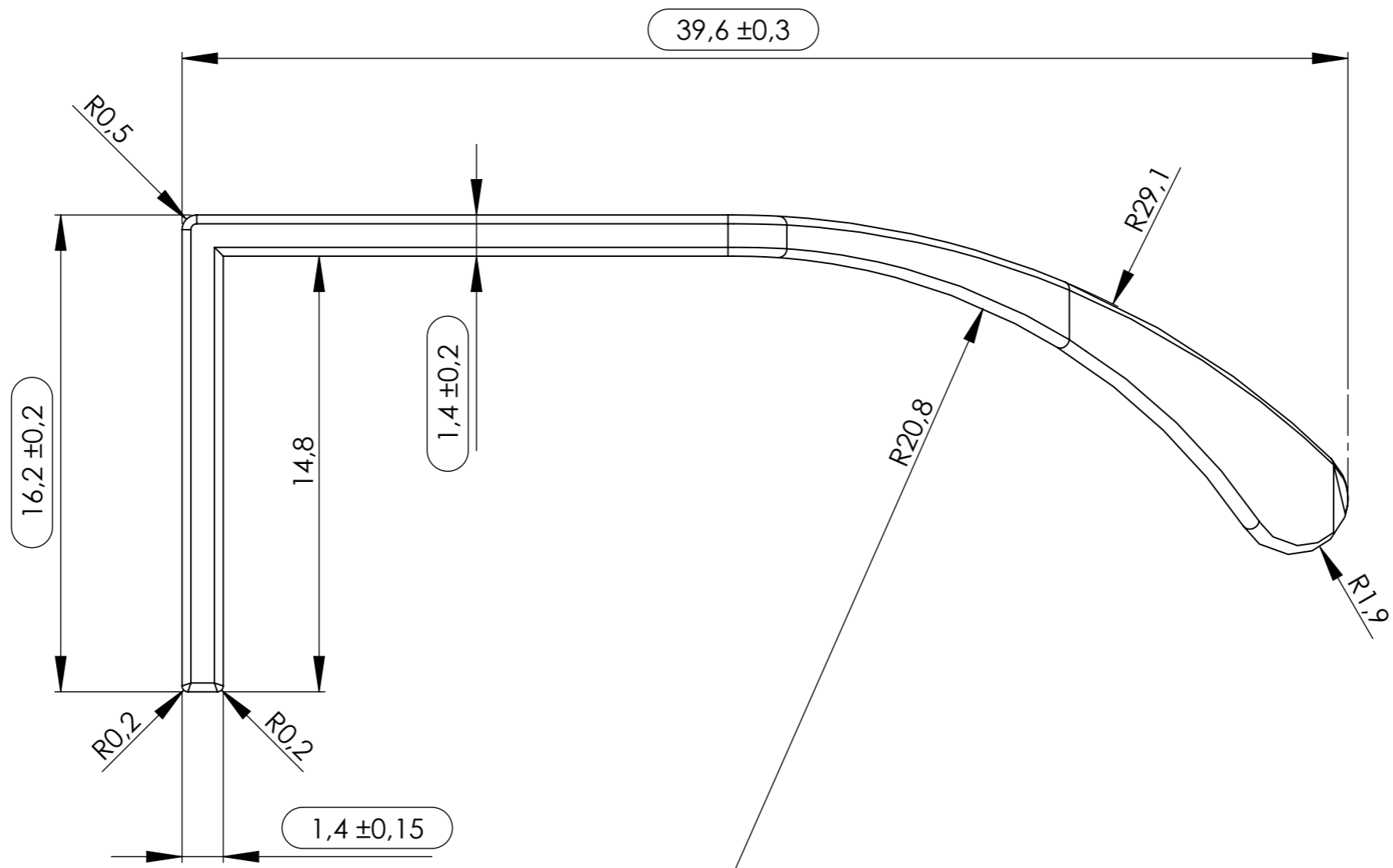


PART NO.	L	C/C	Number of holes
4300201962	196,2	74	3
4300202962	296,2	124	3
4300203462	346,2	99,33	4
4300203962	396,2	116	4
4300204462	446,2	99,5	5
4300204962	496,2	112	5
4300205722	572,2	104,8	6
4300205962	596,2	109,6	6
4300206962	696,2	108	7
4300207002	700,2	108,67	7
4300207962	796,2	93,5	9
4300208962	896,2	94,22	10
4300209962	996,2	94,8	11
43002011962	1196,2	95,67	13
43002012442	1244,2	92	14
43002014362	1436,2	92,53	16
43002018202	1820,2	104,23	18
43002019482	1948,2	100	20
43002021402	2140,2	104,6	21

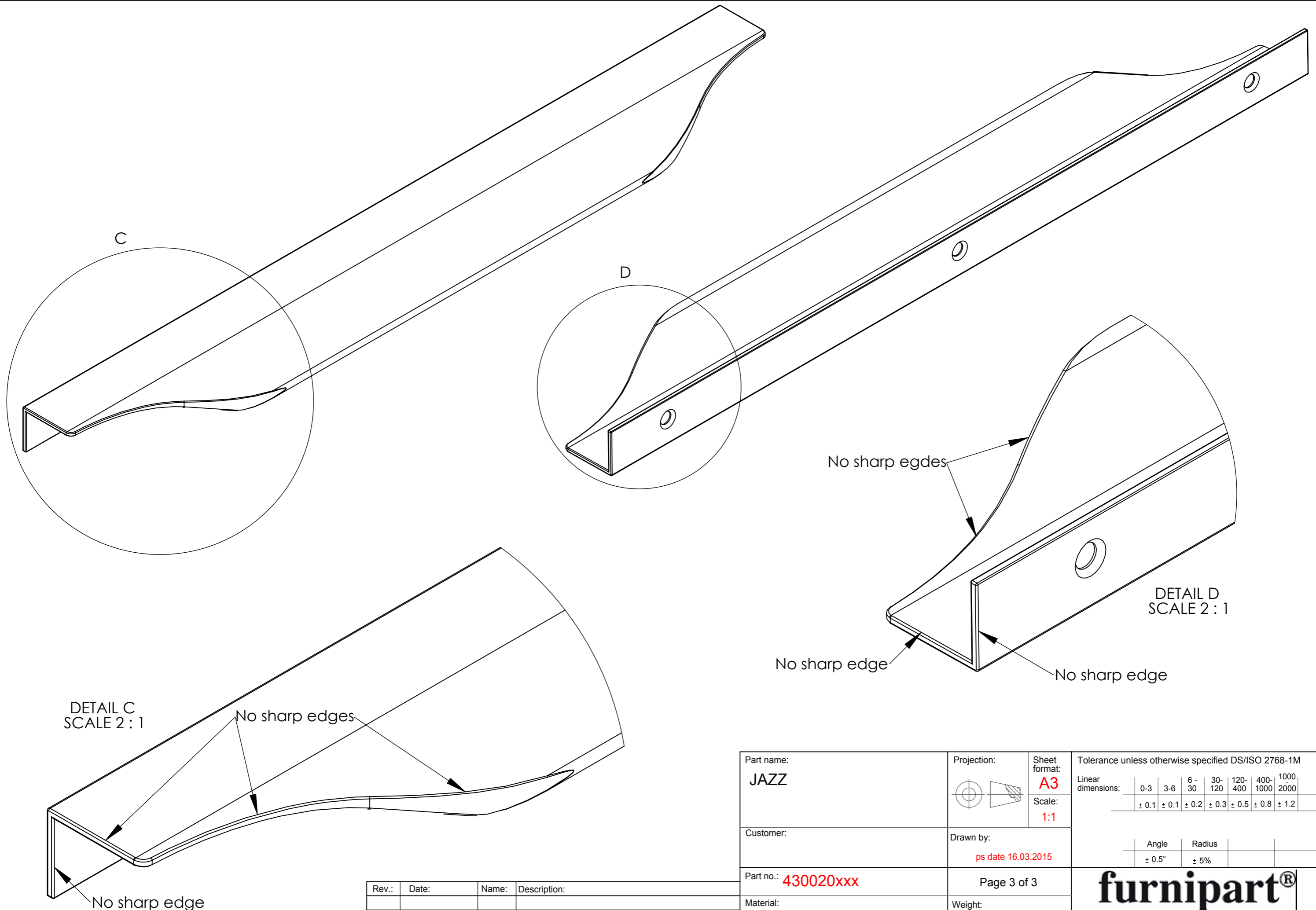
Rev.:	Date:	Name:	Description:

Part name: JAZZ	Projection: 	Sheet format: A3	Tolerance unless otherwise specified DS/ISO 2768-1M Linear dimensions: <table border="1"> <tr> <td>0-3</td><td>3-6</td><td>6-30</td><td>30-120</td><td>120-400</td><td>400-1000</td><td>1000-2000</td> </tr> <tr> <td>± 0.1</td><td>± 0.1</td><td>± 0.2</td><td>± 0.3</td><td>± 0.5</td><td>± 0.8</td><td>± 1.2</td> </tr> </table>	0-3	3-6	6-30	30-120	120-400	400-1000	1000-2000	± 0.1	± 0.1	± 0.2	± 0.3	± 0.5	± 0.8	± 1.2
0-3	3-6	6-30		30-120	120-400	400-1000	1000-2000										
± 0.1	± 0.1	± 0.2	± 0.3	± 0.5	± 0.8	± 1.2											
Customer:	Drawn by: ps date 16.03.2015	Scale: 1:1															
Part no.: 430020xxx	Page 1 of 3		 Delta 2 DK-8382 Hinnerup Phone: +45 87 64 35 00 Fax: +45 87 64 35 01														
Material: Aluminium	Weight:																

Copyright: THIS DRAWING MAY NOT BE COPIED OR REPRODUCED IN ANY WAY WITHOUT DIRECT PERMISSION FROM FURNIPART A/S



Part name: JAZZ	Projection: 	Sheet format: A3	Tolerance unless otherwise specified DS/ISO 2768-1M Linear dimensions: <table border="1"> <tr> <td>0-3</td> <td>3-6</td> <td>6-30</td> <td>30-120</td> <td>120-400</td> <td>400-1000</td> <td>1000-2000</td> </tr> <tr> <td>± 0.1</td> <td>± 0.1</td> <td>± 0.2</td> <td>± 0.3</td> <td>± 0.5</td> <td>± 0.8</td> <td>± 1.2</td> </tr> </table>	0-3	3-6	6-30	30-120	120-400	400-1000	1000-2000	± 0.1	± 0.1	± 0.2	± 0.3	± 0.5	± 0.8	± 1.2
0-3	3-6	6-30		30-120	120-400	400-1000	1000-2000										
± 0.1	± 0.1	± 0.2	± 0.3	± 0.5	± 0.8	± 1.2											
Customer:	Drawn by: ps date 16.03.2015	Scale: 5:1	<table border="1"> <tr> <td>Angle</td> <td>Radius</td> <td></td> <td></td> </tr> <tr> <td>$\pm 0.5^\circ$</td> <td>$\pm 5\%$</td> <td></td> <td></td> </tr> </table>	Angle	Radius			$\pm 0.5^\circ$	$\pm 5\%$								
Angle	Radius																
$\pm 0.5^\circ$	$\pm 5\%$																
Part no.: 430020xxx	Material: Aluminium	Page 2 of 3	<p>Delta 2 DK-8382 Hinnerup Phone: +45 87 64 35 00 Fax: +45 87 64 35 01</p>														
Rev.:	Date:	Name:		Description:													



DETAIL C
SCALE 2 : 1

DETAIL D
SCALE 2 : 1

Rev.:	Date:	Name:	Description:

Part name: JAZZ	Projection: 	Sheet format: A3	Tolerance unless otherwise specified DS/ISO 2768-1M Linear dimensions: <table border="1"> <tr> <td>0-3</td> <td>3-6</td> <td>6-30</td> <td>30-120</td> <td>120-400</td> <td>400-1000</td> <td>1000-2000</td> </tr> <tr> <td>± 0.1</td> <td>± 0.1</td> <td>± 0.2</td> <td>± 0.3</td> <td>± 0.5</td> <td>± 0.8</td> <td>± 1.2</td> </tr> </table>	0-3	3-6	6-30	30-120	120-400	400-1000	1000-2000	± 0.1	± 0.1	± 0.2	± 0.3	± 0.5	± 0.8	± 1.2
0-3	3-6	6-30		30-120	120-400	400-1000	1000-2000										
± 0.1	± 0.1	± 0.2	± 0.3	± 0.5	± 0.8	± 1.2											
Customer:	Drawn by: ps date 16.03.2015	Scale: 1:1	<table border="1"> <tr> <td>Angle</td> <td>Radius</td> <td></td> <td></td> </tr> <tr> <td>± 0.5°</td> <td>± 5%</td> <td></td> <td></td> </tr> </table>	Angle	Radius			± 0.5°	± 5%								
Angle	Radius																
± 0.5°	± 5%																
Part no.: 430020xxx	Material: Aluminium	Page 3 of 3	<p>Delta 2 DK-8382 Hinnerup Phone: +45 87 64 35 00 Fax: +45 87 64 35 01</p>														
Weight:	COPYRIGHT: THIS DRAWING MAY NOT BE COPIED OR REPRODUCED IN ANY WAY WITHOUT DIRECT PERMISSION FROM FURNIPART A/S																