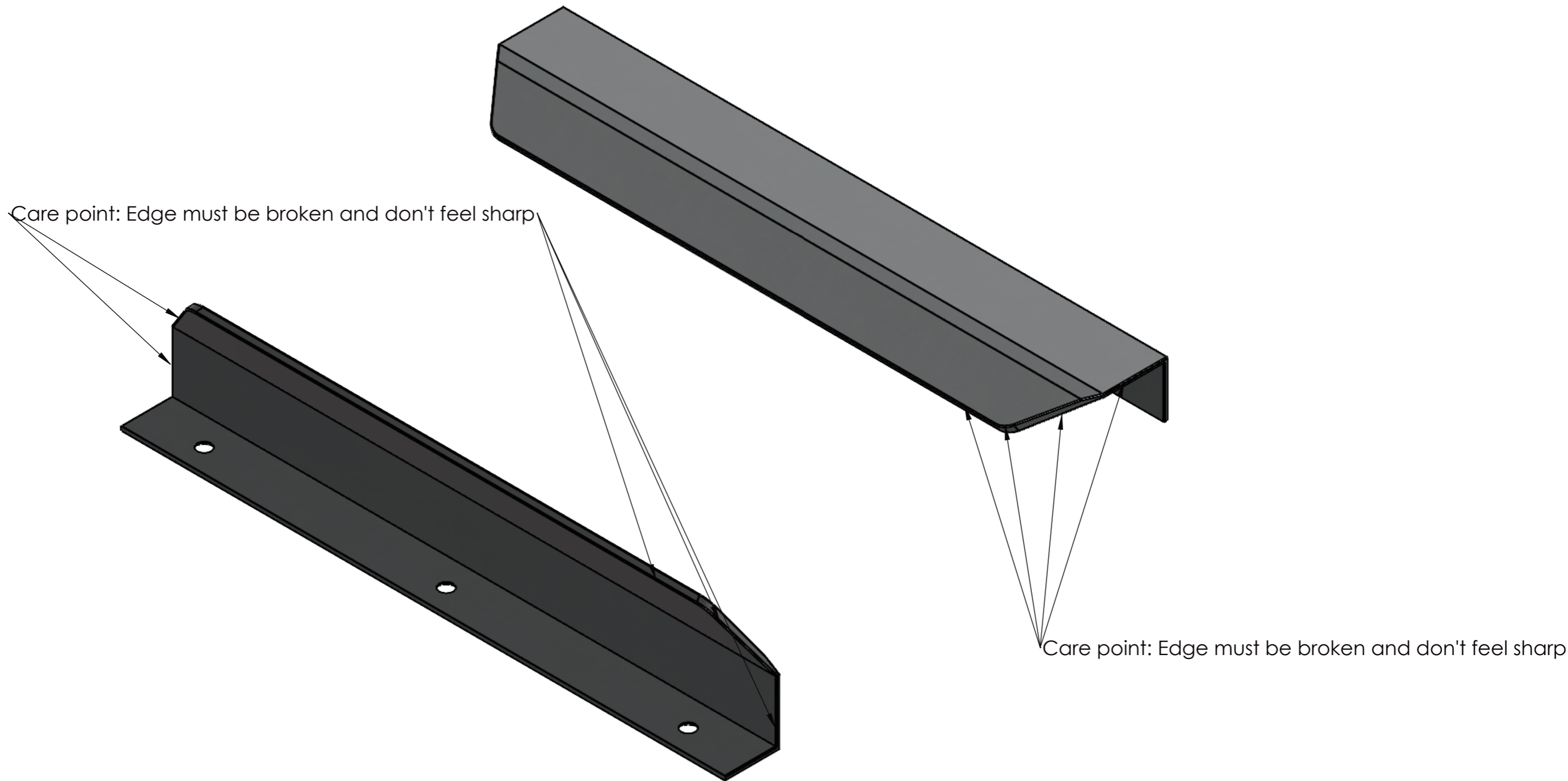


PART no.	L	C/C	Number of holes
434520060	60	20	2
434520146	146	120	2
434520200	200	80	3
434520296	296	120	3
434520350	350	160	3
434520991	991	224	5
4345201038	1038	336	4
4345201200	1200	160	8
4345201923	1923	315,5	7
4345202179	2179	307	8

Rev.:	Date:	Name:	Description:
A	15-11-2019	MCH	Updated drawing with tolerances
B	08-10-2020	MCH	Length added (2179)
C	19-10-2020	MCH	Lengths added (60; 146; 296; 991 and 1200)
D	18-12-2020	MCH	Length added (1038 and 1923) C/C changed on length 2179

Part name: BLAZE 2	Projection: 	Sheet format: <b>A3</b>	Tolerance unless otherwise specified DS/ISO 2768-1M Linear dimensions: <table border="1"> <tr> <td>0-3</td> <td>3-6</td> <td>6-30</td> <td>30-120</td> <td>120-400</td> <td>400-1000</td> <td>1000-2000</td> </tr> <tr> <td>±0,1</td> <td>±0,1</td> <td>±0,2</td> <td>±0,3</td> <td>±0,5</td> <td>±0,8</td> <td>±1,2</td> </tr> </table>	0-3	3-6	6-30	30-120	120-400	400-1000	1000-2000	±0,1	±0,1	±0,2	±0,3	±0,5	±0,8	±1,2
0-3	3-6	6-30		30-120	120-400	400-1000	1000-2000										
±0,1	±0,1	±0,2	±0,3	±0,5	±0,8	±1,2											
Customer:	Drawn by: IKR date 30-03-2017	Scale: <b>1:1</b>	AngleRadius ±0,5°    ±5%														
Part no.: <b>434520xxx</b>	Page 1 of 2	Material: <b>Aluminium</b>	 Delta 2 DK-8382 Hinnerup    Phone: +45 87 64 35 00 Fax: +45 87 64 35 01														
Weight: grams	COPYRIGHT: THIS DRAWING MAY NOT BE COPIED OR REPRODUCED IN ANY WAY WITHOUT DIRECT PERMISSION FROM FURNIPART A/S																



Rev.:	Date:	Name:	Description:
A	15-11-2019	MCH	Updated drawing with tolerances
B	08-10-2020	MCH	Length added (2179)
C	19-10-2020	MCH	Lengths added (60; 146; 296; 991 and 1200)
D	18-12-2020	MCH	Length added (1038 and 1923) C/C changed on length 2179

Part name: BLAZE 2	Projection: 	Sheet format: A3 Scale: 1:1	Tolerance unless otherwise specified DS/ISO 2768-1M																	
Designer:	Drawn by: IKR date 30-03-2017	<table border="1"> <tr> <td>Linear dimensions:</td> <td>0-3</td> <td>3-6</td> <td>6-30</td> <td>30-120</td> <td>120-400</td> <td>400-1000</td> <td>1000-2000</td> </tr> <tr> <td></td> <td>±0,1</td> <td>±0,1</td> <td>±0,2</td> <td>±0,3</td> <td>±0,5</td> <td>±0,8</td> <td>±1,2</td> </tr> </table>			Linear dimensions:	0-3	3-6	6-30	30-120	120-400	400-1000	1000-2000		±0,1	±0,1	±0,2	±0,3	±0,5	±0,8	±1,2
Linear dimensions:	0-3	3-6	6-30	30-120	120-400	400-1000	1000-2000													
	±0,1	±0,1	±0,2	±0,3	±0,5	±0,8	±1,2													
Part no.: 434520xxx	Sheet 2 of 2	<table border="1"> <tr> <td>Angle</td> <td>Radius</td> </tr> <tr> <td>±0,5°</td> <td>±5%</td> </tr> </table>			Angle	Radius	±0,5°	±5%												
Angle	Radius																			
±0,5°	±5%																			
Material: Aluminium	Weight:	 Delta 2 Phone: +45 87 64 35 00 DK-8382 Hinnerup E-mail: fp@furnipart.com																		
COPYRIGHT: THIS DRAWING MAY NOT BE COPIED OR REPRODUCED IN ANY WAY WITHOUT DIRECT PERMISSION FROM FURNIPART A/S																				