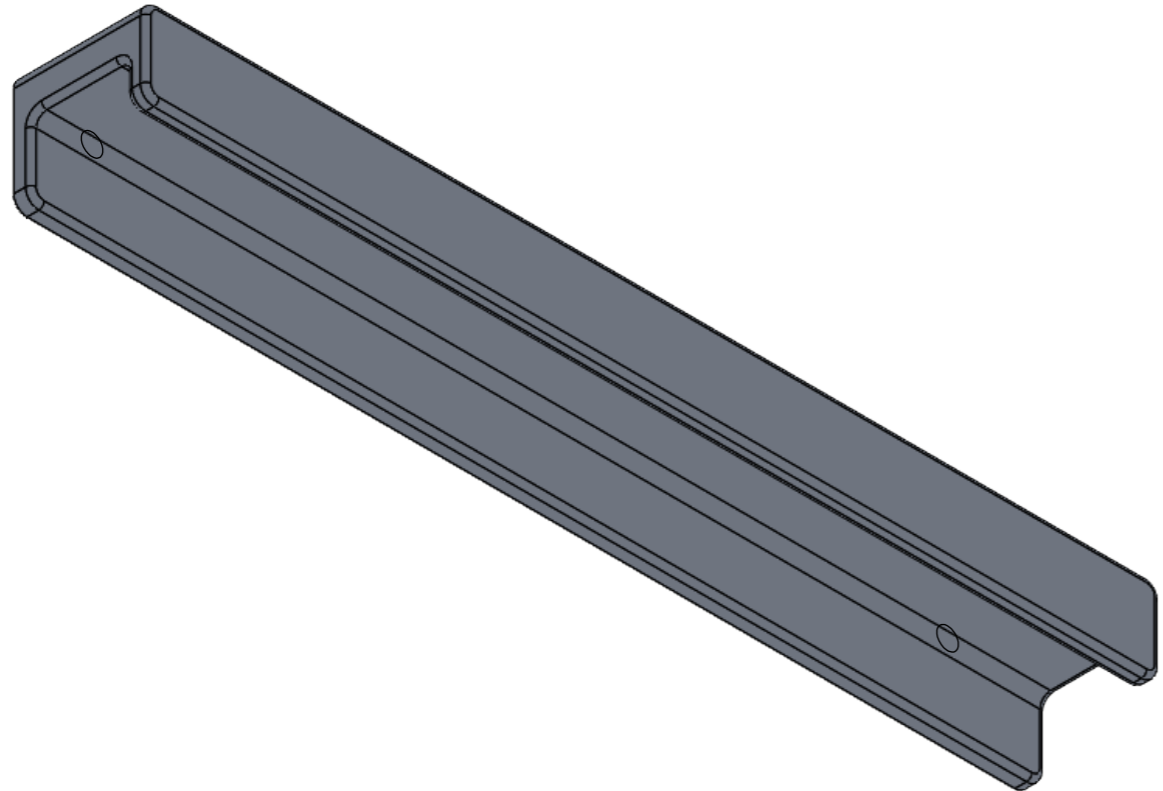
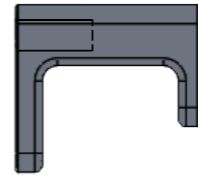
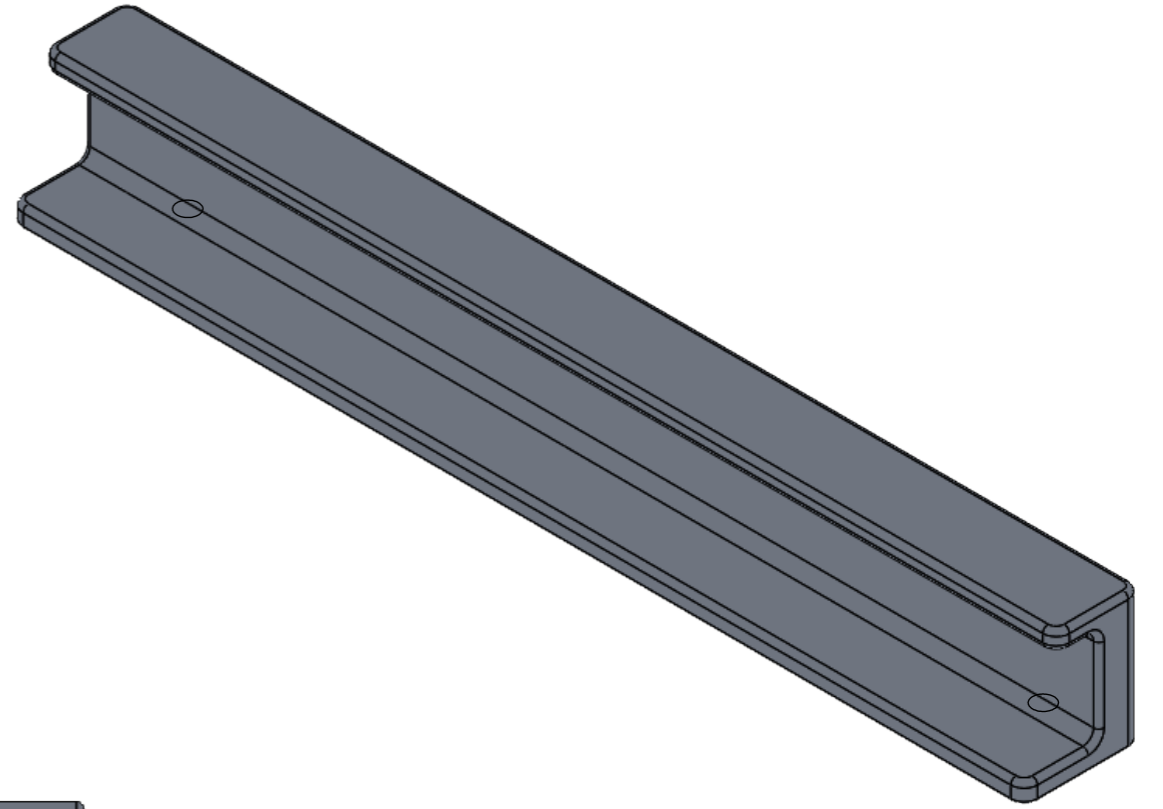
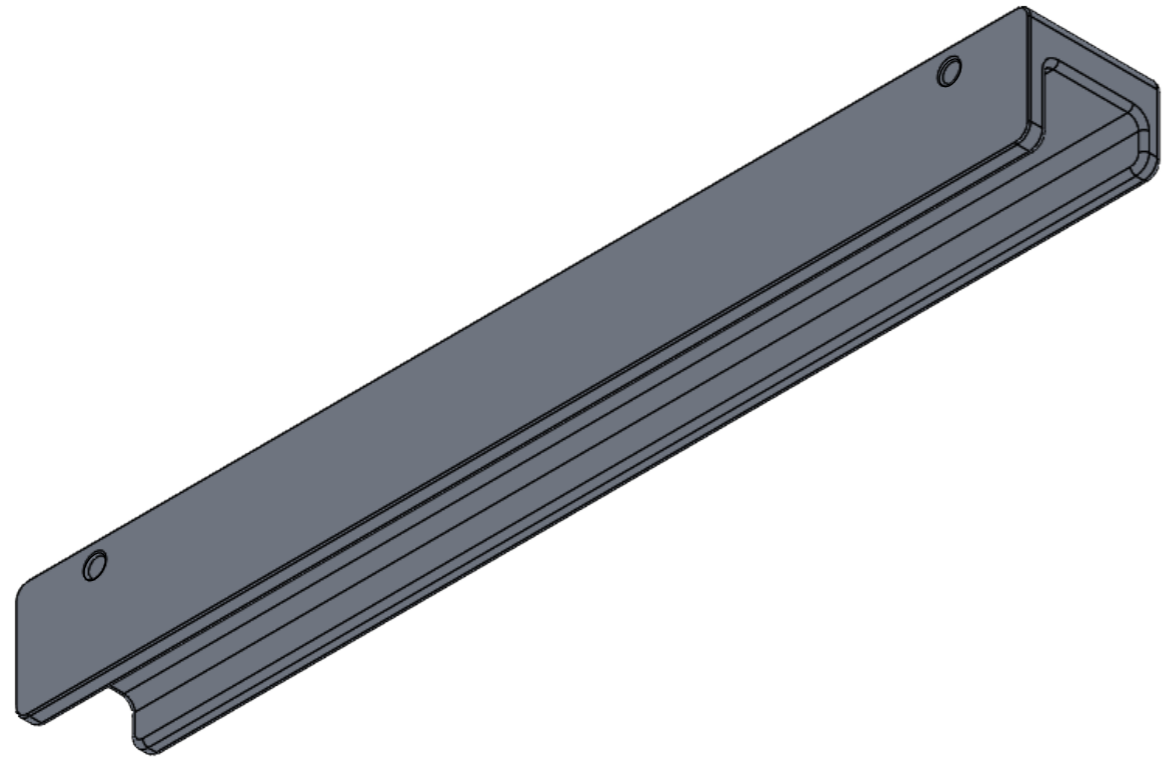


PART NO.	C/C 1 MM	C/C 2 MM	Center hole	LENGTH MM	WEIGHT GRAM
437620032	32			44	32.14
437620128	128			158	
437620160	160			190	141.65
437620192	192			222	
437620320	320			350	261.67
437620340	340		Yes	370	
437620350	350		Yes	380	
437620500	500		Yes	530	
437620560	560		Yes	590	
437620700	700	320		730	
437620850	850	320		880	
437620900	900	320	Yes	930	
437620970	970	320	yes	1000	
4376201170	1170	320	Yes	1200	

Rev.:	Date:	Name:	Description:
A	23-07-2018	MCH	Length added
B	24-10-2019	MCH	Lengths added
C	25-02-2021	MCH	Length added
--	---	---	---

Part name: STATION	Projection: 	Sheet format: A3	Tolerance unless otherwise specified DS/ISO 2768-1M Linear dimensions: 0-3 ±0,1 3-6 ±0,1 6-30 ±0,2 30-120 ±0,3 120-400 ±0,5 400-1000 ±0,8 1000-2000 ±1,2
Customer: XXX	Drawn by: IBL	Scale: 1:1	
Part no.: 437620XXX	Sheet 1 of 6	Angle ±0,5°	Radius ±5%
Material: Aluminium	Weight: XXX	 Delta 2 Phone: +45 87 64 35 00 DK-8382 Hinnerup E-mail: fp@furnipart.com	
COPYRIGHT: THIS DRAWING MAY NOT BE COPIED OR REPRODUCED IN ANY WAY WITHOUT DIRECT PERMISSION FROM FURNIPART A/S			



PART NO.	C/C MM	LENGTH MM	WEIGHT GRAM
437620032	32	44	32.14
437620160	160	190	141.65
437620192	192	222	
437620320	320	350	261.67

Rev.:	Date:	Name:	Description:
A	23-07-2018	MCH	Length added
B	24-10-2019	MCH	Lengths added
C	25-02-2021	MCH	Length added
--	---	---	---

Part name: STATION	Projection: 	Sheet format: A3	Tolerance unless otherwise specified DS/ISO 2768-1M Linear dimensions:														
Customer: XXX	Drawn by: IBL	Scale: 1:1															
Part no.: 437620XXX	Material: Aluminium	Sheet 2 of 6	<table border="1"> <thead> <tr> <th>0-3</th> <th>3-6</th> <th>6-30</th> <th>30-120</th> <th>120-400</th> <th>400-1000</th> <th>1000-2000</th> </tr> </thead> <tbody> <tr> <td>±0,1</td> <td>±0,1</td> <td>±0,2</td> <td>±0,3</td> <td>±0,5</td> <td>±0,8</td> <td>±1,2</td> </tr> </tbody> </table>	0-3	3-6	6-30	30-120	120-400	400-1000	1000-2000	±0,1	±0,1	±0,2	±0,3	±0,5	±0,8	±1,2
0-3	3-6	6-30	30-120	120-400	400-1000	1000-2000											
±0,1	±0,1	±0,2	±0,3	±0,5	±0,8	±1,2											
		Weight: XXX	<table border="1"> <thead> <tr> <th>Angle</th> <th>Radius</th> </tr> </thead> <tbody> <tr> <td>±0,5°</td> <td>±5%</td> </tr> </tbody> </table>	Angle	Radius	±0,5°	±5%										
Angle	Radius																
±0,5°	±5%																
COPYRIGHT: THIS DRAWING MAY NOT BE COPIED OR REPRODUCED IN ANY WAY WITHOUT DIRECT PERMISSION FROM FURNIPART A/S			<p>furnipart[®]</p> <p>Delta 2 Phone: +45 87 64 35 00 DK-8382 Hinnerup E-mail: fp@furnipart.com</p>														