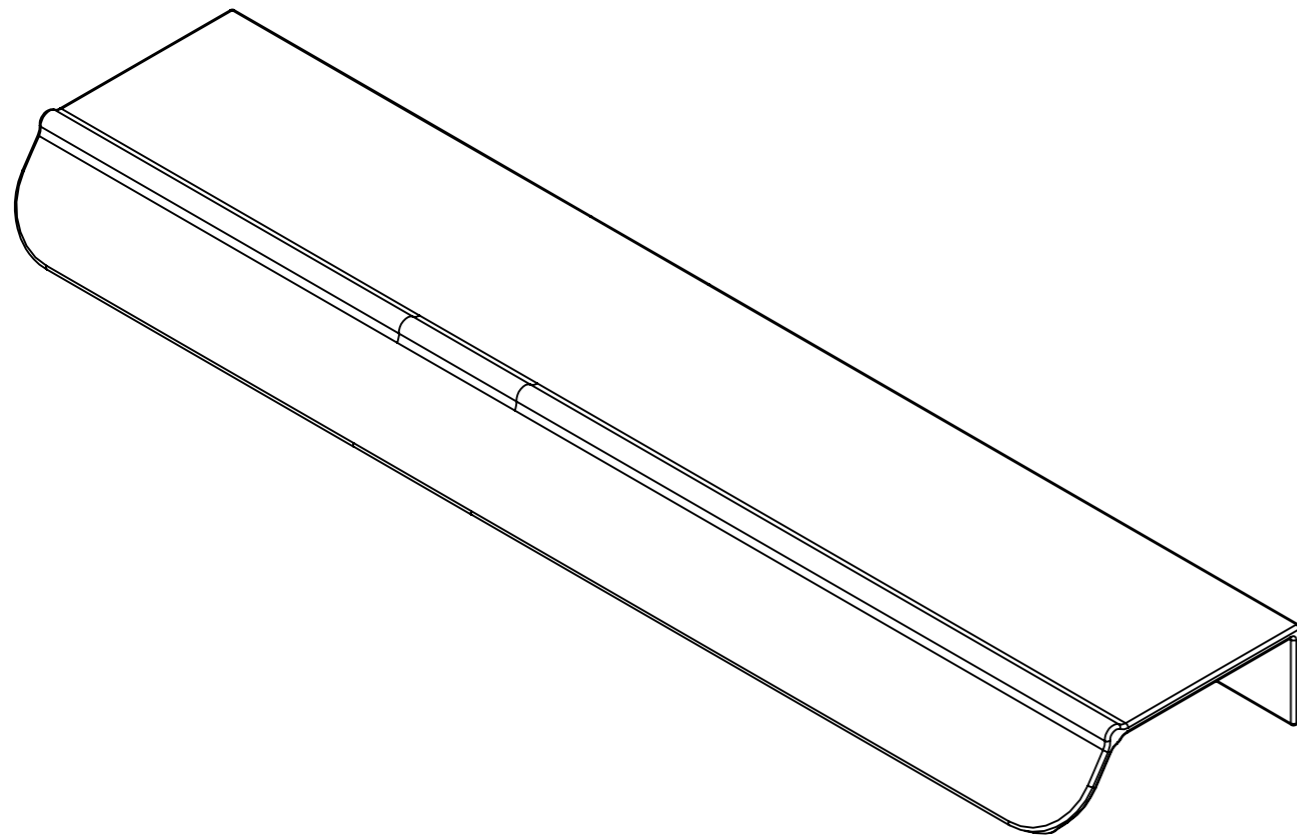


R9,5



Part no.	Lenght	C/C
446820050	50	32
446820200	200	160

Part name: <b>ACCENT</b>	Projection: 	Sheet format: <b>A3</b>	Tolerance unless otherwise specified DS/ISO 2768-1M							
Designer: Steffensen og Wurzt	Drawn by: MCH 26-08-2019	Scale: 1:1	Linear dimensions:	0-3	3-6	6-30	30-120	120-400	400-1000	1000-2000
Part no.: <b>446820xxx</b>	Material: <b>Aluminium</b>	Sheet 1 of 1		±0,1	±0,1	±0,2	±0,3	±0,5	±0,8	±1,2
		Weight:	Angle	±0,5°	Radius	±5%				
				<b>furnipart®</b>						
				Delta 2 Phone: +45 87 64 35 00 DK-8382 Hinnerup E-mail: fp@furnipart.com						

Rev.:	Date:	Name:	Description:
A	30-09-2019	MCH	Name added
B			
C			
D			