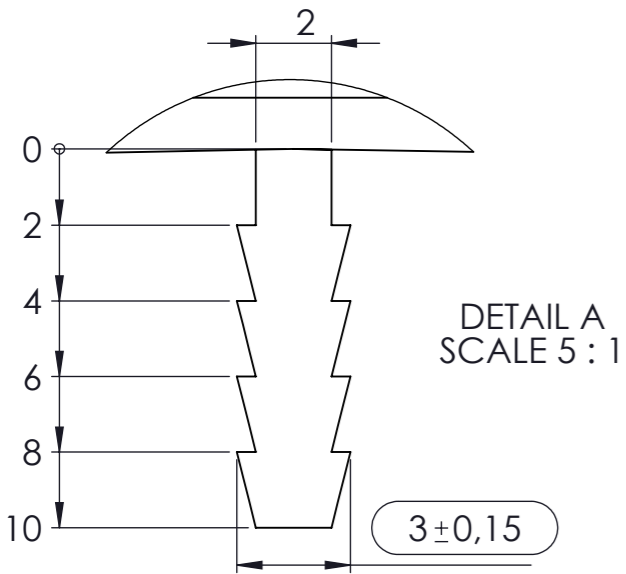
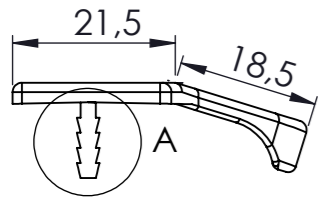
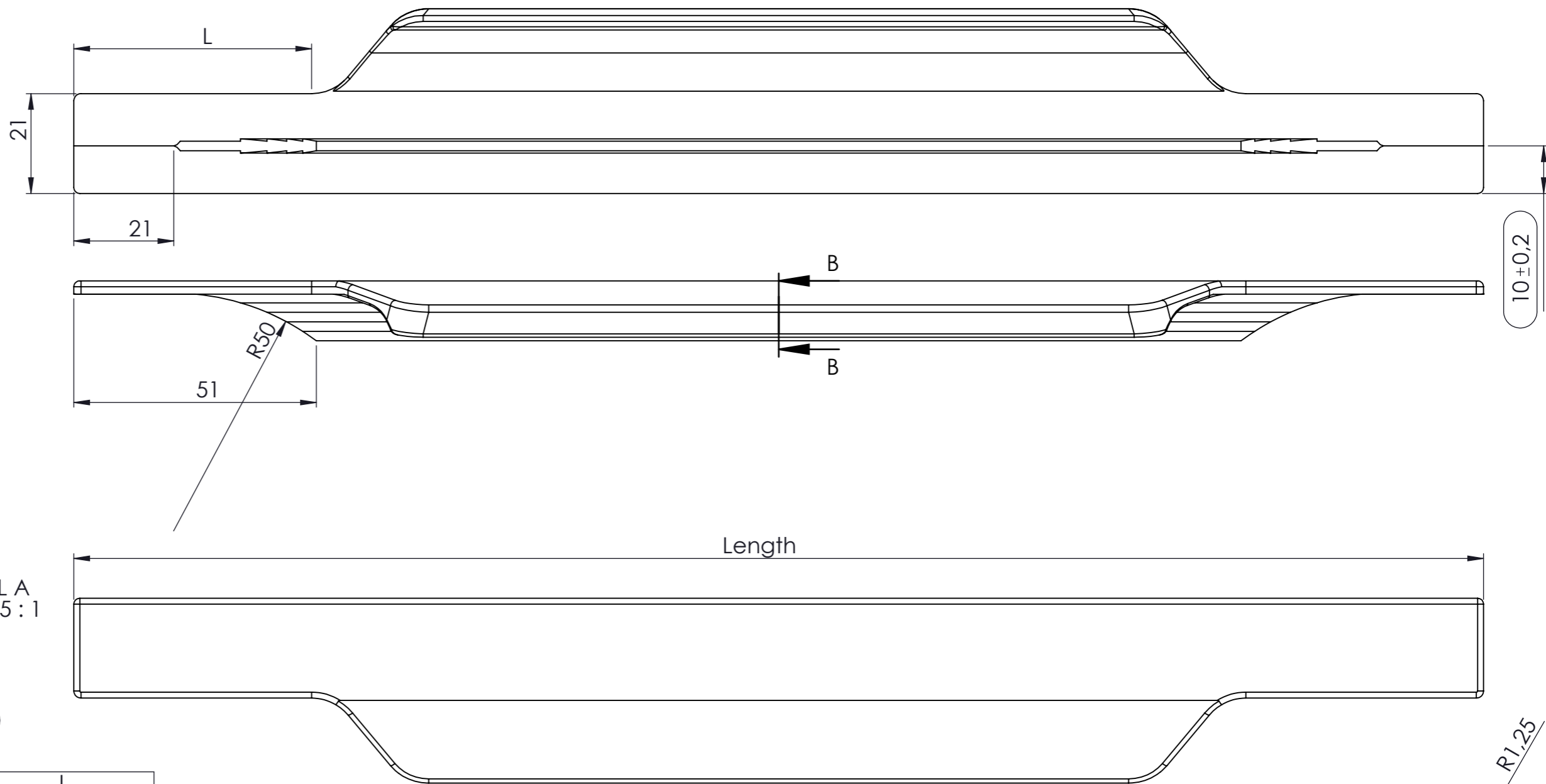
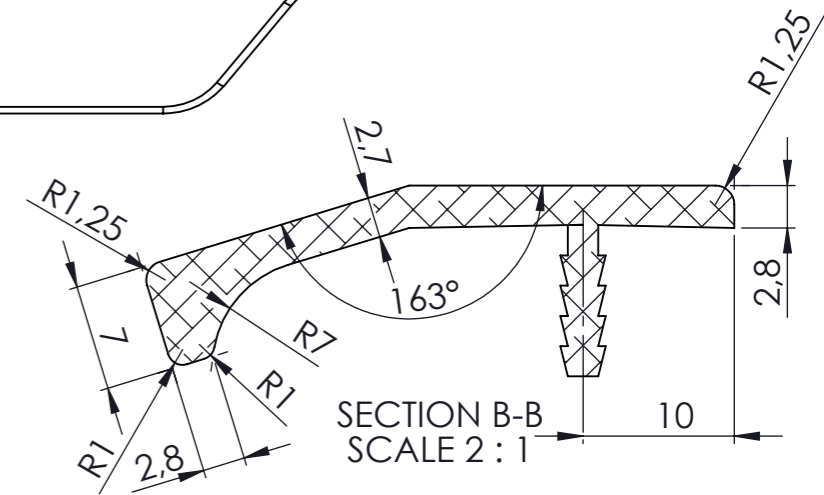
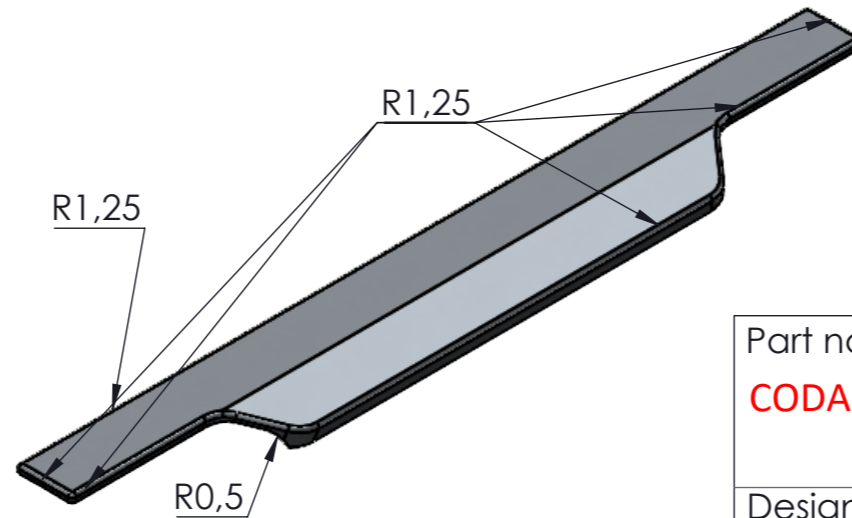


The tolerances for bend, on the total length.
The following tolerances are valid at the maximum:
< 600mm: 0,3mm
600-1.200mm: 0,5mm
> 1.200mm: 0,8mm



Part no	Lenght	L
449920146	146	30
449920196	196	30
449920216	216	30
449920236	236	30
449920246	246	50
449920268	268	50
449920273	273	50
449920296	296	50
449920313	313	50
449920316	316	50
449920326	326	50
449920396	396	50
449920423	423	50
449920446	446	50
449920496	496	50
449920596	596	50
449920796	796	50
449920896	896	50
449920996	996	50
4499201196	1196	50
4499202500	2500	50



Rev.:	Date:	Name:	Description:
A	05-03-2021	MCH	Length 146 and 196 added
B	10-03-2021	MCH	Length added 216, 236, 316, 326 and 2500mm
C			
D			

Part name: CODA	Projection: 	Sheet format: A3	Tolerance unless otherwise specified DS/ISO 2768-1M Linear dimensions: 0-3 ±0,1 3-6 ±0,1 6-30 ±0,2 30-120 ±0,3 120-400 ±0,5 400-1000 ±0,8 1000-2000 ±1,2
Designer: furnipart	Drawn by: MCH 06-08-2020	Scale: 1:1	
Part no.: 449920xxx	Sheet 1 of 1	AngleRadius ±0,5° ±5%	
Material: Aluminium	Weight:	furnipart® Delta 2 Phone: +45 87 64 35 00 DK-8382 Hinnerup E-mail: fp@furnipart.com	
COPYRIGHT: THIS DRAWING MAY NOT BE COPIED OR REPRODUCED IN ANY WAY WITHOUT DIRECT PERMISSION FROM FURNIPART A/S			