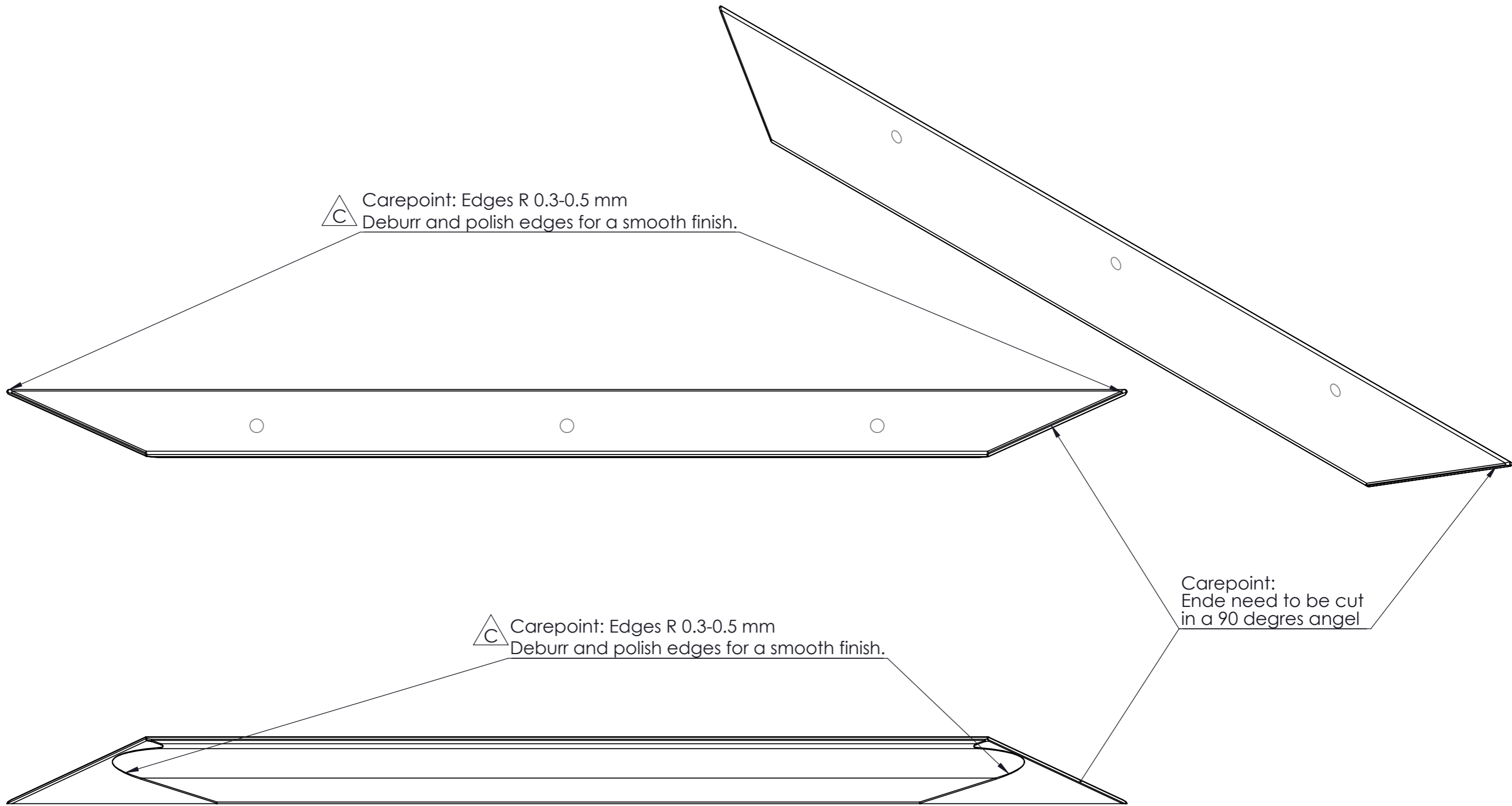


Part name: STREAMLINE	Projection: 	Sheet format: A3	Tolerance unless otherwise specified DS/ISO 2768-1M Linear dimensions: 0-3 3-6 6-30 30-120 120-400 400-1000 1000-2000 0,1 0,1 0,2 0,3 0,5 0,8 1,2
Designer: Adam Laws	Drawn by: MCH 12-08-2021	Scale: 1:1	
Part no.: 454520xxx	Sheet 1 of 2	AngleRadius 0,5° 5%	
Material: Aluminium	Weight:	furnipart® Delta 2 Phone: +45 87 64 35 00 DK-8382 Hinnerup E-mail: fp@furnipart.com	
COPYRIGHT: THIS DRAWING MAY NOT BE COPIED OR REPRODUCED IN ANY WAY WITHOUT DIRECT PERMISSION FROM FURNIPART A/S			

Item no.	Length	C/C	center hole	Rev.:	Date:	Name:	Description:
454520096	224,8	96	no	A	09-09-2021	MCH	Item no. added
454520256	384,8	256	yes	B	10-11-2021	MCH	Name added
				C	12-05-2022	MCH	Carepoint description specified



△ Carepoint: Edges R 0.3-0.5 mm
Deburr and polish edges for a smooth finish.

△ Carepoint: Edges R 0.3-0.5 mm
Deburr and polish edges for a smooth finish.

Carepoint:
Ende need to be cut
in a 90 degrees angel

Rev.:	Date:	Name:	Description:
A	09-09-2021	MCH	Item no. added
B	10-11-2021	MCH	Name added

Part name: STREAMLINE	Projection: 	Sheet format: A3	Tolerance unless otherwise specified DS/ISO 2768-1M Linear dimensions: 0-3 3-6 6-30 30-120 120-400 400-1000 1000-2000 0,1 0,1 0,2 0,3 0,5 0,8 1,2
Designer: Adam Laws	Drawn by: MCH 12-08-2021	Scale: 1:1	
Part no.: 454520xxx	Sheet 2 of 2	AngleRadius 0,5° 5%	
Material: Aluminium	Weight:	furnipart® Delta 2 Phone: +45 87 64 35 00 DK-8382 Hinnerup E-mail: fp@furnipart.com	
COPYRIGHT: THIS DRAWING MAY NOT BE COPIED OR REPRODUCED IN ANY WAY WITHOUT DIRECT PERMISSION FROM FURNIPART A/S			