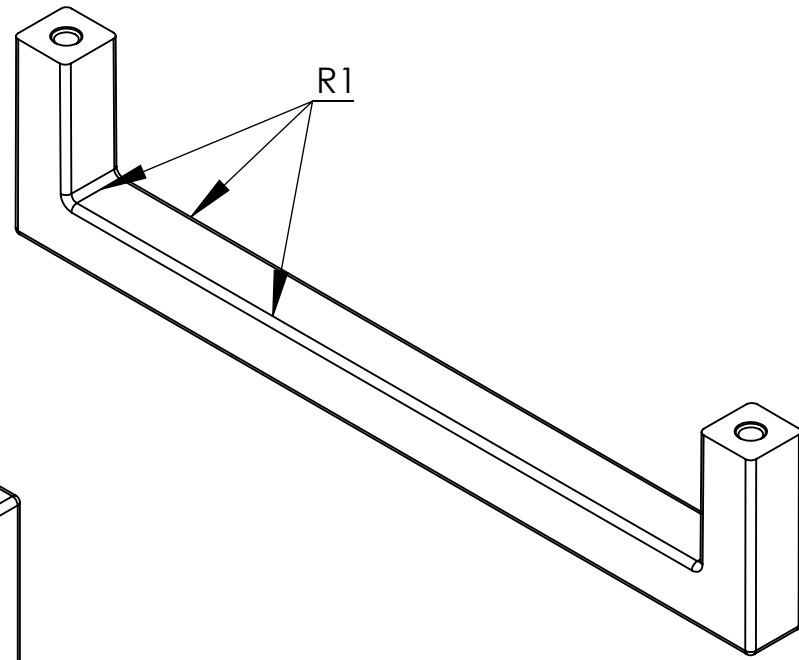
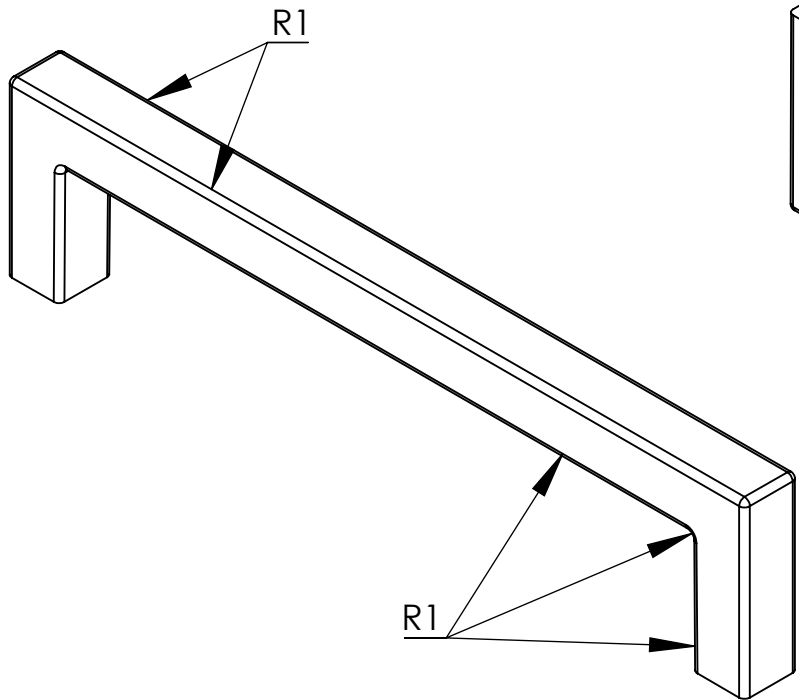
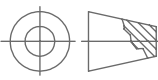


Part name: SQUARE 10		Projection: 	Sheet format: A4	Tolerance unless otherwise specified DS/ISO 2768-1M																						
Customer:		Drawn by: MCH 03-09-2019	Scale: 1:1	<table border="1"> <tr> <th>Linear dimensions:</th> <th>0-3</th> <th>3-6</th> <th>6-30</th> <th>30-120</th> <th>120-400</th> <th>400-1000</th> <th>1000-2000</th> </tr> <tr> <td></td> <td>± 0.1</td> <td>± 0.1</td> <td>± 0.2</td> <td>± 0.3</td> <td>± 0.5</td> <td>± 0.8</td> <td>± 1.2</td> </tr> </table>					Linear dimensions:	0-3	3-6	6-30	30-120	120-400	400-1000	1000-2000		± 0.1	± 0.1	± 0.2	± 0.3	± 0.5	± 0.8	± 1.2		
Linear dimensions:	0-3	3-6	6-30	30-120	120-400	400-1000	1000-2000																			
	± 0.1	± 0.1	± 0.2	± 0.3	± 0.5	± 0.8	± 1.2																			
Part no.: 435820xxx		Page 1 of 3		<table border="1"> <tr> <th>Angle</th> <th>Radius</th> <th></th> <th></th> </tr> <tr> <td>± 0.5°</td> <td>± 5%</td> <td></td> <td></td> </tr> </table>					Angle	Radius			± 0.5°	± 5%												
Angle	Radius																									
± 0.5°	± 5%																									
Material: Aluminium		Weight: grams																								
<table border="1"> <tr> <th>Rev.:</th> <th>Date:</th> <th>Name:</th> <th>Description:</th> </tr> <tr> <td>A</td> <td>09-03-2021</td> <td>MCH</td> <td>Length 170 added</td> </tr> </table>		Rev.:	Date:						Name:	Description:	A	09-03-2021	MCH	Length 170 added												
Rev.:	Date:	Name:	Description:																							
A	09-03-2021	MCH	Length 170 added																							
<table border="1"> <tr> <th>PART NO.</th> <th>C/C</th> <th>L</th> </tr> <tr> <td>435820128</td> <td>128</td> <td>138</td> </tr> <tr> <td>435820160</td> <td>160</td> <td>170</td> </tr> <tr> <td>435820192</td> <td>192</td> <td>202</td> </tr> </table>		PART NO.	C/C	L	435820128	128	138	435820160	160	170	435820192	192	202			<table border="1"> <tr> <td>Delta 2</td> <td>Phone:</td> <td>+45 87 64 35 00</td> </tr> <tr> <td>DK-8382 Hinnerup</td> <td>Fax:</td> <td>+45 87 64 35 01</td> </tr> </table>					Delta 2	Phone:	+45 87 64 35 00	DK-8382 Hinnerup	Fax:	+45 87 64 35 01
PART NO.	C/C	L																								
435820128	128	138																								
435820160	160	170																								
435820192	192	202																								
Delta 2	Phone:	+45 87 64 35 00																								
DK-8382 Hinnerup	Fax:	+45 87 64 35 01																								



Part name:
SQUARE 10

Projection:


Sheet format:
A4
 Scale:
1:1

Tolerance unless otherwise specified DS/ISO 2768-1M

Linear dimensions:	0-3	3-6	6 - 30	30- 120	120- 400	400- 1000	1000- 2000
	± 0.1	± 0.1	± 0.2	± 0.3	± 0.5	± 0.8	± 1.2

Customer:

Drawn by:
MCH 03-09-2019

Angle	Radius		
± 0.5°	± 5%		

Part no.: **435820xxx**

Page 2 of 3

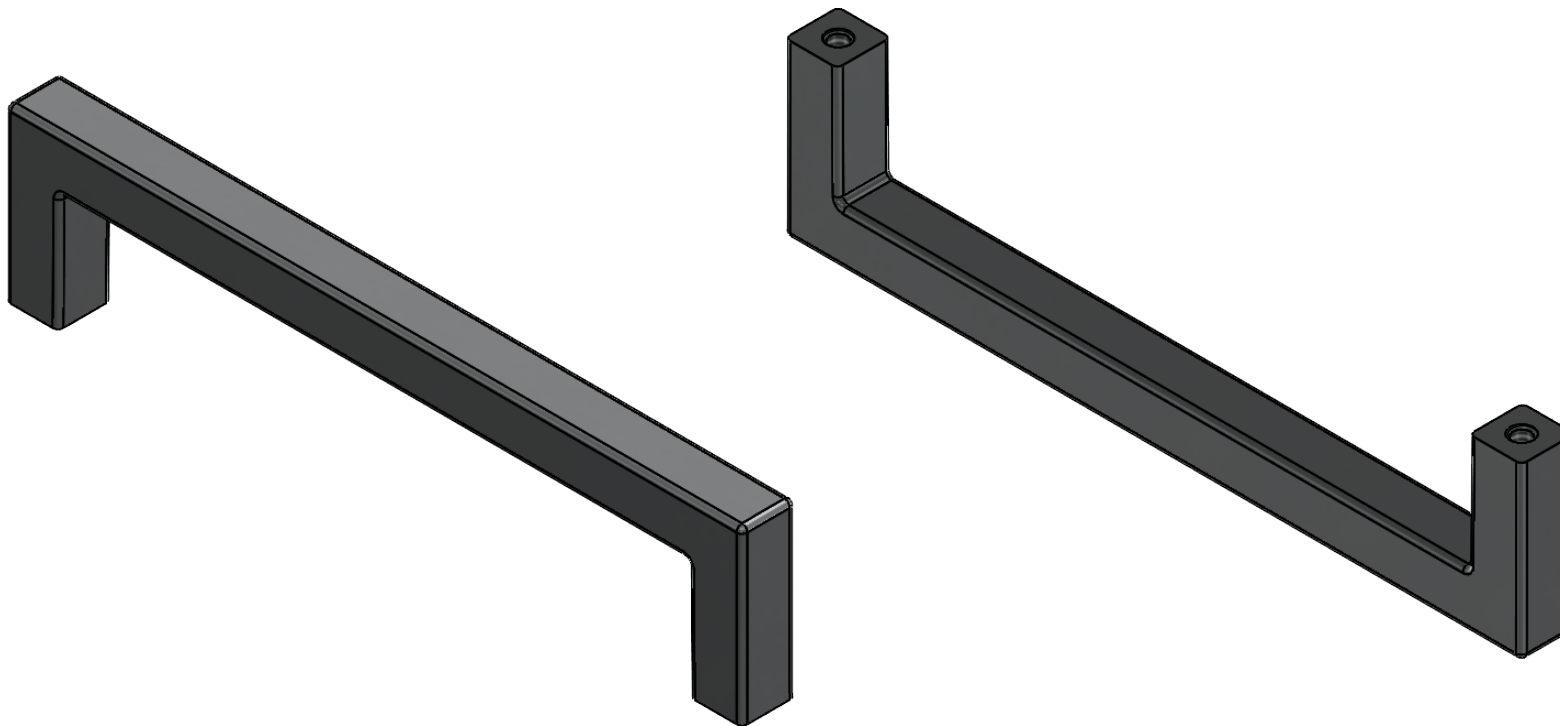
Material:
Aluminium

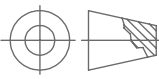

Weight:
 grams

furnipart®

Delta 2 Phone: +45 87 64 35 00
 DK-8382 Hinnerup Fax: +45 87 64 35 01

Rev.:	Date:	Name:	Description:
A	09-03-2021	MCH	Length 170 added



Part name: SQUARE 10		Projection: 	Sheet format: A4	Tolerance unless otherwise specified DS/ISO 2768-1M																				
Customer:		Drawn by: MCH 03-09-2019	Scale: 1:1	<table border="1"> <tr> <td>Linear dimensions:</td> <td>0-3</td> <td>3-6</td> <td>6-30</td> <td>30-120</td> <td>120-400</td> <td>400-1000</td> <td>1000-2000</td> </tr> <tr> <td></td> <td>± 0.1</td> <td>± 0.1</td> <td>± 0.2</td> <td>± 0.3</td> <td>± 0.5</td> <td>± 0.8</td> <td>± 1.2</td> </tr> </table>					Linear dimensions:	0-3	3-6	6-30	30-120	120-400	400-1000	1000-2000		± 0.1	± 0.1	± 0.2	± 0.3	± 0.5	± 0.8	± 1.2
Linear dimensions:	0-3	3-6	6-30	30-120	120-400	400-1000	1000-2000																	
	± 0.1	± 0.1	± 0.2	± 0.3	± 0.5	± 0.8	± 1.2																	
Part no.: 435820xxx		Page 3 of 3		<table border="1"> <tr> <td>Angle</td> <td>Radius</td> <td></td> <td></td> </tr> <tr> <td>± 0.5°</td> <td>± 5%</td> <td></td> <td></td> </tr> </table>					Angle	Radius			± 0.5°	± 5%										
Angle	Radius																							
± 0.5°	± 5%																							
Material: Aluminium		Weight: grams		 Delta 2 Phone: +45 87 64 35 00 DK-8382 Hinnerup Fax: +45 87 64 35 01																				
Rev.: A		Date: 09-03-2021																						
Name: MCH		Description: Length 170 added																						

Rev.:	Date:	Name:	Description:
A	09-03-2021	MCH	Length 170 added