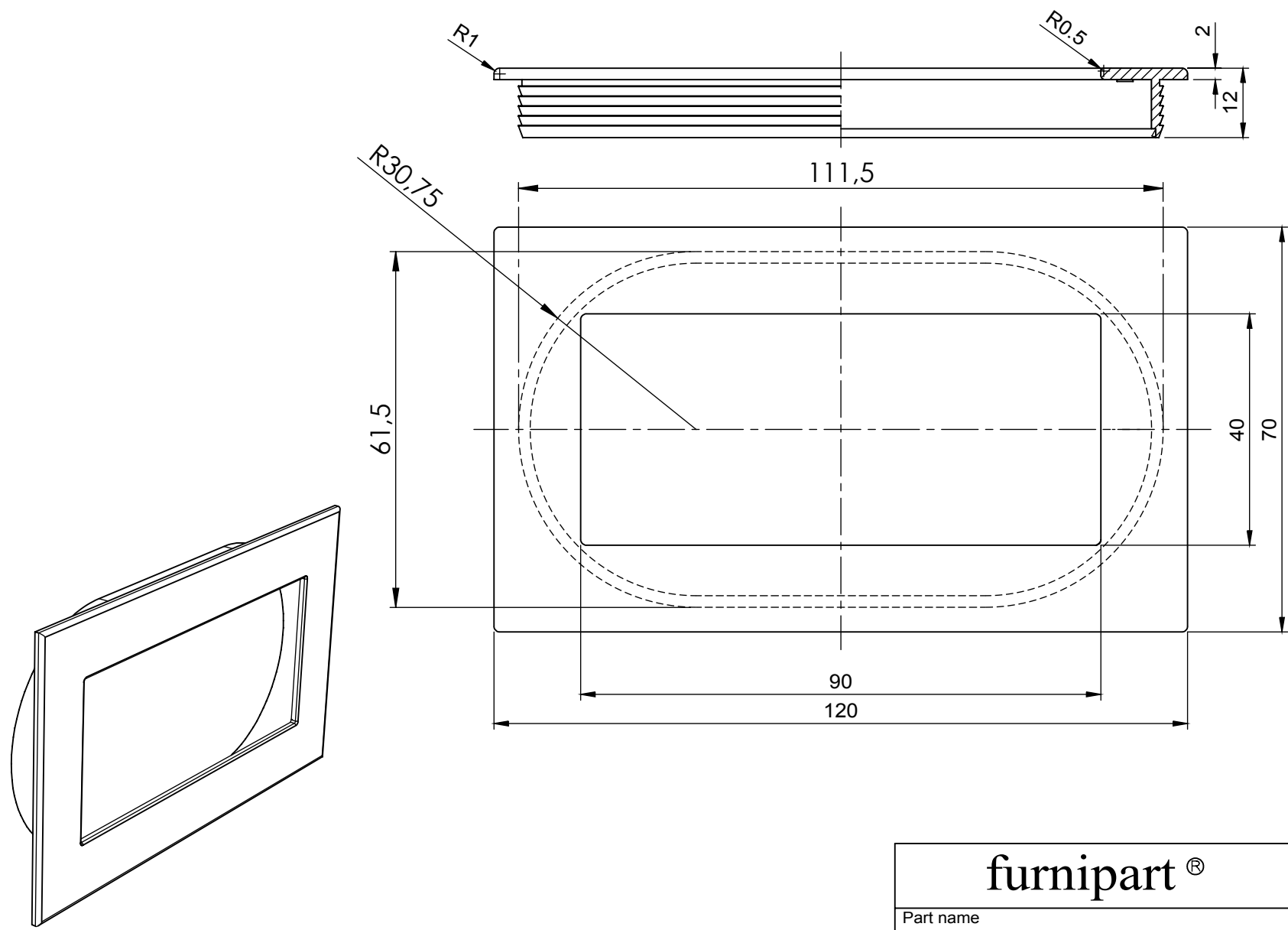


TOLERANCE UNLESS OTHERWISE SPECIFIED	
<=6	±0.1
>6 - 30	±0.2
>30 - 120	±0.3
>120 - 400	±0.5
>400	±0.8
ANGLE	±0.5°
RADIUS	±0.2



furnipart ®	Date	12.06.08	Sign	peko
	Material	Zinc	Mass	none
Part name	-		Rev.	Sign
Part no.	512160120		Scale	1 : 1

