

SECTION A-A

furnipart

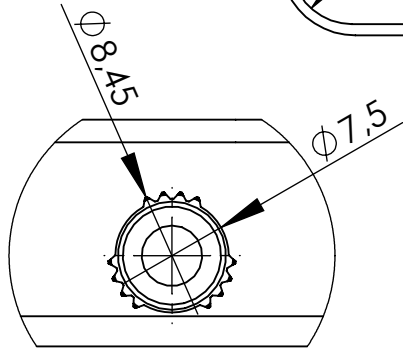
200 ± 0,5

197

C/C 128 ± 0,5

15 ± 0,2

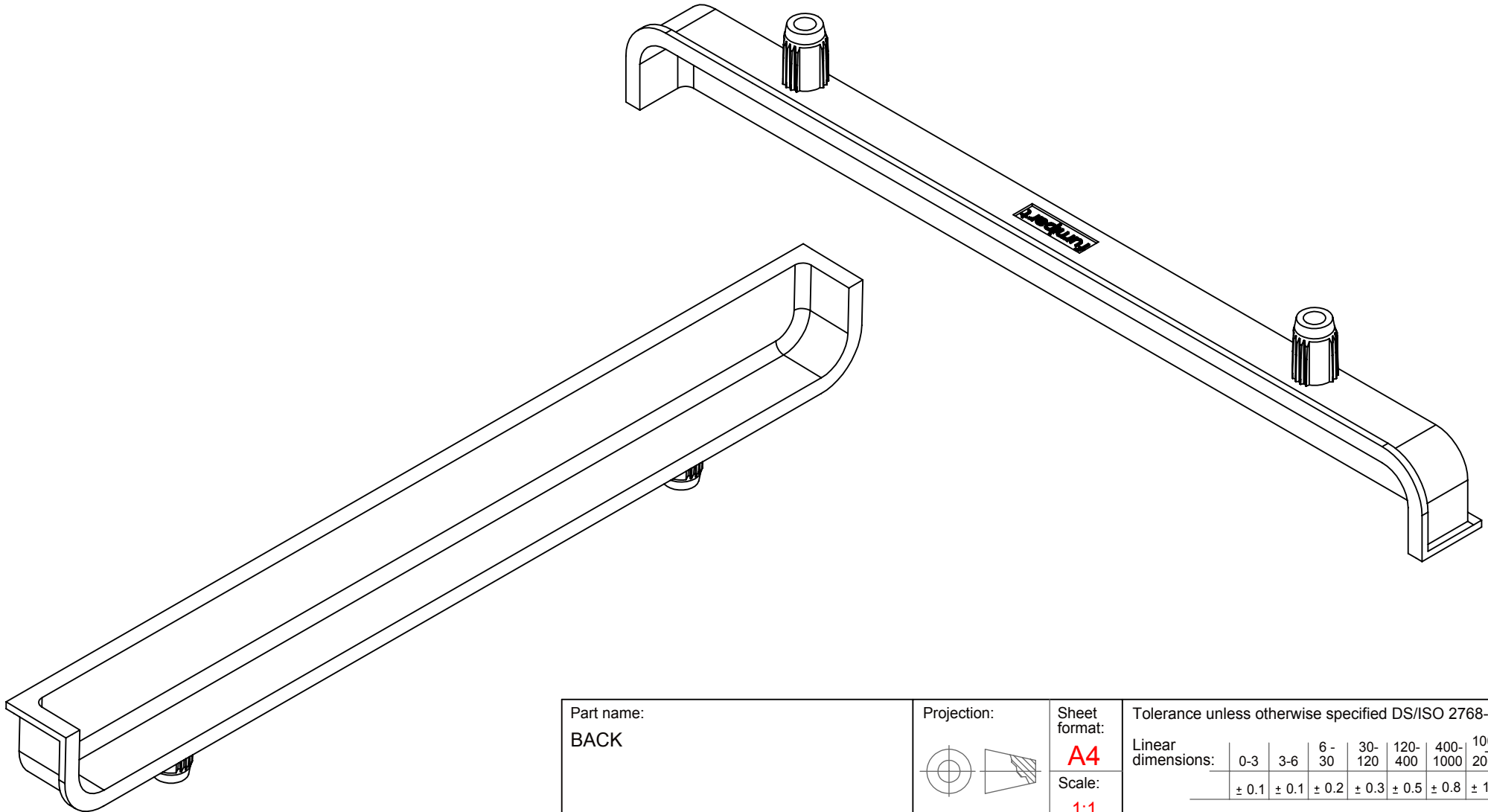
30,5 ± 0,3



DETAIL B
SCALE 2 : 1

Part name: BACK		Projection: 	Sheet format: A4	Tolerance unless otherwise specified DS/ISO 2768-1M						
Customer:		Drawn by: ps date 27.05.2013		Linear dimensions:						
Part no.: 515560128		Page 1 of 2		0-3	3-6	6-30	30-120	120-400	400-1000	1000-2000
Material: Zinc		Weight: 85,38 grams		± 0.1	± 0.1	± 0.2	± 0.3	± 0.5	± 0.8	± 1.2
				Angle	Radius					
				± 0.5°	± 5%					
				furnipart®						
				Delta 2 DK-8382 Hinnerup		Phone: +45 87 64 35 00 Fax: +45 87 64 35 01				

Rev.:	Date:	Name:	Description:
A	16-10-2014	PS	Dimension added on drawing



Part name: BACK	Projection: 	Sheet format: A4	Tolerance unless otherwise specified DS/ISO 2768-1M																	
		Scale: 1:1	<table border="1"> <tr> <td>Linear dimensions:</td> <td>0-3</td> <td>3-6</td> <td>6-30</td> <td>30-120</td> <td>120-400</td> <td>400-1000</td> <td>1000-2000</td> </tr> <tr> <td></td> <td>± 0.1</td> <td>± 0.1</td> <td>± 0.2</td> <td>± 0.3</td> <td>± 0.5</td> <td>± 0.8</td> <td>± 1.2</td> </tr> </table>		Linear dimensions:	0-3	3-6	6-30	30-120	120-400	400-1000	1000-2000		± 0.1	± 0.1	± 0.2	± 0.3	± 0.5	± 0.8	± 1.2
Linear dimensions:	0-3	3-6	6-30	30-120	120-400	400-1000	1000-2000													
	± 0.1	± 0.1	± 0.2	± 0.3	± 0.5	± 0.8	± 1.2													
Customer:	Drawn by: ps date 27.05.2013		Angle	Radius																
			± 0.5°	± 5%																
Part no.: 515560128	Page 2 of 2																			
Material: Zinc	Weight: 85,38 grams																			

Rev.:	Date:	Name:	Description:
A	16-10-2014	PS	Dimension added on drawing

Delta 2 Phone: +45 87 64 35 00
DK-8382 Hinnerup Fax: +45 87 64 35 01