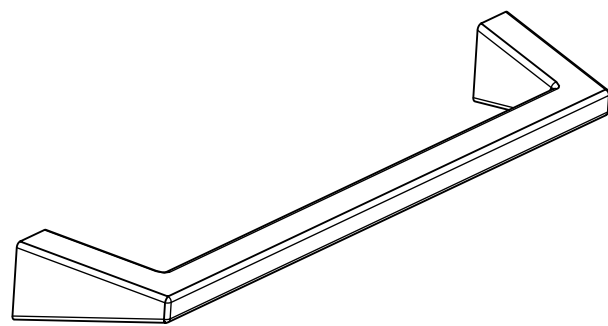
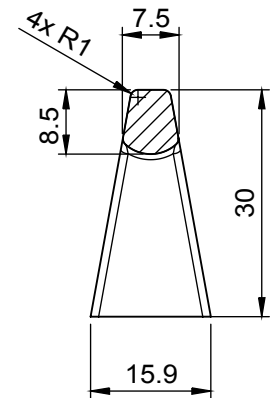
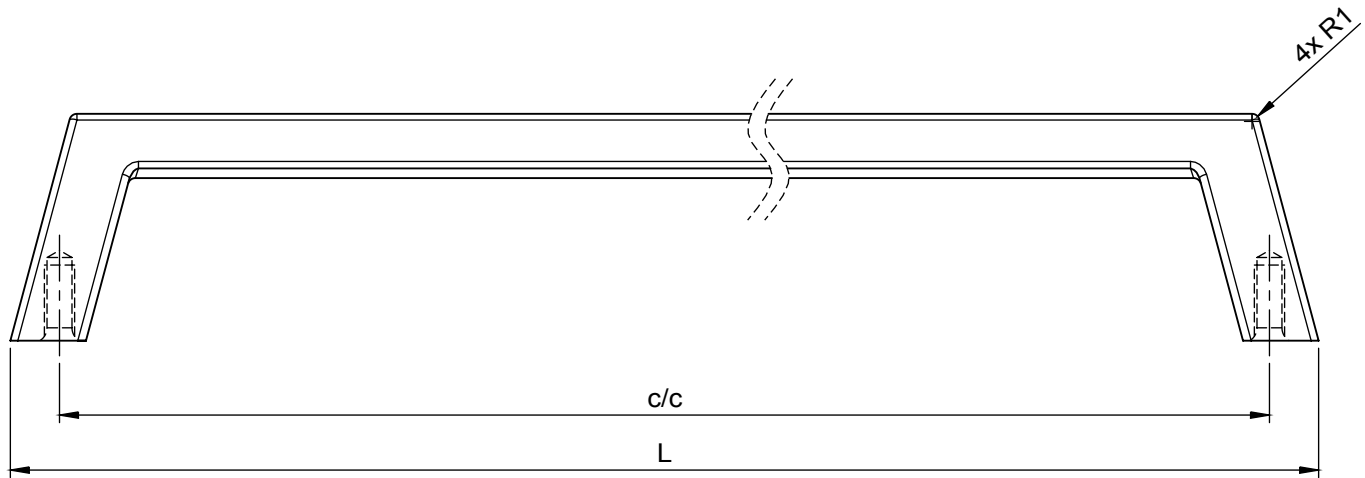
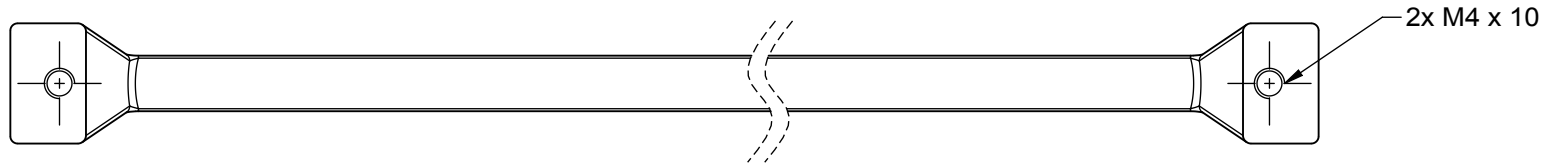


TOLERANCE UNLESS OTHERWISE SPECIFIED	
<=6	±0.1
>6 - 30	±0.2
>30 - 120	±0.3
>120 - 400	±0.5
>400	±0.8
ANGLE	±0.5°
RADIUS	±0.2



PART CODE	C/C	L
518760160	160	173
518760320	320	333

furnipart ®		Date	11.06.09	Sign	peko	
		Material	Zinc	Mass	none	
Part name		Pyramid		Rev.	Sign	
Part no.		518760xxx			Scale	1 : 1