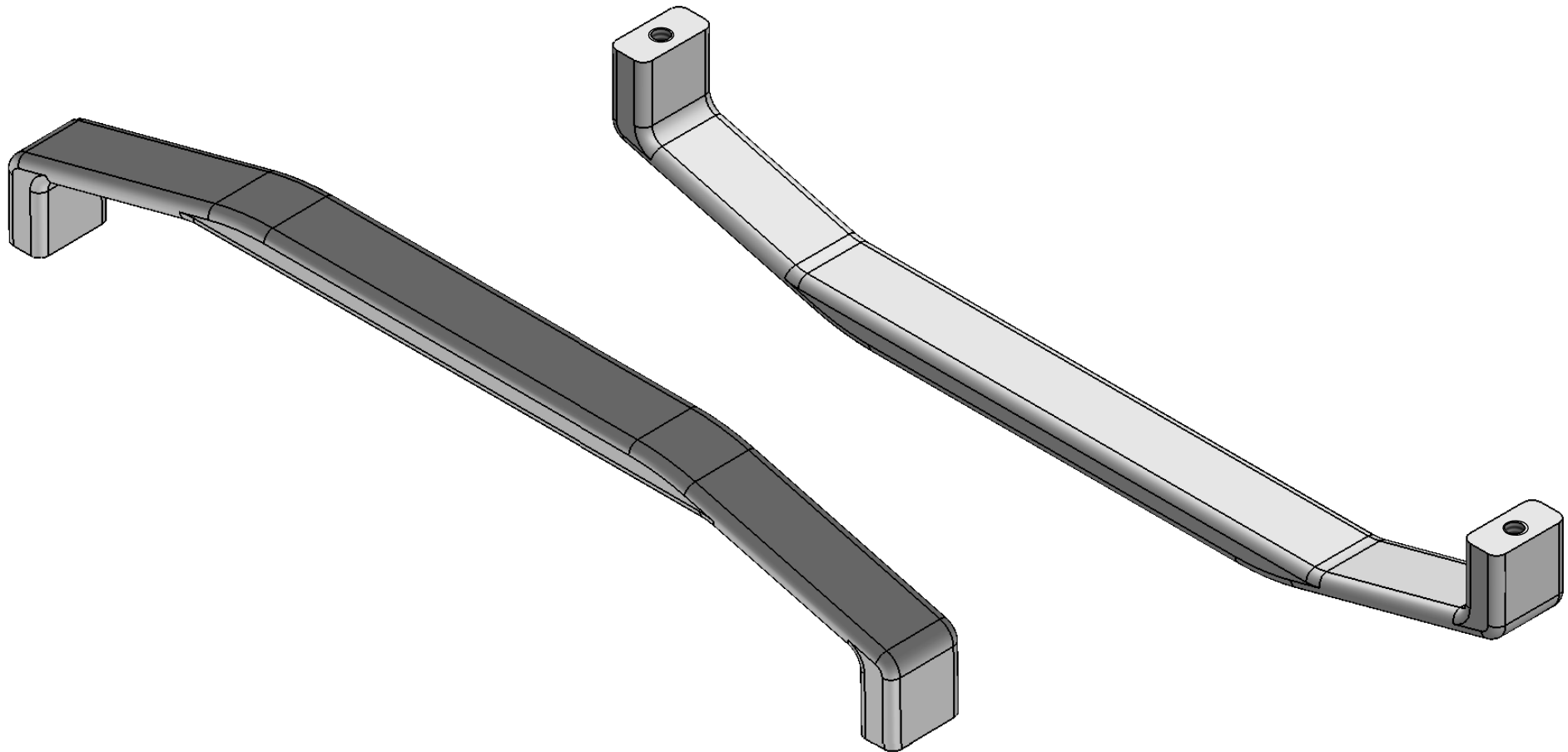
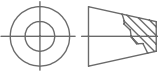



PART NO.	C/C	L
528960192	192	200
528960320	320	328

Rev.:	Date:	Name:	Description:

Part name: <b>COOL</b>	Projection: 	Sheet format: <b>A4</b>	Tolerance unless otherwise specified DS/ISO 2768-1M Linear dimensions:																		
Customer:	Drawn by: <b>ps date 19. januar 2012</b>	Scale: <b>1:1</b>																			
Part no.: <b>528960xxx</b>	Material: <b>Zinc</b>	Weight: <b>138,05 grams</b>	<table border="1"> <thead> <tr> <th>0-3</th> <th>3-6</th> <th>6-30</th> <th>30-120</th> <th>120-400</th> <th>400-1000</th> <th>1000-2000</th> </tr> </thead> <tbody> <tr> <td>± 0.1</td> <td>± 0.1</td> <td>± 0.2</td> <td>± 0.3</td> <td>± 0.5</td> <td>± 0.8</td> <td>± 1.2</td> </tr> </tbody> </table> <table border="1"> <thead> <tr> <th>Angle</th> <th>Radius</th> </tr> </thead> <tbody> <tr> <td>± 0.5°</td> <td>± 5%</td> </tr> </tbody> </table>	0-3	3-6	6-30	30-120	120-400	400-1000	1000-2000	± 0.1	± 0.1	± 0.2	± 0.3	± 0.5	± 0.8	± 1.2	Angle	Radius	± 0.5°	± 5%
0-3	3-6	6-30	30-120	120-400	400-1000	1000-2000															
± 0.1	± 0.1	± 0.2	± 0.3	± 0.5	± 0.8	± 1.2															
Angle	Radius																				
± 0.5°	± 5%																				
Page 1 of 2		 Delta 2 Phone: +45 87 64 35 00 DK-8382 Hinnerup Fax: +45 87 64 35 01																			
Material: <b>Zinc</b>																					



Part name: <b>COOL</b>		Projection: 	Sheet format: <b>A4</b>	Tolerance unless otherwise specified DS/ISO 2768-1M																				
Customer:		Drawn by: <b>ps date 19. januar 2012</b>	Scale: <b>1:1</b>	<table border="1"> <tr> <td>Linear dimensions:</td> <td>0-3</td> <td>3-6</td> <td>6-30</td> <td>30-120</td> <td>120-400</td> <td>400-1000</td> <td>1000-2000</td> </tr> <tr> <td></td> <td>± 0.1</td> <td>± 0.1</td> <td>± 0.2</td> <td>± 0.3</td> <td>± 0.5</td> <td>± 0.8</td> <td>± 1.2</td> </tr> </table>					Linear dimensions:	0-3	3-6	6-30	30-120	120-400	400-1000	1000-2000		± 0.1	± 0.1	± 0.2	± 0.3	± 0.5	± 0.8	± 1.2
Linear dimensions:	0-3	3-6	6-30	30-120	120-400	400-1000	1000-2000																	
	± 0.1	± 0.1	± 0.2	± 0.3	± 0.5	± 0.8	± 1.2																	
Part no.: <b>528960xxx</b>		Page 2 of 2		<table border="1"> <tr> <td>Angle</td> <td>Radius</td> <td></td> <td></td> </tr> <tr> <td>± 0.5°</td> <td>± 5%</td> <td></td> <td></td> </tr> </table>					Angle	Radius			± 0.5°	± 5%										
Angle	Radius																							
± 0.5°	± 5%																							
Material: <b>Zinc</b>		Weight: <b>138,05 grams</b>																						
Rev.:		Date:							Delta 2 Phone: +45 87 64 35 00 DK-8382 Hinnerup Fax: +45 87 64 35 01															
Name:		Description:		COPYRIGHT: THIS DRAWING MAY NOT BE COPIED OR REPRODUCED IN ANY WAY WITHOUT DIRECT PERMISSION FROM FURNIPART A/S																				

Rev.:	Date:	Name:	Description: