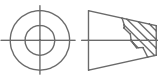

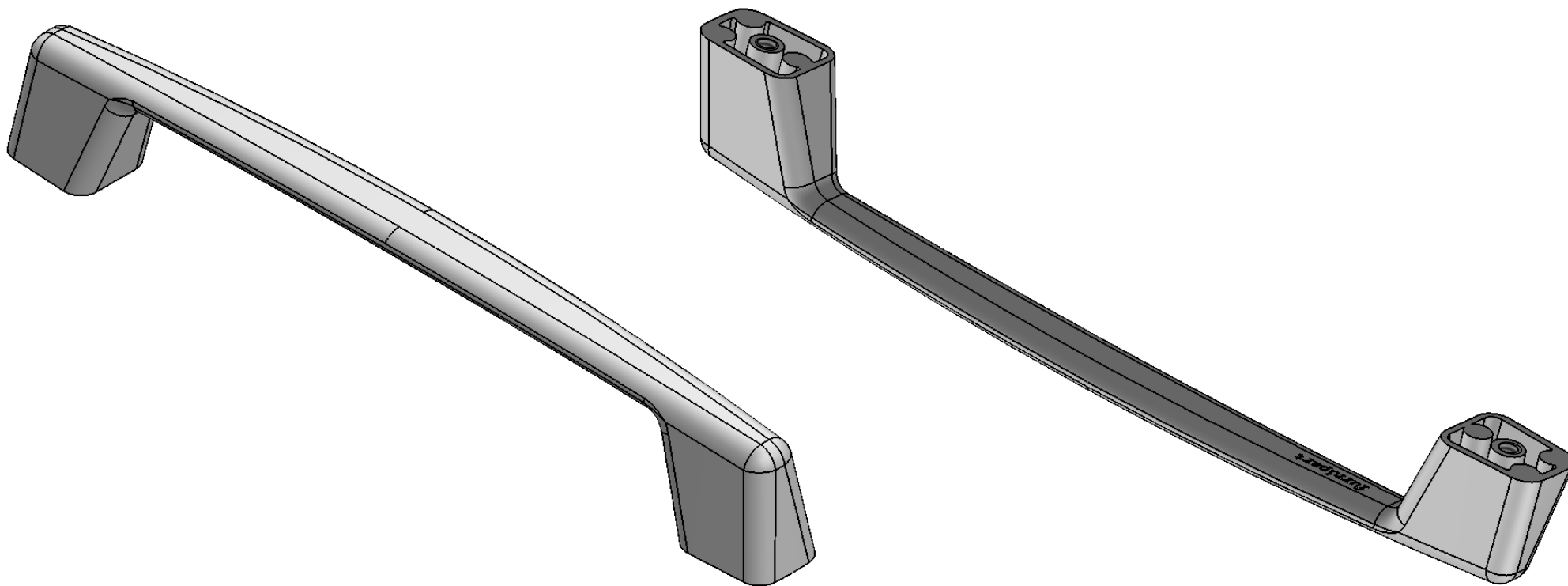




Part name: CAR		Projection: 	Sheet format: A4	Tolerance unless otherwise specified DS/ISO 2768-1M						
Customer:		Drawn by: ps date 11. januar 2013	Scale: 1:1	Linear dimensions:						
Part no.: 530860160		Page 1 of 2		0-3	3-6	6-30	30-120	120-400	400-1000	1000-2000
Material: Zinc		Weight: 108,18 grams		± 0.1	± 0.1	± 0.2	± 0.3	± 0.5	± 0.8	± 1.2
Rev.:		Date:	Name:	Description:		Angle		Radius		
						$\pm 0.5^\circ$		$\pm 5\%$		
										



Part name: CAR		Projection: 	Sheet format: A4	Tolerance unless otherwise specified DS/ISO 2768-1M																				
Customer:		Drawn by: ps date 11. januar 2013	Scale: 1:1	<table border="1"> <tr> <td>Linear dimensions:</td> <td>0-3</td> <td>3-6</td> <td>6-30</td> <td>30-120</td> <td>120-400</td> <td>400-1000</td> <td>1000-2000</td> </tr> <tr> <td></td> <td>± 0.1</td> <td>± 0.1</td> <td>± 0.2</td> <td>± 0.3</td> <td>± 0.5</td> <td>± 0.8</td> <td>± 1.2</td> </tr> </table>					Linear dimensions:	0-3	3-6	6-30	30-120	120-400	400-1000	1000-2000		± 0.1	± 0.1	± 0.2	± 0.3	± 0.5	± 0.8	± 1.2
Linear dimensions:	0-3	3-6	6-30	30-120	120-400	400-1000	1000-2000																	
	± 0.1	± 0.1	± 0.2	± 0.3	± 0.5	± 0.8	± 1.2																	
Part no.: 530860160		Page 2 of 2		<table border="1"> <tr> <td>Angle</td> <td>Radius</td> <td></td> <td></td> </tr> <tr> <td>± 0.5°</td> <td>± 5%</td> <td></td> <td></td> </tr> </table>					Angle	Radius			± 0.5°	± 5%										
Angle	Radius																							
± 0.5°	± 5%																							
Material: Zinc		Weight: 108,18 grams		 Delta 2 Phone: +45 87 64 35 00 DK-8382 Hinnerup Fax: +45 87 64 35 01																				
Rev.:	Date:	Name:	Description:																					