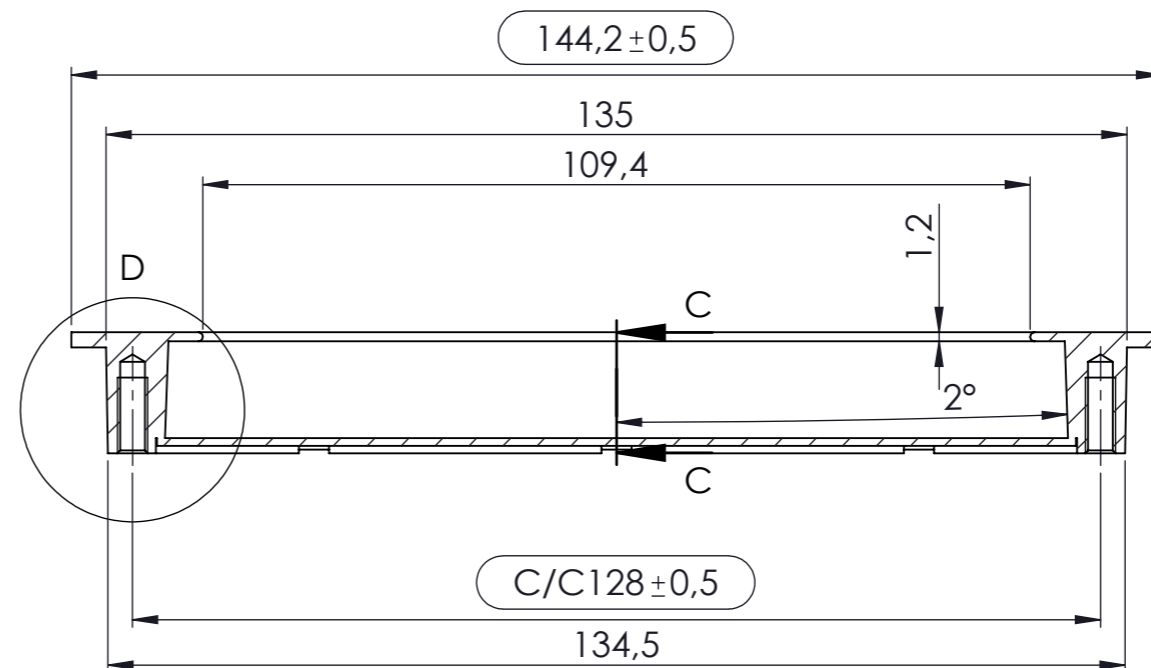
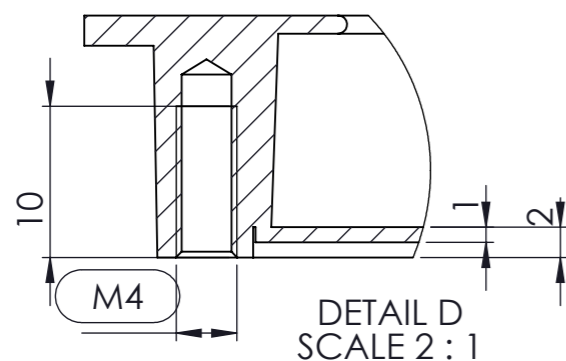


SECTION C-C



SECTION A-A

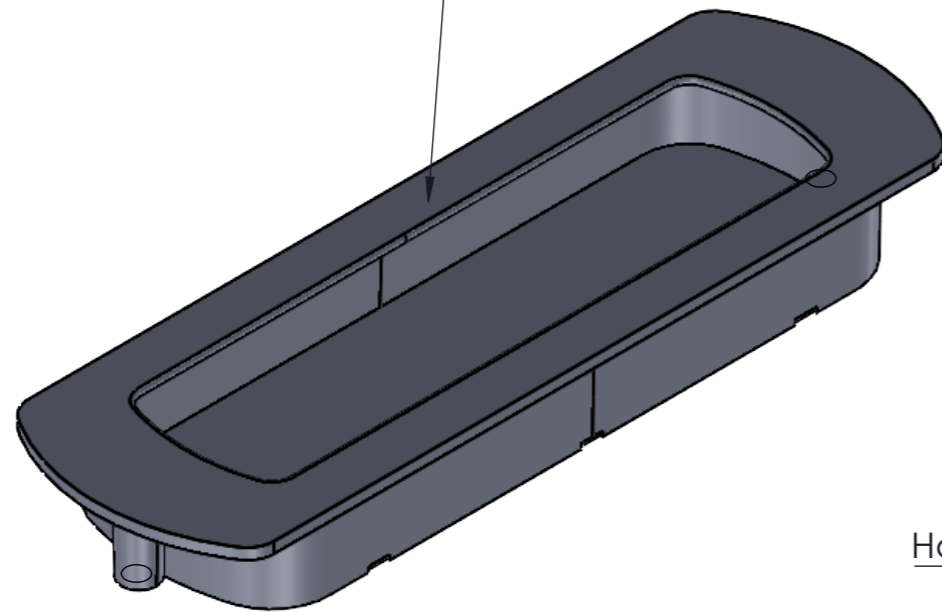


DETAIL D
SCALE 2 : 1

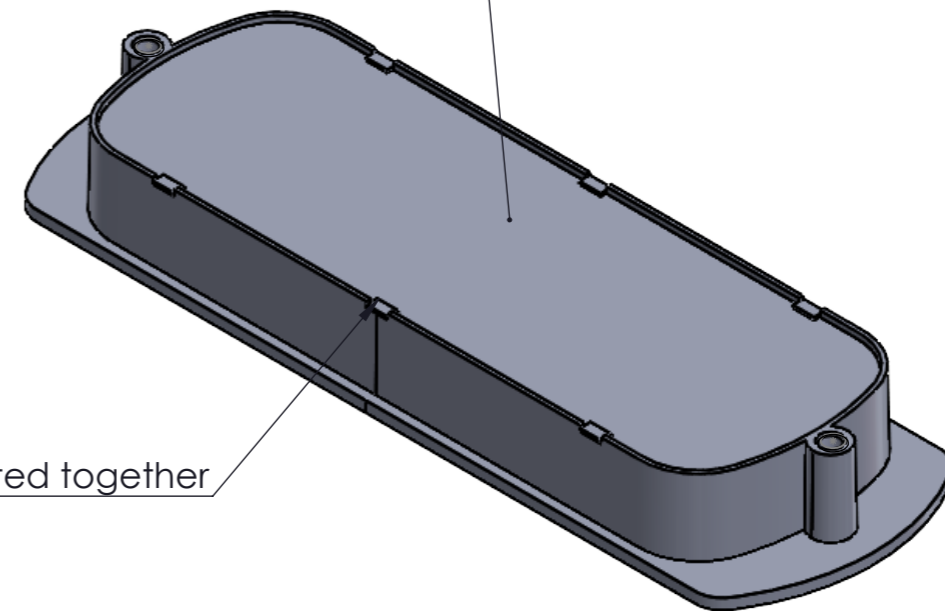
Rev.:	Date:	Name:	Description:
A	07-01-2021	MCH	New drawing made from stp files, and messure added

Part name: RECESSED HANDLE LUX	Projection: 	Sheet format: A3	Tolerance unless otherwise specified DS/ISO 2768-1M Linear dimensions: 0-3 ±0,1 3-6 ±0,1 6-30 ±0,2 30-120 ±0,3 120-400 ±0,5 400-1000 ±0,8 1000-2000 ±1,2
Designer:	Drawn by: ps date 7 februar 2013	Scale: 1:1	
Part no.: 532160128	Sheet 1 of 2	AngleRadius ±0,5° ±5%	
Material: Zinc	Weight:	furnipart® Delta 2 Phone: +45 87 64 35 00 DK-8382 Hinnerup E-mail: fp@furnipart.com	
COPYRIGHT: THIS DRAWING MAY NOT BE COPIED OR REPRODUCED IN ANY WAY WITHOUT DIRECT PERMISSION FROM FURNIPART A/S			

Material Handle: Zinc

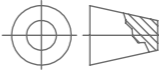


Material Back plate:
By finish in inox look: Stainless Steel
By finish in bright chrome: Steel



Handle and Back plate riveted together

Rev.:	Date:	Name:	Description:
A	07-01-2021	MCH	New drawing made from stp files, and messure added

Part name: RECESSED HANDLE LUX	Projection: 	Sheet format: A3	Tolerance unless otherwise specified DS/ISO 2768-1M Linear dimensions: <table border="1"> <tr> <td>0-3</td> <td>3-6</td> <td>6-30</td> <td>30-120</td> <td>120-400</td> <td>400-1000</td> <td>1000-</td> </tr> <tr> <td>±0,1</td> <td>±0,1</td> <td>±0,2</td> <td>±0,3</td> <td>±0,5</td> <td>±0,8</td> <td>±1,2</td> </tr> </table>	0-3	3-6	6-30	30-120	120-400	400-1000	1000-	±0,1	±0,1	±0,2	±0,3	±0,5	±0,8	±1,2
0-3	3-6	6-30		30-120	120-400	400-1000	1000-										
±0,1	±0,1	±0,2	±0,3	±0,5	±0,8	±1,2											
Scale: 1:1	Designer:	Drawn by: ps date 7 februar 2013	AngleRadius ±0,5° ±5%														
Part no.: 532160128	Material:	Sheet 2 of 2	furnipart® Delta 2 Phone: +45 87 64 35 00 DK-8382 Hinnerup E-mail: fp@furnipart.com														
COPYRIGHT: THIS DRAWING MAY NOT BE COPIED OR REPRODUCED IN ANY WAY WITHOUT DIRECT PERMISSION FROM FURNIPART A/S		Weight:															