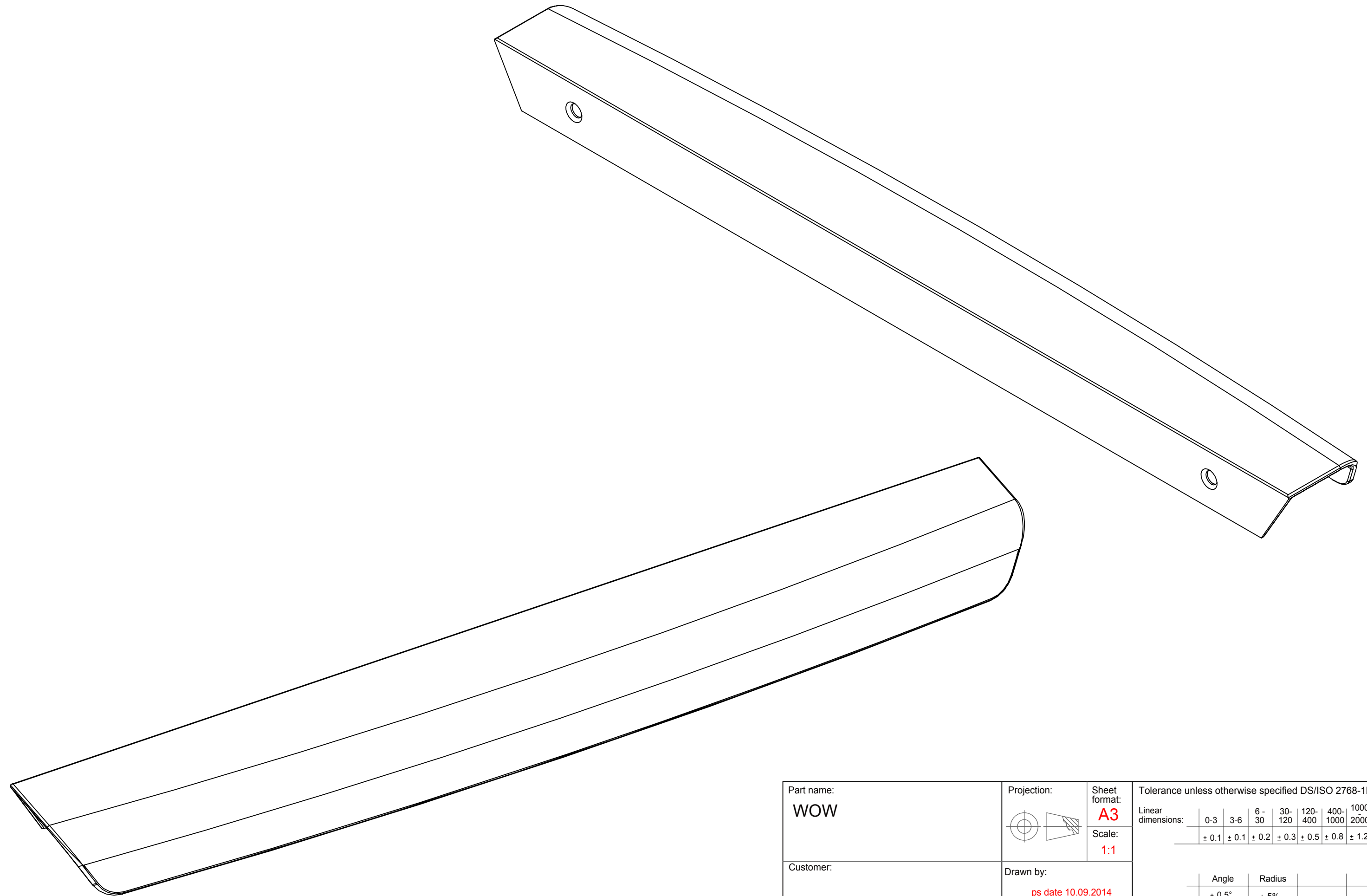
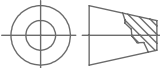



Part name: WOW	Projection: 	Sheet format: A3	Tolerance unless otherwise specified DS/ISO 2768-1M Linear dimensions: <table border="1"> <tr> <td>0-3</td><td>3-6</td><td>6-30</td><td>30-120</td><td>120-400</td><td>400-1000</td><td>1000-2000</td> </tr> <tr> <td>± 0.1</td><td>± 0.1</td><td>± 0.2</td><td>± 0.3</td><td>± 0.5</td><td>± 0.8</td><td>± 1.2</td> </tr> </table>	0-3	3-6	6-30	30-120	120-400	400-1000	1000-2000	± 0.1	± 0.1	± 0.2	± 0.3	± 0.5	± 0.8	± 1.2
0-3	3-6	6-30		30-120	120-400	400-1000	1000-2000										
± 0.1	± 0.1	± 0.2	± 0.3	± 0.5	± 0.8	± 1.2											
Customer:	Drawn by: ps date 10.09.2014	Scale: 1:1	<table border="1"> <tr> <td>Angle</td><td>Radius</td><td></td><td></td> </tr> <tr> <td>± 0.5°</td><td>± 5%</td><td></td><td></td> </tr> </table>	Angle	Radius			± 0.5°	± 5%								
Angle	Radius																
± 0.5°	± 5%																
Part no.: 534660256	Page 1 of 2																
Material: Zinc	Weight: 265,86 grams																

Rev.:	Date:	Name:	Description:



Rev.:	Date:	Name:	Description:

Part name: WOW	Projection: 	Sheet format: A3	Tolerance unless otherwise specified DS/ISO 2768-1M Linear dimensions:																						
Customer:	Drawn by: ps date 10.09.2014	Scale: 1:1																							
Part no.: 534660256	Material: Zinc	Weight: 265,86 grams	<table border="1"> <tr> <td>0-3</td> <td>3-6</td> <td>6 - 30</td> <td>30- 120</td> <td>120- 400</td> <td>400- 1000</td> <td>1000- 2000</td> </tr> <tr> <td>± 0.1</td> <td>± 0.1</td> <td>± 0.2</td> <td>± 0.3</td> <td>± 0.5</td> <td>± 0.8</td> <td>± 1.2</td> </tr> </table> <table border="1"> <tr> <td>Angle</td> <td>Radius</td> <td></td> <td></td> </tr> <tr> <td>± 0.5°</td> <td>± 5%</td> <td></td> <td></td> </tr> </table>	0-3	3-6	6 - 30	30- 120	120- 400	400- 1000	1000- 2000	± 0.1	± 0.1	± 0.2	± 0.3	± 0.5	± 0.8	± 1.2	Angle	Radius			± 0.5°	± 5%		
0-3	3-6	6 - 30	30- 120	120- 400	400- 1000	1000- 2000																			
± 0.1	± 0.1	± 0.2	± 0.3	± 0.5	± 0.8	± 1.2																			
Angle	Radius																								
± 0.5°	± 5%																								
Page 2 of 2			 Delta 2 Phone: +45 87 64 35 00 DK-8382 Hinnerup Fax: +45 87 64 35 01																						
COPYRIGHT: THIS DRAWING MAY NOT BE COPIED OR REPRODUCED IN ANY WAY WITHOUT DIRECT PERMISSION FROM FURNIPART A/S																									