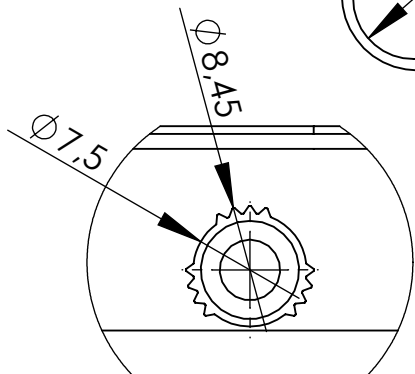
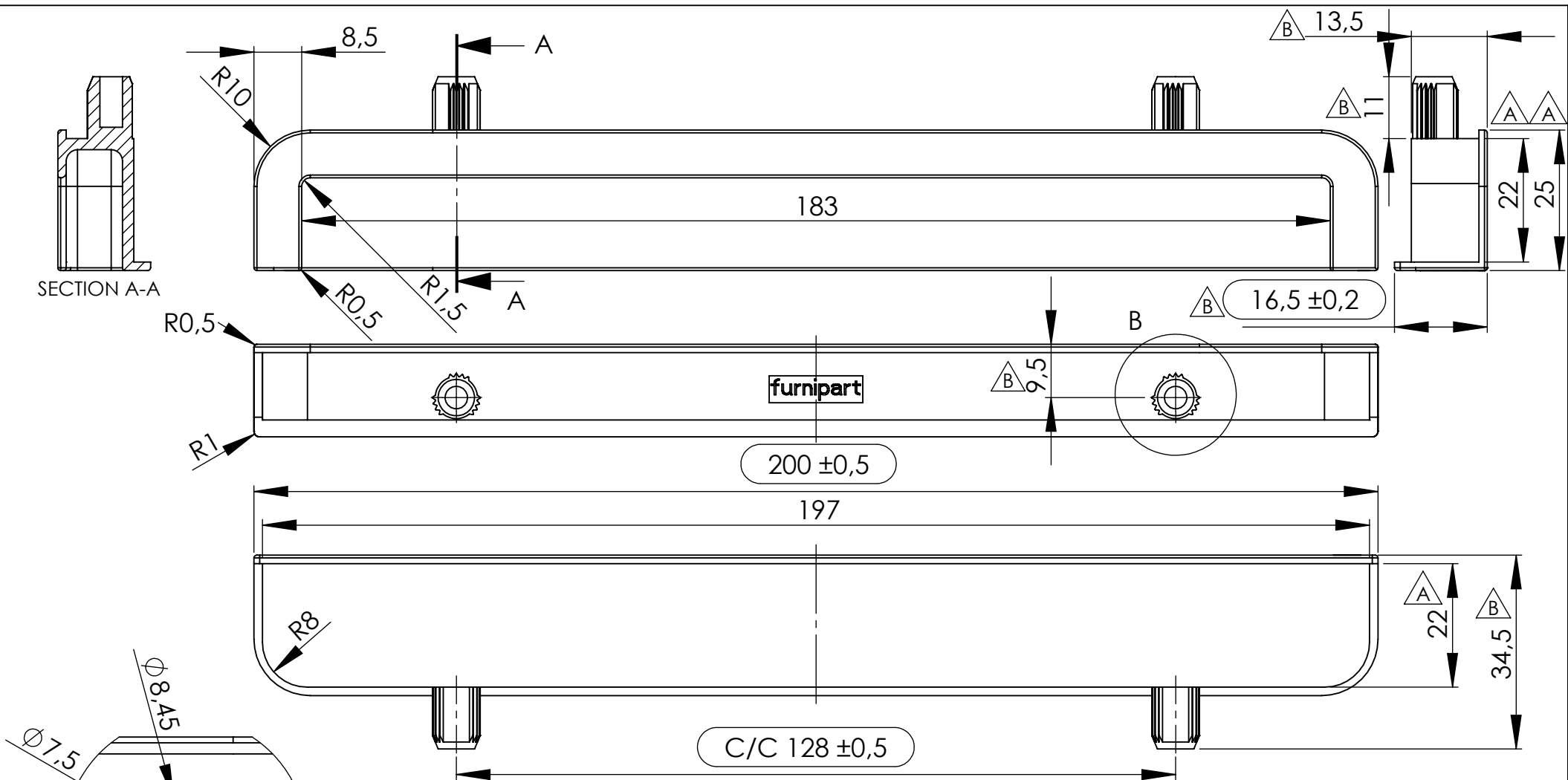
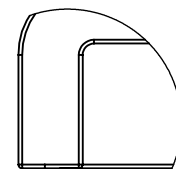
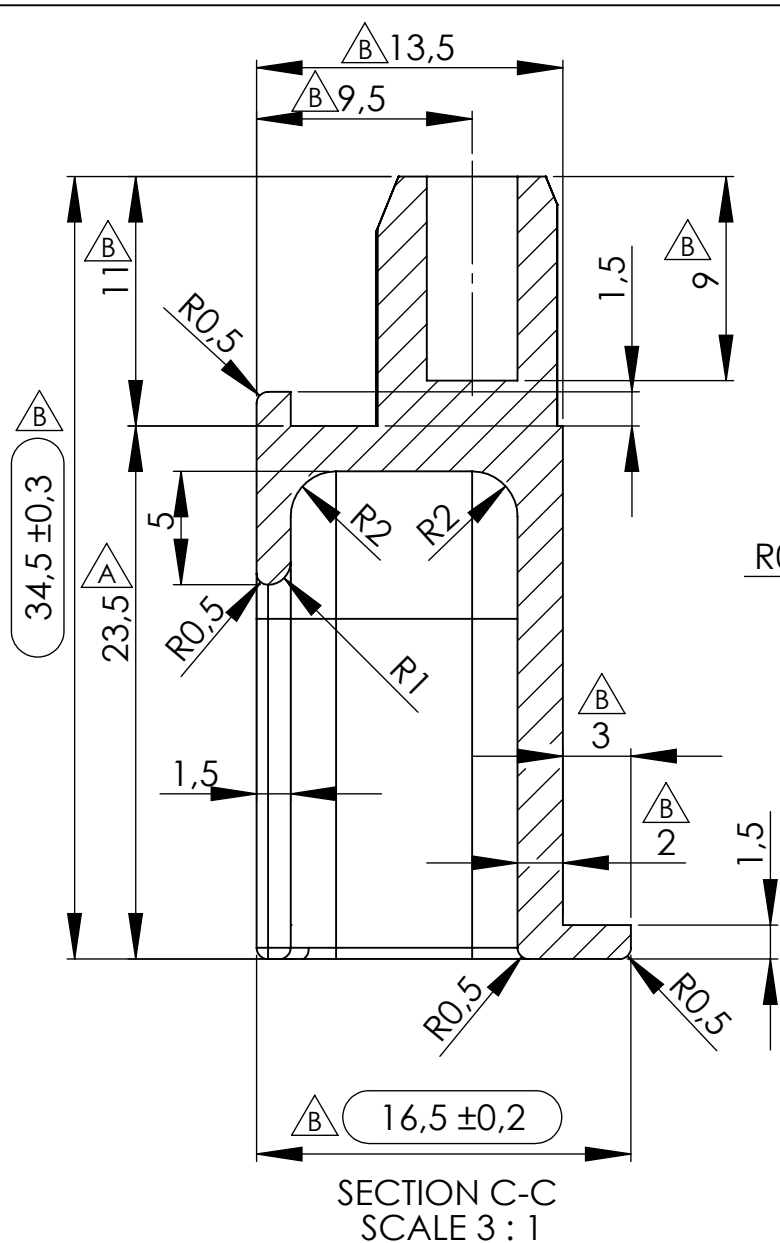


SECTION A-A

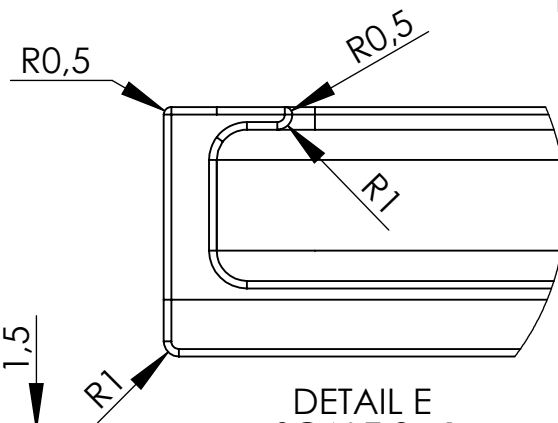


DETAIL B
SCALE 2 : 1

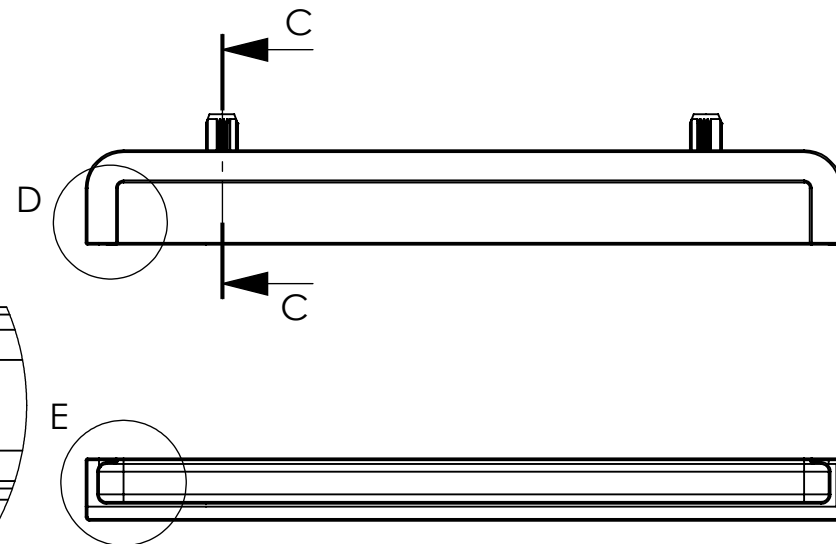
Part name: POCKET		Projection: 	Sheet format: A4	Tolerance unless otherwise specified DS/ISO 2768-1M																			
Customer:		Drawn by: ps date 17.06.2014	Scale: 1:1	<table border="1"> <tr> <th>Linear dimensions:</th> <th>0-3</th> <th>3-6</th> <th>6-30</th> <th>30-120</th> <th>120-400</th> <th>400-1000</th> <th>1000-2000</th> </tr> <tr> <td></td> <td>± 0.1</td> <td>± 0.1</td> <td>± 0.2</td> <td>± 0.3</td> <td>± 0.5</td> <td>± 0.8</td> <td>± 1.2</td> </tr> </table>				Linear dimensions:	0-3	3-6	6-30	30-120	120-400	400-1000	1000-2000		± 0.1	± 0.1	± 0.2	± 0.3	± 0.5	± 0.8	± 1.2
Linear dimensions:	0-3	3-6	6-30	30-120	120-400	400-1000	1000-2000																
	± 0.1	± 0.1	± 0.2	± 0.3	± 0.5	± 0.8	± 1.2																
Part no.: 535260128-66S		Page 1 of 3		<table border="1"> <tr> <th>Angle</th> <th>Radius</th> <th></th> <th></th> </tr> <tr> <td>± 0.5°</td> <td>± 5%</td> <td></td> <td></td> </tr> </table>				Angle	Radius			± 0.5°	± 5%										
Angle	Radius																						
± 0.5°	± 5%																						
Material: Zinc		Weight: 126,07 grams																					
Rev.: C B A		Date: 23-09-2014 07-07-2014 17-06-2014						Delta 2 DK-8382 Hinnerup Phone: +45 87 64 35 00 Fax: +45 87 64 35 01															
Name: PS PS PS		Description: New name and part no. added Dimensions changed Dimensions changed		COPYRIGHT: THIS DRAWING MAY NOT BE COPIED OR REPRODUCED IN ANY WAY WITHOUT DIRECT PERMISSION FROM FURNIPART A/S																			



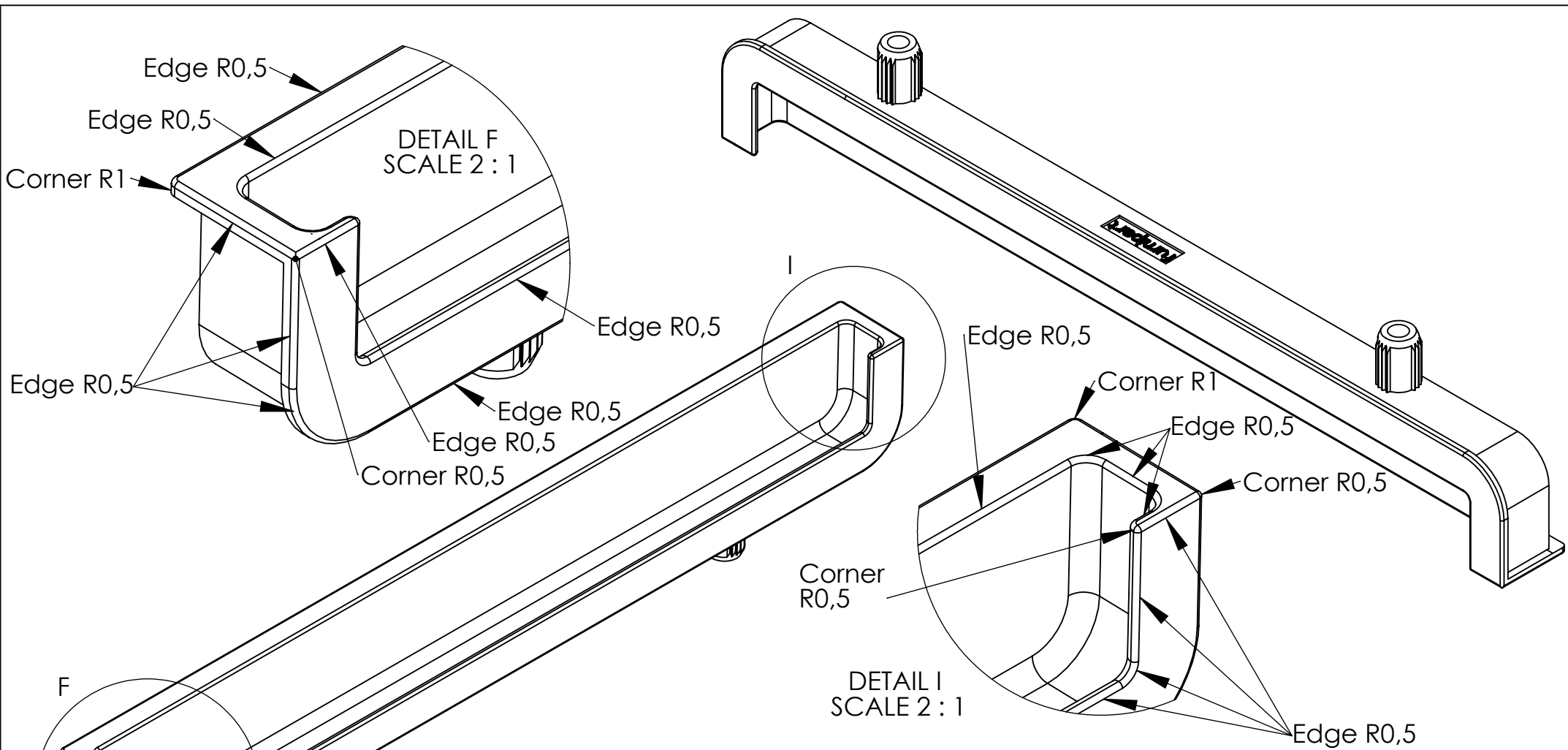
DETAIL D
SCALE 1 : 1



DETAIL E
SCALE 2 : 1



Part name: POCKET	Projection: 	Sheet format: A4	Tolerance unless otherwise specified DS/ISO 2768-1M						
Customer:	Drawn by: ps date 17.06.2014	Scale: 1:2	Linear dimensions:						
Part no.: 535260128-66S	Material: Zinc	Page 2 of 3	0-3	3-6	6-30	30-120	120-400	400-1000	1000-2000
			± 0.1	± 0.1	± 0.2	± 0.3	± 0.5	± 0.8	± 1.2
			Angle		Radius				
			± 0.5°		± 5%				
Rev.: C B A	Date: 23-09-2014 07-07-2014 17-06-2014	Name: PS PS PS	Description: New name and part no. added Dimensions changed Dimensions changed						
			Delta 2 Phone: +45 87 64 35 00 DK-8382 Hinnerup Fax: +45 87 64 35 01						



Part name: POCKET	Projection: 	Sheet format: A4	Tolerance unless otherwise specified DS/ISO 2768-1M							
Customer:	Drawn by: ps date 17.06.2014	Scale: 1:1	Linear dimensions:	0-3	3-6	6-30	30-120	120-400	400-1000	1000-2000
				± 0.1	± 0.1	± 0.2	± 0.3	± 0.5	± 0.8	± 1.2
				Angle	Radius					
				± 0.5°	± 5%					
Part no.: 535260128-66S	Material: Zinc	Weight: 126,07 grams	Page 3 of 3							
Rev.: C B A	Date: 23-09-2014 07-07-2014 17-06-2014	Name: PS PS PS	Description: New name and part no. added Dimensions changed Dimensions changed							

Rev.:	Date:	Name:	Description:
C	23-09-2014	PS	New name and part no. added
B	07-07-2014	PS	Dimensions changed
A	17-06-2014	PS	Dimensions changed