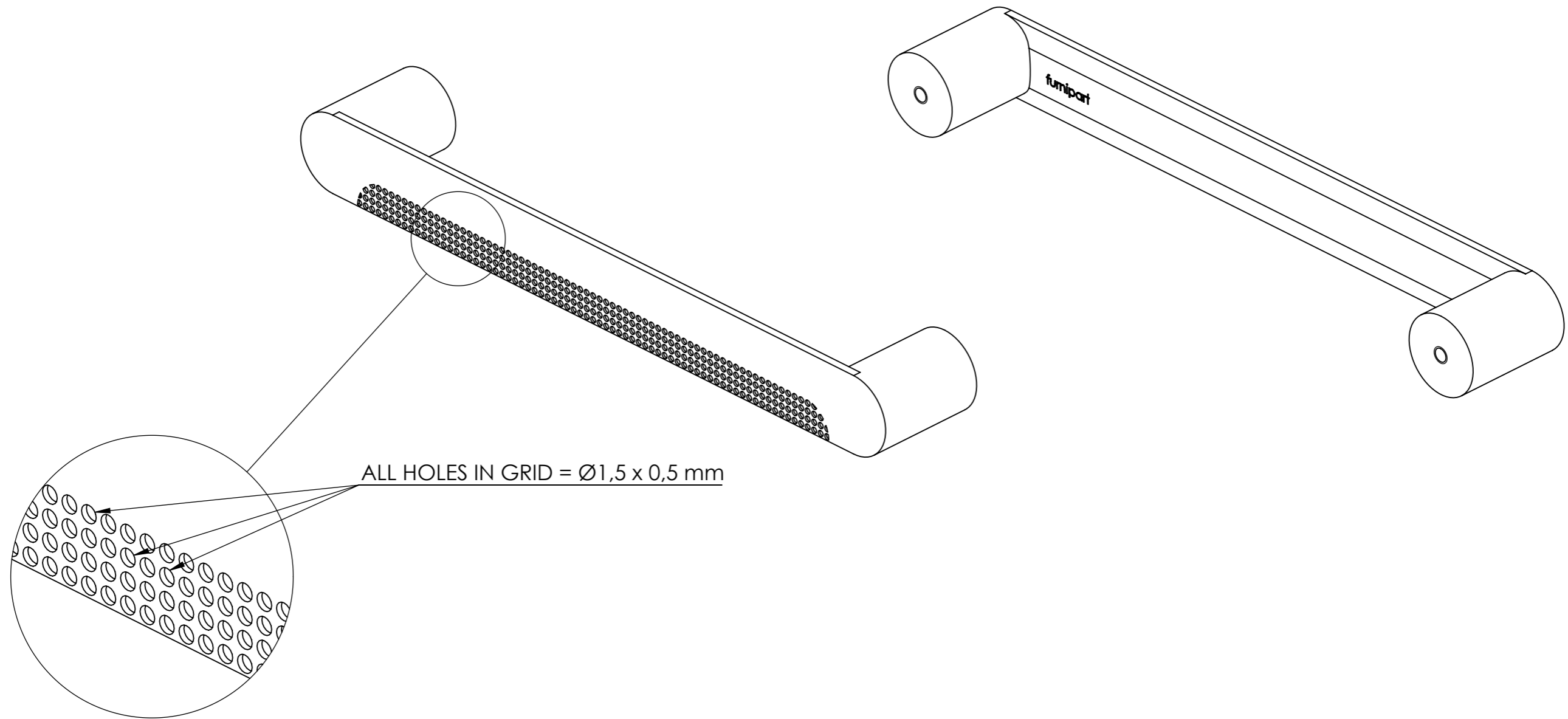


Rev.:	Date:	Name:	Description:
A	10-01-2017	IKR	Initial release

Part name: <b>METRO</b>	Projection: 	Sheet format: <b>A3</b>	Tolerance unless otherwise specified DS/ISO 2768-1M																
Customer:	Drawn by: <b>IKR date 10-01-2017</b>	Scale: <b>1:1.5</b>	Linear dimensions: <table border="1"> <tr> <td>0-3</td> <td>3-6</td> <td>6-30</td> <td>30-120</td> <td>120-400</td> <td>400-1000</td> <td>1000-2000</td> <td>2000-4000</td> </tr> <tr> <td>± 0.1</td> <td>± 0.1</td> <td>± 0.2</td> <td>± 0.3</td> <td>± 0.5</td> <td>± 0.8</td> <td>± 1.2</td> <td>± 2</td> </tr> </table>	0-3	3-6	6-30	30-120	120-400	400-1000	1000-2000	2000-4000	± 0.1	± 0.1	± 0.2	± 0.3	± 0.5	± 0.8	± 1.2	± 2
0-3	3-6	6-30	30-120	120-400	400-1000	1000-2000	2000-4000												
± 0.1	± 0.1	± 0.2	± 0.3	± 0.5	± 0.8	± 1.2	± 2												
Part no.: <b>540960160</b>	Page 1 of 2	Weight: <b>168.46 grams</b>	<table border="1"> <tr> <td>Angle</td> <td>Radius</td> <td> </td> <td> </td> </tr> <tr> <td>± 0.5°</td> <td>± 0.2</td> <td> </td> <td> </td> </tr> </table>	Angle	Radius			± 0.5°	± 0.2										
Angle	Radius																		
± 0.5°	± 0.2																		
Material: <b>Zinc</b>																			
<small>Delta 2 DK-8382 Hinnerup Phone: +45 87 64 35 00 Fax: +45 87 64 35 01</small>																			
<small>COPYRIGHT: THIS DRAWING MAY NOT BE COPIED OR REPRODUCED IN ANY WAY WITHOUT DIRECT PERMISSION FROM FURNIPART A/S</small>																			



ALL HOLES IN GRID = Ø1,5 x 0,5 mm

Part name: <b>METRO</b>	Projection: 	Sheet format: <b>A3</b>	Tolerance unless otherwise specified DS/ISO 2768-1M																		
Customer:	Drawn by: <b>IKR date 10-01-2017</b>	Scale: <b>1:1</b>																			
Part no.: <b>540960160</b>	Page 2 of 2	<table border="1"> <tr> <td>Linear dimensions:</td> <td>0-3</td> <td>3-6</td> <td>6 - 30</td> <td>30- 120</td> <td>120- 400</td> <td>400- 1000</td> <td>1000- 2000</td> <td>2000- 4000</td> </tr> <tr> <td></td> <td>± 0.1</td> <td>± 0.1</td> <td>± 0.2</td> <td>± 0.3</td> <td>± 0.5</td> <td>± 0.8</td> <td>± 1.2</td> <td>± 2</td> </tr> </table>		Linear dimensions:	0-3	3-6	6 - 30	30- 120	120- 400	400- 1000	1000- 2000	2000- 4000		± 0.1	± 0.1	± 0.2	± 0.3	± 0.5	± 0.8	± 1.2	± 2
Linear dimensions:	0-3	3-6	6 - 30	30- 120	120- 400	400- 1000	1000- 2000	2000- 4000													
	± 0.1	± 0.1	± 0.2	± 0.3	± 0.5	± 0.8	± 1.2	± 2													
Material: <b>Zinc</b>	Weight: <b>168.46 grams</b>	<table border="1"> <tr> <td>Angle</td> <td>Radius</td> <td></td> <td></td> </tr> <tr> <td>± 0.5°</td> <td>± 0.2</td> <td></td> <td></td> </tr> </table>		Angle	Radius			± 0.5°	± 0.2												
Angle	Radius																				
± 0.5°	± 0.2																				
<table border="1"> <tr> <th>Rev.:</th> <th>Date:</th> <th>Name:</th> <th>Description:</th> </tr> <tr> <td>A</td> <td>10-01-2017</td> <td>IKR</td> <td>Initial release</td> </tr> <tr> <td> </td> <td> </td> <td> </td> <td> </td> </tr> <tr> <td> </td> <td> </td> <td> </td> <td> </td> </tr> </table>		Rev.:	Date:	Name:	Description:	A	10-01-2017	IKR	Initial release												
Rev.:	Date:	Name:	Description:																		
A	10-01-2017	IKR	Initial release																		
<small>Delta 2 DK-8382 Hinnerup Phone: +45 87 64 35 00 Fax: +45 87 64 35 01</small>																					
<small>COPYRIGHT: THIS DRAWING MAY NOT BE COPIED OR REPRODUCED IN ANY WAY WITHOUT DIRECT PERMISSION FROM FURNIPART A/S</small>																					