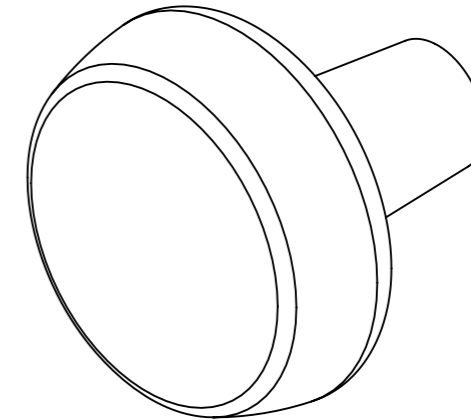
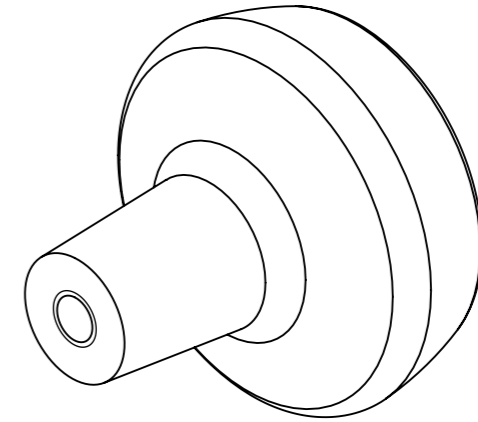


SECTION A-A



| Part name: AUTUM | Projection: | Sheet format: A3 | Tolerance unless otherwise specified | | DS/ISO 2768-1M | | | | | | | | | | | | | | | | | | |
|----------------------------|----------------------------------|----------------------------|--|--------|----------------|--------------------|-----------|-----------|-------|--------|---------|----------|-----------|-----------|--|-------|-------|-------|-------|-------|-------|-------|-----|
| Customer: | Drawn by: IKR date 17-10-2016 | Scale: 2:1 | <table border="1"> <tr> <th>Linear dimensions:</th> <th>0-3</th> <th>3-6</th> <th>6-30</th> <th>30-120</th> <th>120-400</th> <th>400-1000</th> <th>1000-2000</th> <th>2000-4000</th> </tr> <tr> <td></td> <td>± 0.1</td> <td>± 0.1</td> <td>± 0.2</td> <td>± 0.3</td> <td>± 0.5</td> <td>± 0.8</td> <td>± 1.2</td> <td>± 2</td> </tr> </table> | | | Linear dimensions: | 0-3 | 3-6 | 6-30 | 30-120 | 120-400 | 400-1000 | 1000-2000 | 2000-4000 | | ± 0.1 | ± 0.1 | ± 0.2 | ± 0.3 | ± 0.5 | ± 0.8 | ± 1.2 | ± 2 |
| Linear dimensions: | 0-3 | 3-6 | 6-30 | 30-120 | 120-400 | 400-1000 | 1000-2000 | 2000-4000 | | | | | | | | | | | | | | | |
| | ± 0.1 | ± 0.1 | ± 0.2 | ± 0.3 | ± 0.5 | ± 0.8 | ± 1.2 | ± 2 | | | | | | | | | | | | | | | |
| Part no.: 541060028 | Page 1 of 1 | Weight: 49.26 grams | <table border="1"> <tr> <th>Angle</th> <th>Radius</th> </tr> <tr> <td>± 0.5°</td> <td>± 0.2</td> </tr> </table> | | | Angle | Radius | ± 0.5° | ± 0.2 | | | | | | | | | | | | | | |
| Angle | Radius | | | | | | | | | | | | | | | | | | | | | | |
| ± 0.5° | ± 0.2 | | | | | | | | | | | | | | | | | | | | | | |
| Material: Zinc | | | | | | | | | | | | | | | | | | | | | | | |
| | | | Delta 2 DK-8382 Hinnerup Phone: +45 87 64 35 00 Fax: +45 87 64 35 01 | | | | | | | | | | | | | | | | | | | | |

| Rev.: | Date: | Name: | Description: |
|-------|------------|-------|-----------------|
| A | 17-10-2016 | IKR | Initial release |
| | | | |
| | | | |