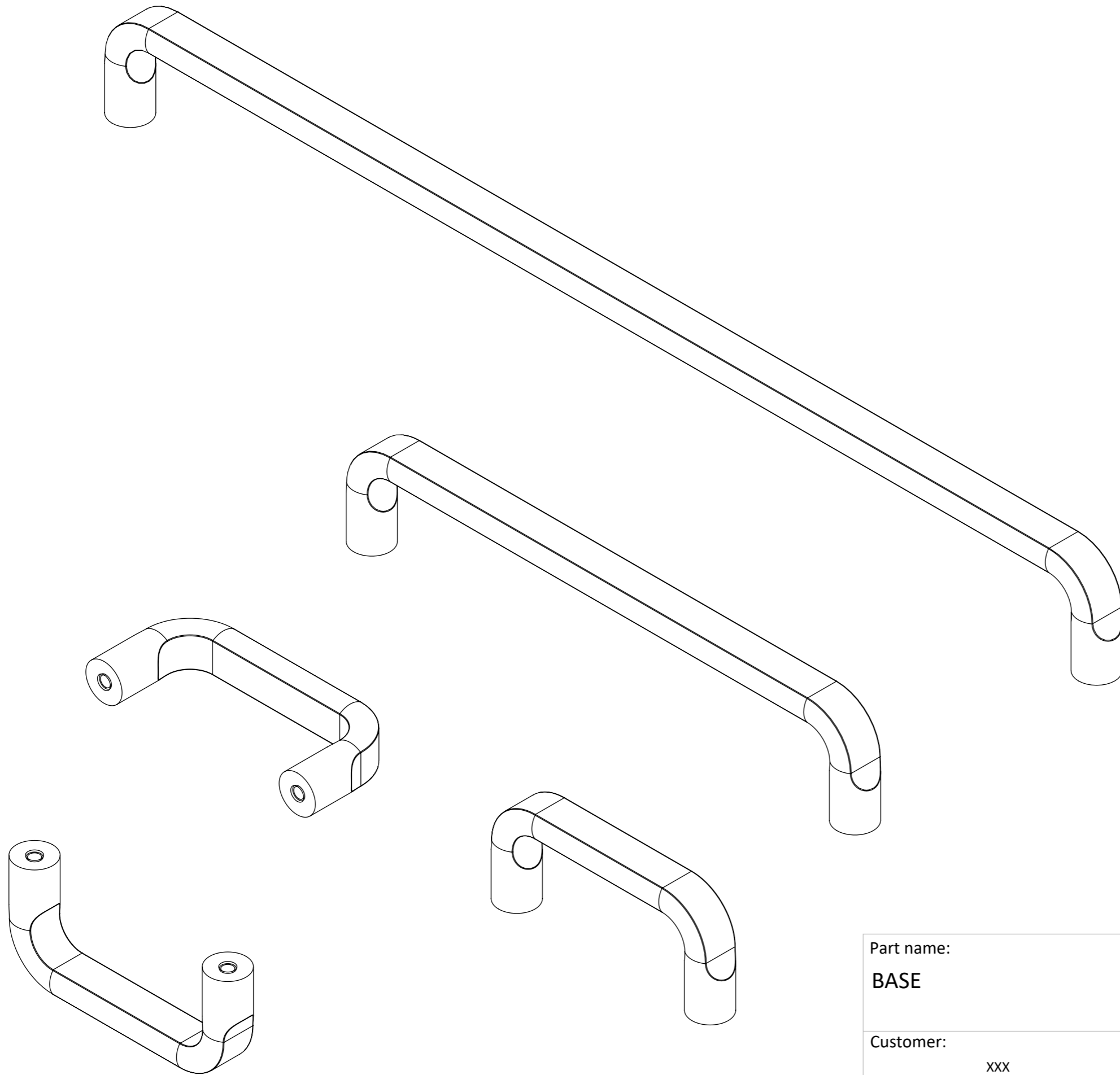



PART NO.	C/C MM	LENGTH MM	WEIGHT GRAM
542960064	64	76	63.08
542960160	160	172	113.10
542960320	320	332	196.46

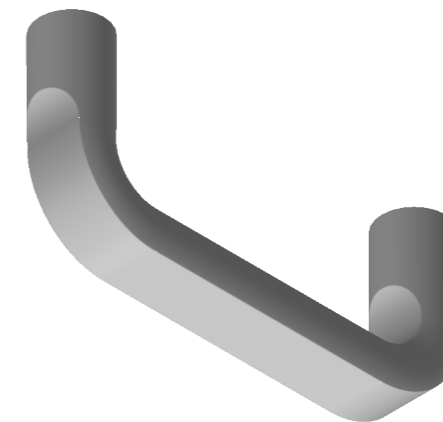
Rev.:	Date:	Name:	Description:
--	---	---	---
--	---	---	---
--	---	---	---
--	---	---	---

Part name: BASE	Projection: 	Sheet format: A3	Tolerance unless otherwise specified DS/ISO 2768-1M Linear dimensions: <table border="1"> <tr> <td>0-3</td> <td>3-6</td> <td>6-30</td> <td>30-120</td> <td>120-400</td> <td>400-1000</td> <td>1000-2000</td> </tr> <tr> <td>±0,1</td> <td>±0,1</td> <td>±0,2</td> <td>±0,3</td> <td>±0,5</td> <td>±0,8</td> <td>±1,2</td> </tr> </table>	0-3	3-6	6-30	30-120	120-400	400-1000	1000-2000	±0,1	±0,1	±0,2	±0,3	±0,5	±0,8	±1,2
0-3	3-6	6-30		30-120	120-400	400-1000	1000-2000										
±0,1	±0,1	±0,2	±0,3	±0,5	±0,8	±1,2											
Customer: XXX	Drawn by: IBL	Scale: 2:1	<table border="1"> <tr> <td>Angle</td> <td>Radius</td> </tr> <tr> <td>±0,5°</td> <td>±5%</td> </tr> </table>	Angle	Radius	±0,5°	±5%										
Angle	Radius																
±0,5°	±5%																
Part no.: 542960XXX	Material: Zinc AG40A (Zn-4Al-0.4Mg; Zamak 3), Cast	Sheet 1 of 5	 Delta 2 Phone: +45 87 64 35 00 DK-8382 Hinnerup E-mail: fp@furnipart.com														
Weight: XXX	COPYRIGHT: THIS DRAWING MAY NOT BE COPIED OR REPRODUCED IN ANY WAY WITHOUT DIRECT PERMISSION FROM FURNIPART A/S																



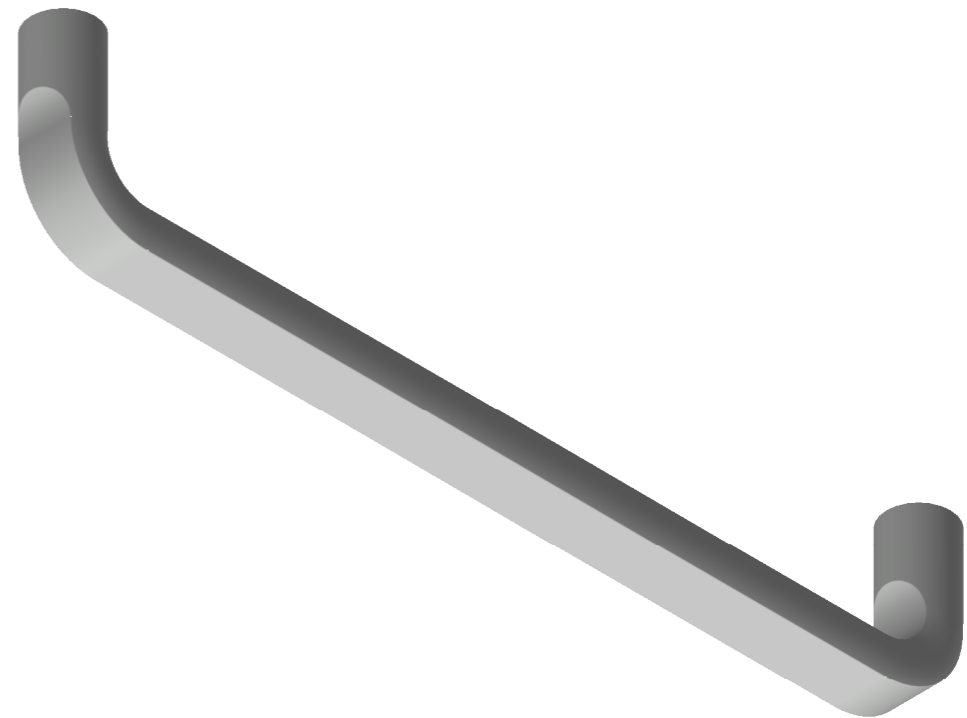
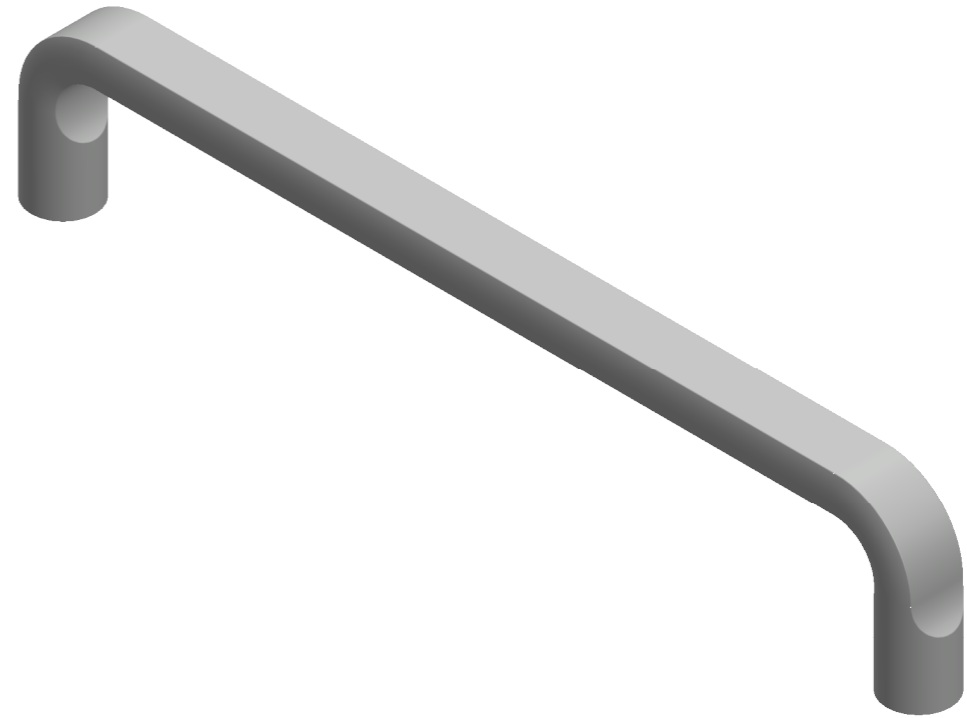
Rev.:	Date:	Name:	Description:
--	---	---	---
--	---	---	---
--	---	---	---
--	---	---	---

Part name: BASE	Projection: 	Sheet format: A3	Tolerance unless otherwise specified DS/ISO 2768-1M Linear dimensions:														
Customer: XXX	Drawn by: IBL	Scale: 1:1															
Part no.: 542960XXX	Material: Zinc AG40A (Zn-4Al-0.4Mg; Zamak 3), Cast	Sheet 2 of 5	<table border="1"> <thead> <tr> <th>0-3</th> <th>3-6</th> <th>6-30</th> <th>30-120</th> <th>120-400</th> <th>400-1000</th> <th>1000-2000</th> </tr> </thead> <tbody> <tr> <td>±0,1</td> <td>±0,1</td> <td>±0,2</td> <td>±0,3</td> <td>±0,5</td> <td>±0,8</td> <td>±1,2</td> </tr> </tbody> </table>	0-3	3-6	6-30	30-120	120-400	400-1000	1000-2000	±0,1	±0,1	±0,2	±0,3	±0,5	±0,8	±1,2
0-3	3-6	6-30	30-120	120-400	400-1000	1000-2000											
±0,1	±0,1	±0,2	±0,3	±0,5	±0,8	±1,2											
Weight: XXX	<table border="1"> <thead> <tr> <th>Angle</th> <th>Radius</th> </tr> </thead> <tbody> <tr> <td>±0,5°</td> <td>±5%</td> </tr> </tbody> </table>		Angle	Radius	±0,5°	±5%	<p>furnipart®</p> <p>Delta 2 Phone: +45 87 64 35 00 DK-8382 Hinnerup E-mail: fp@furnipart.com</p>										
Angle	Radius																
±0,5°	±5%																
COPYRIGHT: THIS DRAWING MAY NOT BE COPIED OR REPRODUCED IN ANY WAY WITHOUT DIRECT PERMISSION FROM FURNIPART A/S																	



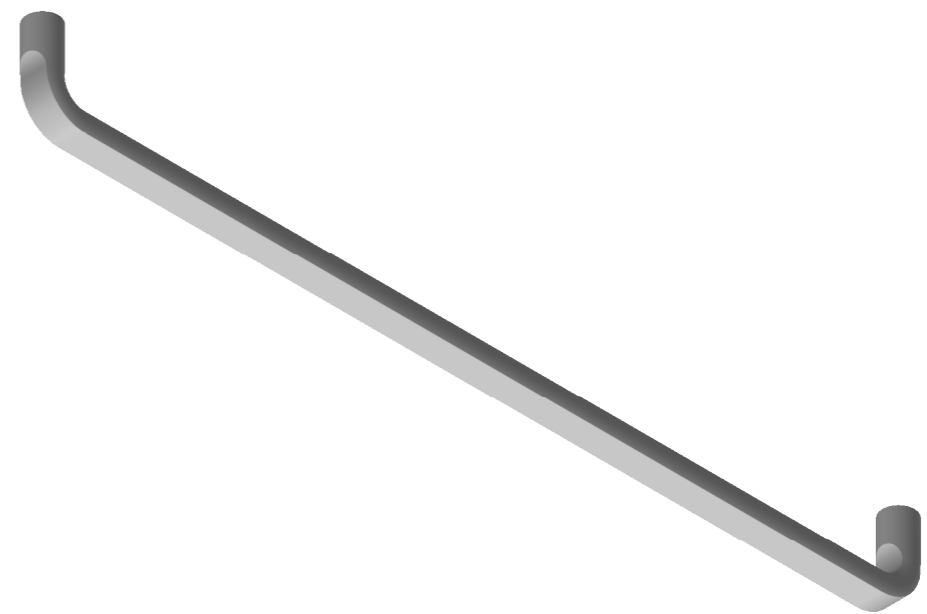
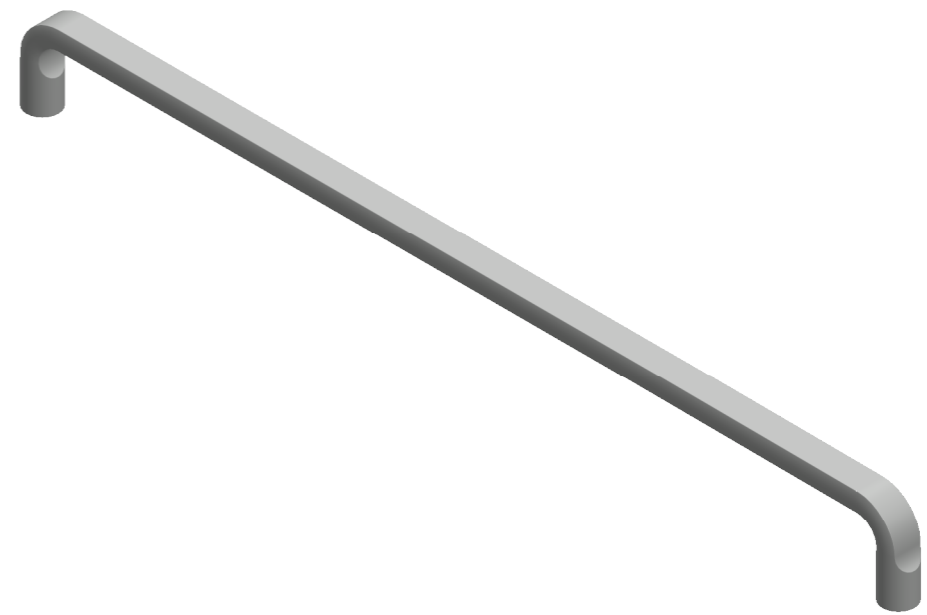
Rev.:	Date:	Name:	Description:

Part name: BASE	Projection: 	Sheet format: A3 Scale: 1:1	Tolerance unless otherwise specified DS/ISO 2768-1M Linear dimensions:														
Designer: Steve McGugan	Drawn by: BSC 19-02-2018		<table border="1"> <tr> <td>0-3</td> <td>3-6</td> <td>6-30</td> <td>30-120</td> <td>120-400</td> <td>400-1000</td> <td>1000-2000</td> </tr> <tr> <td>±0,1</td> <td>±0,1</td> <td>±0,2</td> <td>±0,3</td> <td>±0,5</td> <td>±0,8</td> <td>±1,2</td> </tr> </table>	0-3	3-6	6-30	30-120	120-400	400-1000	1000-2000	±0,1	±0,1	±0,2	±0,3	±0,5	±0,8	±1,2
0-3	3-6	6-30	30-120	120-400	400-1000	1000-2000											
±0,1	±0,1	±0,2	±0,3	±0,5	±0,8	±1,2											
Part no.: 542960064	Sheet 1		<table border="1"> <tr> <td>Angle</td> <td>Radius</td> </tr> <tr> <td>±0,5°</td> <td>±5%</td> </tr> </table>	Angle	Radius	±0,5°	±5%										
Angle	Radius																
±0,5°	±5%																
Material: Zink	Weight: grams		<p>furnipart®</p> <p>Delta 2 Phone: +45 87 64 35 00 DK-8382 Hinnerup E-mail: fp@furnipart.com</p>														
COPYRIGHT: THIS DRAWING MAY NOT BE COPIED OR REPRODUCED IN ANY WAY WITHOUT DIRECT PERMISSION FROM FURNIPART A/S																	



Rev.:	Date:	Name:	Description:

Part name: BASE	Projection: 	Sheet format: A3 Scale: 1:1	Tolerance unless otherwise specified DS/ISO 2768-1M Linear dimensions: <table border="1"> <tr> <td>0-3</td> <td>3-6</td> <td>6-30</td> <td>30-120</td> <td>120-400</td> <td>400-1000</td> <td>1000-2000</td> </tr> <tr> <td>±0,1</td> <td>±0,1</td> <td>±0,2</td> <td>±0,3</td> <td>±0,5</td> <td>±0,8</td> <td>±1,2</td> </tr> </table>	0-3	3-6	6-30	30-120	120-400	400-1000	1000-2000	±0,1	±0,1	±0,2	±0,3	±0,5	±0,8	±1,2
0-3	3-6	6-30	30-120	120-400	400-1000	1000-2000											
±0,1	±0,1	±0,2	±0,3	±0,5	±0,8	±1,2											
Designer: Steve McGugan	Drawn by: BSC 19-02-2018	<table border="1"> <tr> <td>Angle</td> <td>Radius</td> </tr> <tr> <td>±0,5°</td> <td>±5%</td> </tr> </table>		Angle	Radius	±0,5°	±5%										
Angle	Radius																
±0,5°	±5%																
Part no.: 542960160	Sheet 1	 Delta 2 Phone: +45 87 64 35 00 DK-8382 Hinnerup E-mail: fp@furnipart.com															
Material: Zink	Weight: grams																
COPYRIGHT: THIS DRAWING MAY NOT BE COPIED OR REPRODUCED IN ANY WAY WITHOUT DIRECT PERMISSION FROM FURNIPART A/S																	



Rev.:	Date:	Name:	Description:

Part name: BASE	Projection: 	Sheet format: A3 Scale: 1:2	Tolerance unless otherwise specified DS/ISO 2768-1M Linear dimensions:														
Designer: Steve McGugan	Drawn by: BSC 19-02-2018		<table border="1"> <tr> <td>0-3</td> <td>3-6</td> <td>6-30</td> <td>30-120</td> <td>120-400</td> <td>400-1000</td> <td>1000-2000</td> </tr> <tr> <td>±0,1</td> <td>±0,1</td> <td>±0,2</td> <td>±0,3</td> <td>±0,5</td> <td>±0,8</td> <td>±1,2</td> </tr> </table>	0-3	3-6	6-30	30-120	120-400	400-1000	1000-2000	±0,1	±0,1	±0,2	±0,3	±0,5	±0,8	±1,2
0-3	3-6	6-30	30-120	120-400	400-1000	1000-2000											
±0,1	±0,1	±0,2	±0,3	±0,5	±0,8	±1,2											
Part no.: 542960320	Sheet 1		<table border="1"> <tr> <td>Angle</td> <td>Radius</td> </tr> <tr> <td>±0,5°</td> <td>±5%</td> </tr> </table>	Angle	Radius	±0,5°	±5%										
Angle	Radius																
±0,5°	±5%																
Material: Zink	Weight: grams																
COPYRIGHT: THIS DRAWING MAY NOT BE COPIED OR REPRODUCED IN ANY WAY WITHOUT DIRECT PERMISSION FROM FURNIPART A/S		Delta 2 Phone: +45 87 64 35 00 DK-8382 Hinnerup E-mail: fp@furnipart.com															