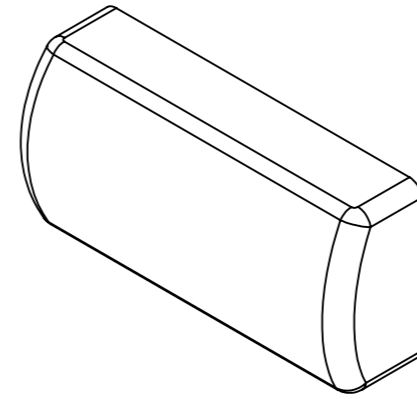
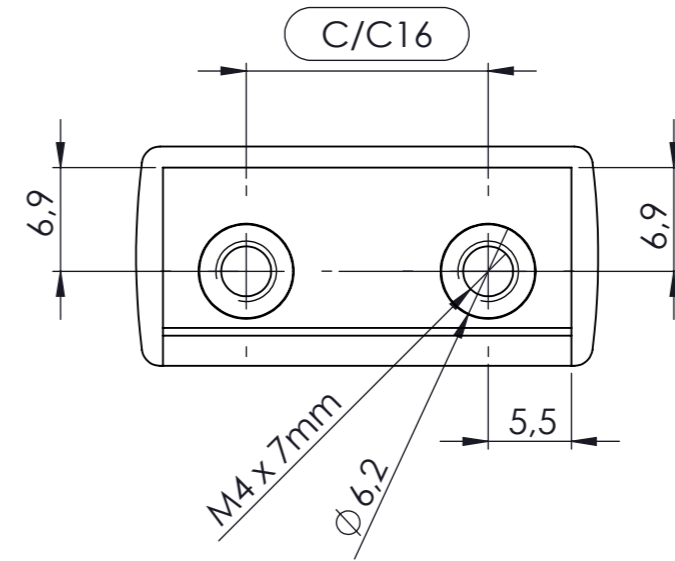
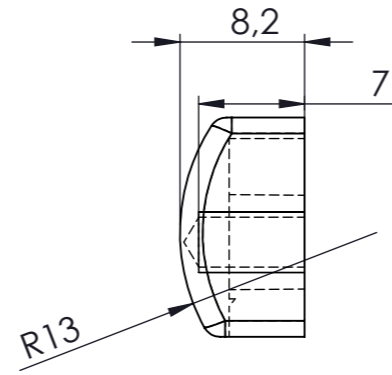
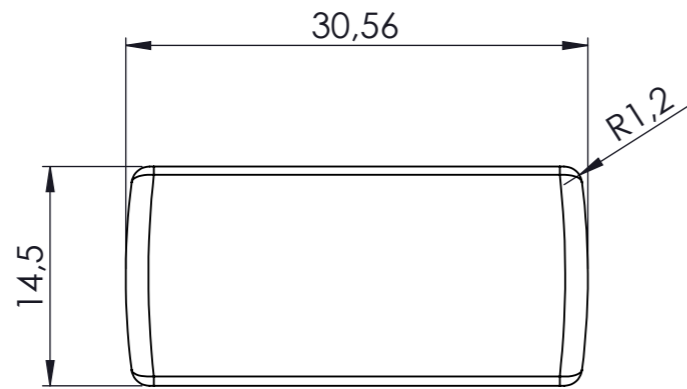
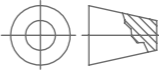



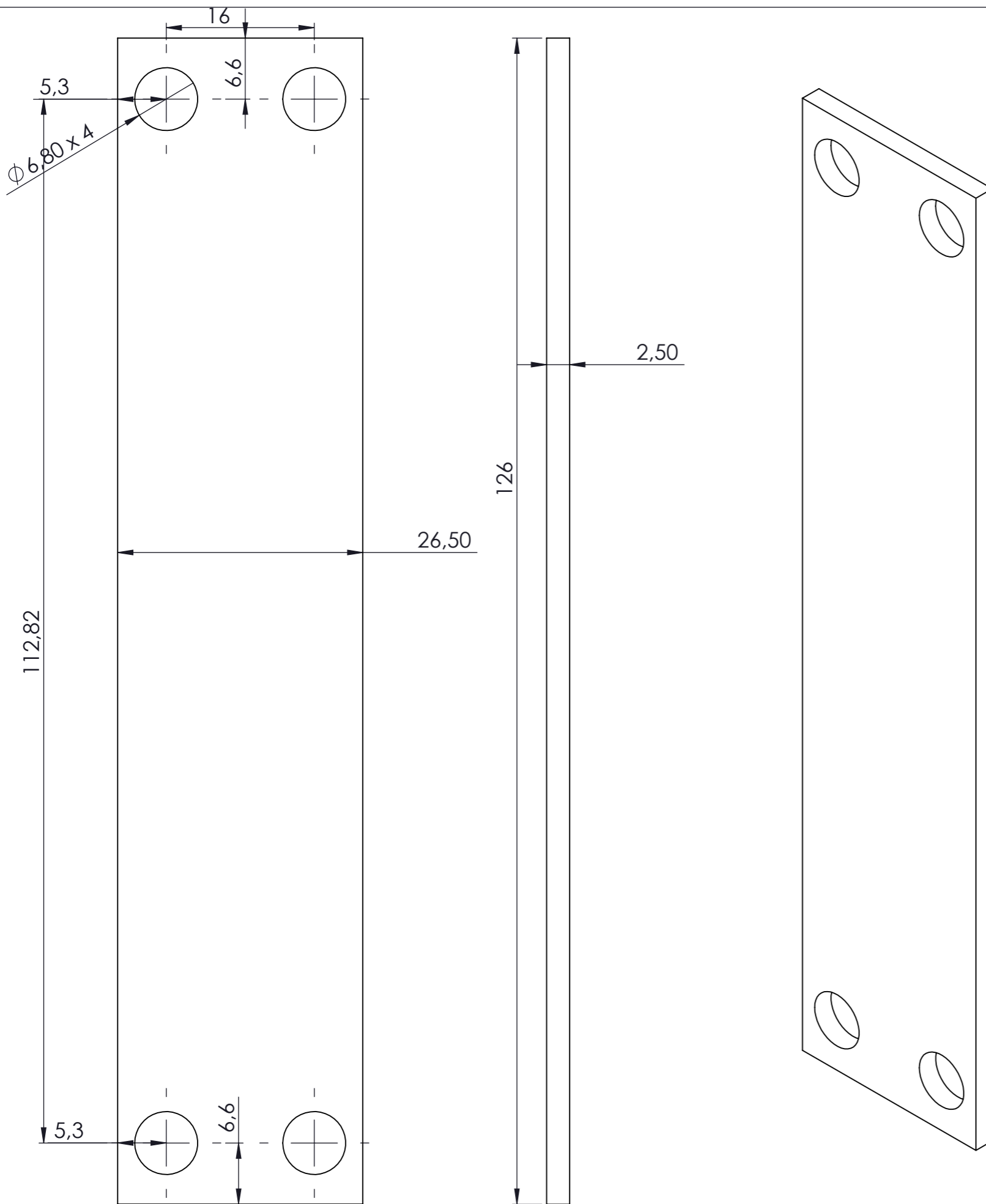
Rev.:	Date:	Name:	Description:

Part name: STRAP	Projection: 	Sheet format: A3	Tolerance unless otherwise specified DS/ISO 2768-1M Linear dimensions: <table border="1"> <tr> <td>0-3</td> <td>3-6</td> <td>6-30</td> <td>30-120</td> <td>120-400</td> <td>400-1000</td> <td>1000-</td> </tr> <tr> <td>±0,1</td> <td>±0,1</td> <td>±0,2</td> <td>±0,3</td> <td>±0,5</td> <td>±0,8</td> <td>±1,2</td> </tr> </table>	0-3	3-6	6-30	30-120	120-400	400-1000	1000-	±0,1	±0,1	±0,2	±0,3	±0,5	±0,8	±1,2
0-3	3-6	6-30		30-120	120-400	400-1000	1000-										
±0,1	±0,1	±0,2	±0,3	±0,5	±0,8	±1,2											
Designer: Adam Laws	Drawn by: MCH 29-09-2018	Scale: 2:1	AngleRadius ±0,5° ±5%														
Part no.: 545560016	Sheet 1 of 3	Material:	furnipart® Delta 2 Phone: +45 87 64 35 00 DK-8382 Hinnerup E-mail: fp@furnipart.com														
Material:	Weight:	Weight:															
COPYRIGHT: THIS DRAWING MAY NOT BE COPIED OR REPRODUCED IN ANY WAY WITHOUT DIRECT PERMISSION FROM FURNIPART A/S																	



Rev.:	Date:	Name:	Description:

Part name:	Projection: 	Sheet format: A3	Tolerance unless otherwise specified DS/ISO 2768-1M Linear dimensions:														
Designer:	Drawn by: MCH 29-09-2018	Scale: 2:1															
Part no.: Z545560016	Sheet 2 of 3	<table border="1"> <thead> <tr> <th>0-3</th> <th>3-6</th> <th>6-30</th> <th>30-120</th> <th>120-400</th> <th>400-1000</th> <th>1000-2000</th> </tr> </thead> <tbody> <tr> <td>±0,1</td> <td>±0,1</td> <td>±0,2</td> <td>±0,3</td> <td>±0,5</td> <td>±0,8</td> <td>±1,2</td> </tr> </tbody> </table>		0-3	3-6	6-30	30-120	120-400	400-1000	1000-2000	±0,1	±0,1	±0,2	±0,3	±0,5	±0,8	±1,2
0-3	3-6	6-30	30-120	120-400	400-1000	1000-2000											
±0,1	±0,1	±0,2	±0,3	±0,5	±0,8	±1,2											
Material:	Weight:	<table border="1"> <thead> <tr> <th>Angle</th> <th>Radius</th> </tr> </thead> <tbody> <tr> <td>±0,5°</td> <td>±5%</td> </tr> </tbody> </table>		Angle	Radius	±0,5°	±5%										
Angle	Radius																
±0,5°	±5%																
																	
Delta 2 Phone: +45 87 64 35 00 DK-8382 Hinnerup E-mail: fp@furnipart.com																	
COPYRIGHT: THIS DRAWING MAY NOT BE COPIED OR REPRODUCED IN ANY WAY WITHOUT DIRECT PERMISSION FROM FURNIPART A/S																	



Part name: STRAP	Projection: 	Sheet format: A3	Tolerance unless otherwise specified DS/ISO 2768-1M						
Designer:	Drawn by: MCH 26-09-2018	Scale: 2:1	Linear dimensions:						
Part no.: 102690126	Sheet 3 of 3		0-3	3-6	6-30	30-120	120-400	400-1000	1000-2000
Material:	Weight:		±0,1	±0,1	±0,2	±0,3	±0,5	±0,8	±1,2
			Angle		Radius				
			±0,5°		±5%				
			furnipart®						
			Delta 2 Phone: +45 87 64 35 00 DK-8382 Hinnerup E-mail: fp@furnipart.com						
COPYRIGHT: THIS DRAWING MAY NOT BE COPIED OR REPRODUCED IN ANY WAY WITHOUT DIRECT PERMISSION FROM FURNIPART A/S									

Rev.:	Date:	Name:	Description: