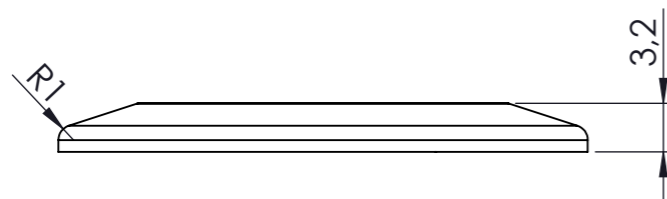
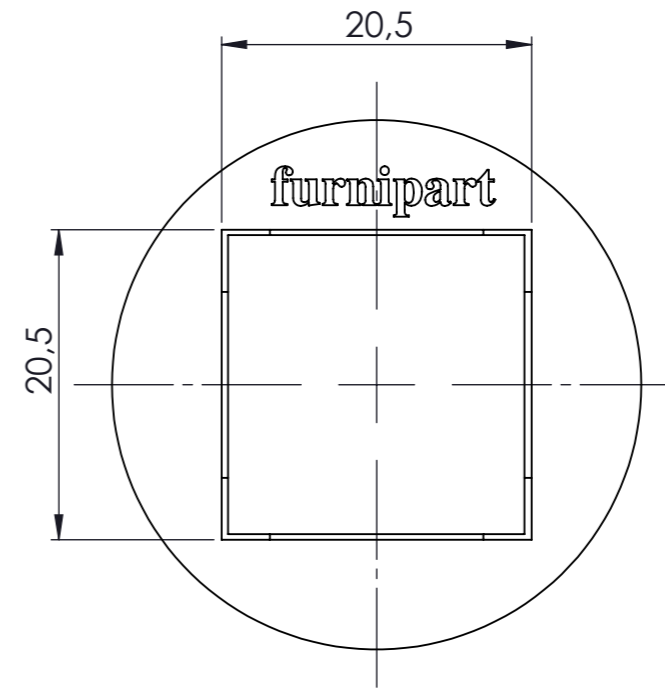
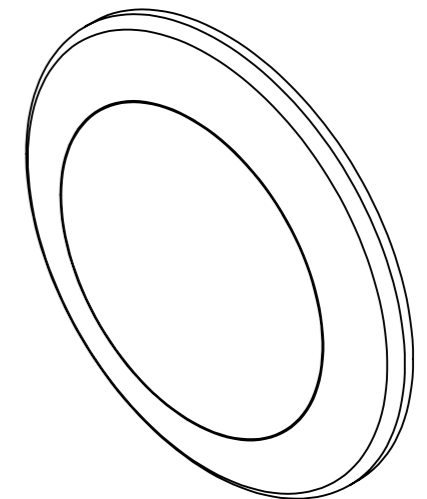
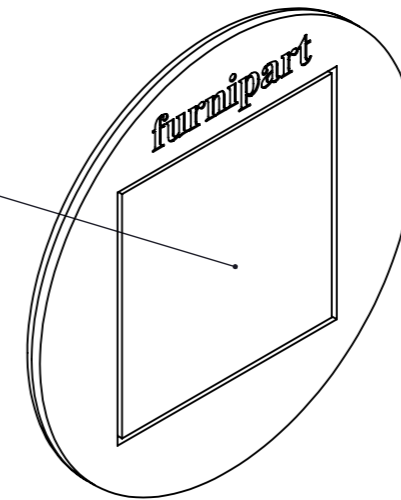


SECTION A-A



Double sided tape



Rev.:	Date:	Name:	Description:
A			
B			
C			
D			

Part name: <b>DISC</b>	Projection: 	Sheet format: <b>A3</b>	Tolerance unless otherwise specified DS/ISO 2768-1M Linear dimensions: <table border="1"> <tr> <td>0-3</td> <td>3-6</td> <td>6-30</td> <td>30-120</td> <td>120-400</td> <td>400-1000</td> <td>1000-2000</td> </tr> <tr> <td>±0,1</td> <td>±0,1</td> <td>±0,2</td> <td>±0,3</td> <td>±0,5</td> <td>±0,8</td> <td>±1,2</td> </tr> </table>	0-3	3-6	6-30	30-120	120-400	400-1000	1000-2000	±0,1	±0,1	±0,2	±0,3	±0,5	±0,8	±1,2
0-3	3-6	6-30		30-120	120-400	400-1000	1000-2000										
±0,1	±0,1	±0,2	±0,3	±0,5	±0,8	±1,2											
Designer: Steffensen og Wurtz	Drawn by: MCH 15-09-2020	Scale: <b>2:1</b>	AngleRadius ±0,5° ±5%														
Part no.: <b>550120035</b>	Material: <b>Zinc Alloy</b>	Sheet 1 of 1	 Delta 2 Phone: +45 87 64 35 00 DK-8382 Hinnerup E-mail: fp@furnipart.com														
	Weight: <b>15.78</b>																
COPYRIGHT: THIS DRAWING MAY NOT BE COPIED OR REPRODUCED IN ANY WAY WITHOUT DIRECT PERMISSION FROM FURNIPART A/S																	