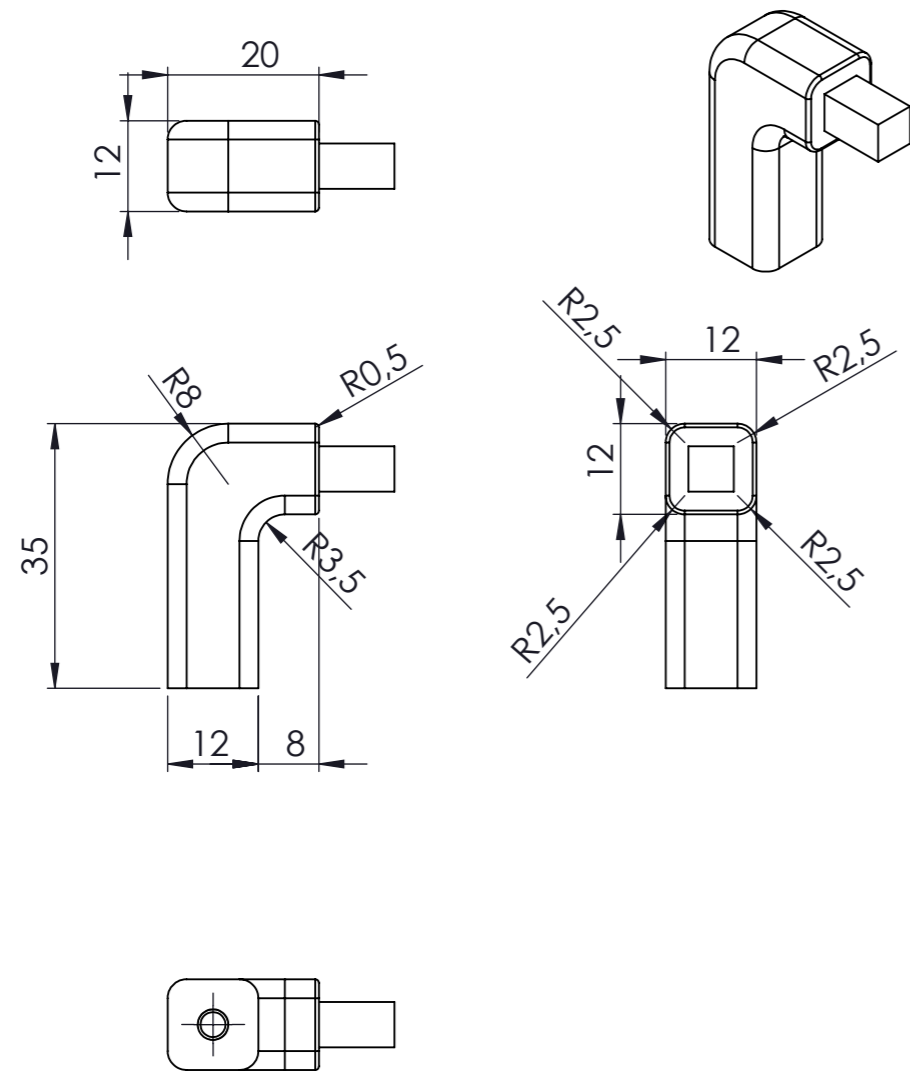
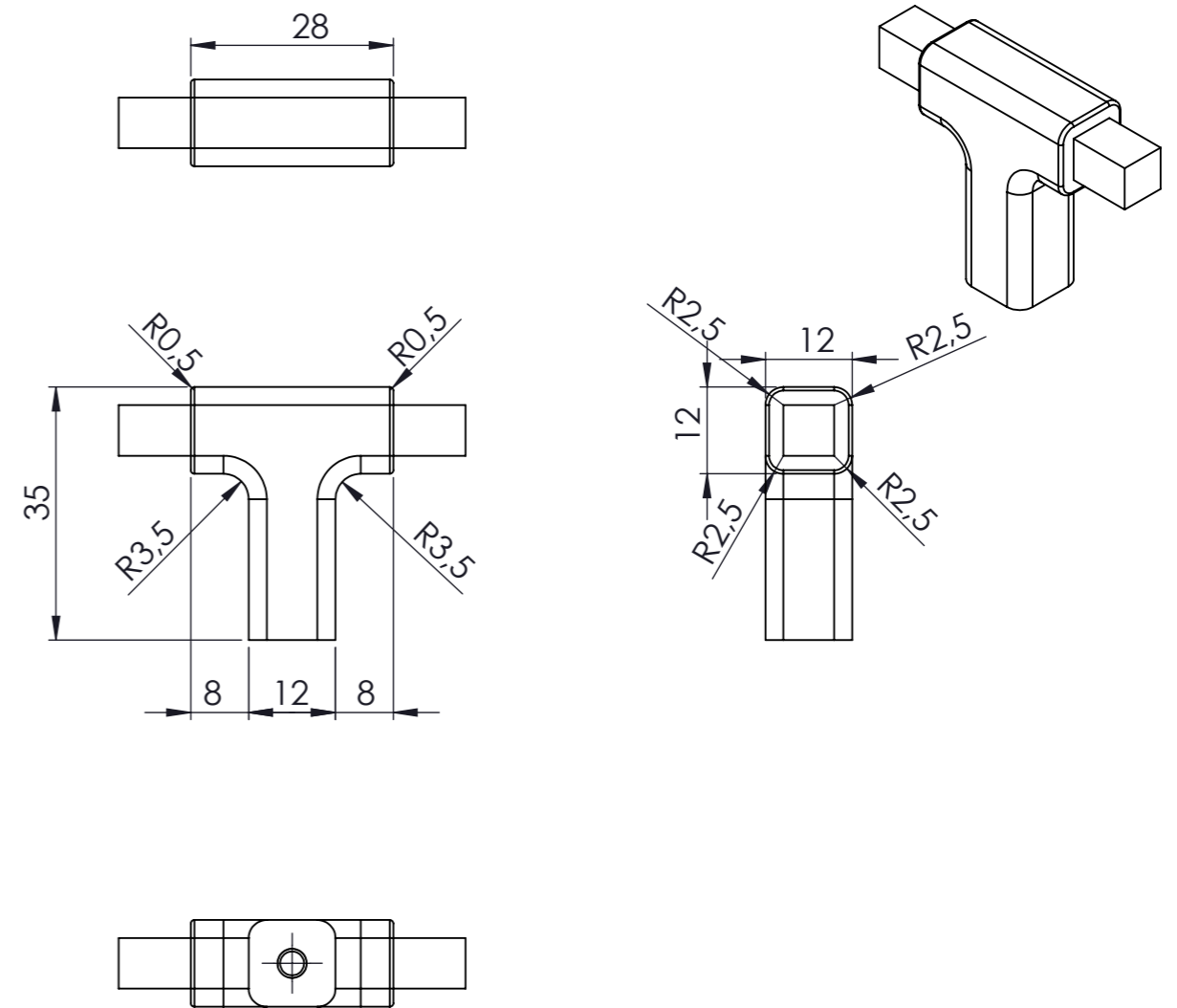


Part name: MANGO	Projection: 	Sheet format: A3	Tolerance unless otherwise specified DS/ISO 2768-1M																						
Designer:	Drawn by: MCH 18-06-2021	Scale: 1:5	Linear dimensions:	0-3	3-6	6-30	30-120	120-400	400-1000	1000-2000															
Part no.: 552420xxx	Sheet 1 of 2			±0,1	±0,1	±0,2	±0,3	±0,5	±0,8	±1,2															
Material: Zinc / Alu	Weight:		Angle	±0,5°	Radius	±5%																			
<table border="1"> <thead> <tr> <th>Rev.:</th> <th>Date:</th> <th>Name:</th> <th>Description:</th> </tr> </thead> <tbody> <tr> <td>A</td> <td>13-09-2021</td> <td>MCH</td> <td>Item no. added</td> </tr> <tr> <td>B</td> <td>08-10-2021</td> <td>MCH</td> <td>MANGO w/ 2 feet and MANGO w/ 3 feet merged to one item no.</td> </tr> <tr> <td>C</td> <td>19-10-2021</td> <td>MCH</td> <td>Tolerances changed</td> </tr> </tbody> </table>			Rev.:	Date:	Name:	Description:	A	13-09-2021	MCH	Item no. added	B	08-10-2021	MCH	MANGO w/ 2 feet and MANGO w/ 3 feet merged to one item no.	C	19-10-2021	MCH	Tolerances changed							
Rev.:	Date:	Name:	Description:																						
A	13-09-2021	MCH	Item no. added																						
B	08-10-2021	MCH	MANGO w/ 2 feet and MANGO w/ 3 feet merged to one item no.																						
C	19-10-2021	MCH	Tolerances changed																						
COPYRIGHT: THIS DRAWING MAY NOT BE COPIED OR REPRODUCED IN ANY WAY WITHOUT DIRECT PERMISSION FROM FURNIPART A/S			Delta 2 Phone: +45 87 64 35 00 DK-8382 Hinnerup E-mail: fp@furnipart.com																						

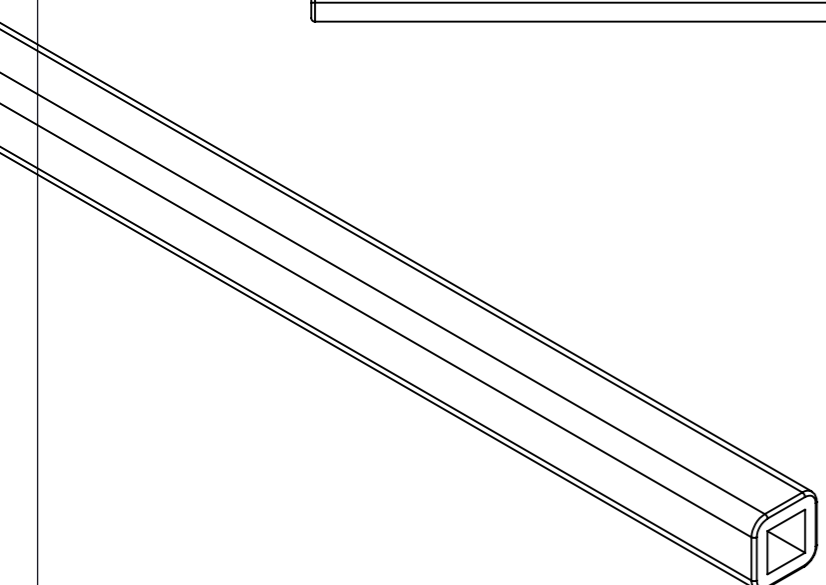
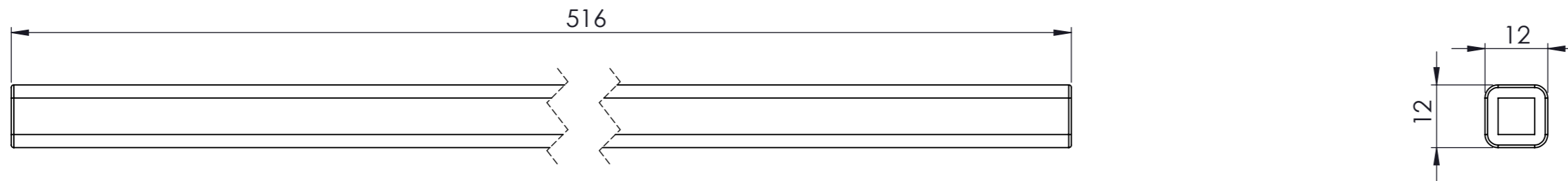
End foot



Midle foot



Rail



Rev.:	Date:	Name:	Description:
A	13-09-2021	MCH	Item no. added
B	08-10-2021	MCH	MANGO w/ 2 feet and MANGO w/ 3 feet merged to one item no.
C	19-10-2021	MCH	Tolerances changed

Part name: MANGO	Projection: 	Sheet format: A3	Tolerance unless otherwise specified DS/ISO 2768-1M Linear dimensions: <table border="1"> <tr> <td>0-3</td> <td>3-6</td> <td>6-30</td> <td>30-120</td> <td>120-400</td> <td>400-1000</td> <td>1000-2000</td> </tr> <tr> <td>±0,1</td> <td>±0,1</td> <td>±0,2</td> <td>±0,3</td> <td>±0,5</td> <td>±0,8</td> <td>±1,2</td> </tr> </table>	0-3	3-6	6-30	30-120	120-400	400-1000	1000-2000	±0,1	±0,1	±0,2	±0,3	±0,5	±0,8	±1,2
0-3	3-6	6-30		30-120	120-400	400-1000	1000-2000										
±0,1	±0,1	±0,2	±0,3	±0,5	±0,8	±1,2											
Designer:	Drawn by: MCH 18-06-2021	Scale: 1:1	AngleRadius ±0,5° ±5%														
Part no.: 552420xxx	Material: Zink / Alu	Sheet 2 of 2	furnipart® Delta 2 Phone: +45 87 64 35 00 DK-8382 Hinnerup E-mail: fp@furnipart.com														
Material: Zink / Alu		Weight:															
COPYRIGHT: THIS DRAWING MAY NOT BE COPIED OR REPRODUCED IN ANY WAY WITHOUT DIRECT PERMISSION FROM FURNIPART A/S																	