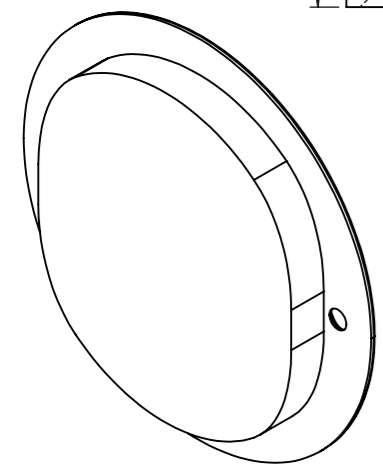
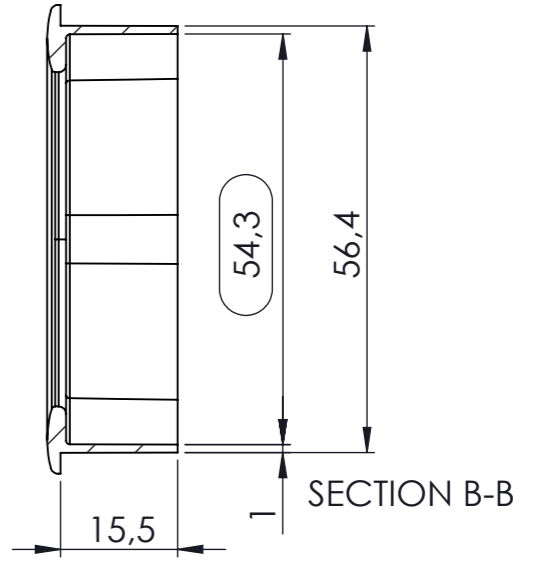
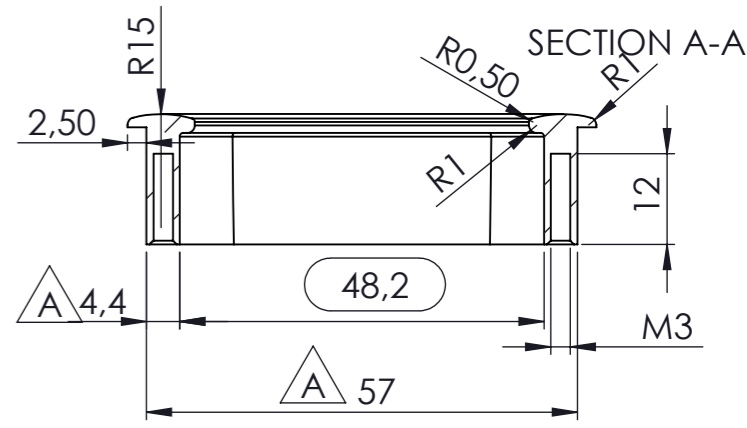
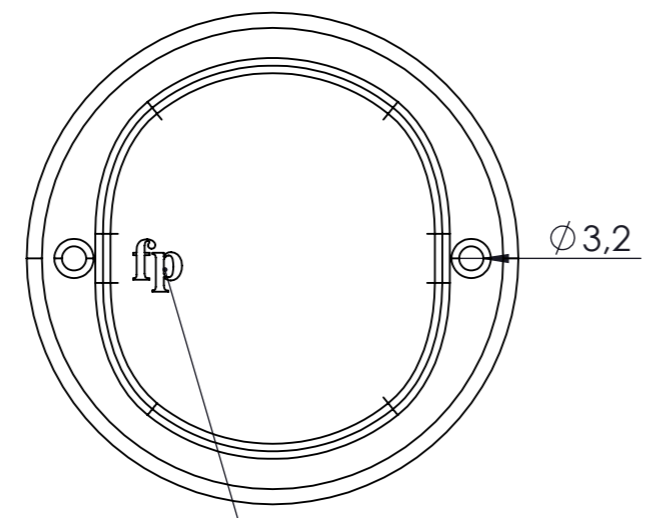
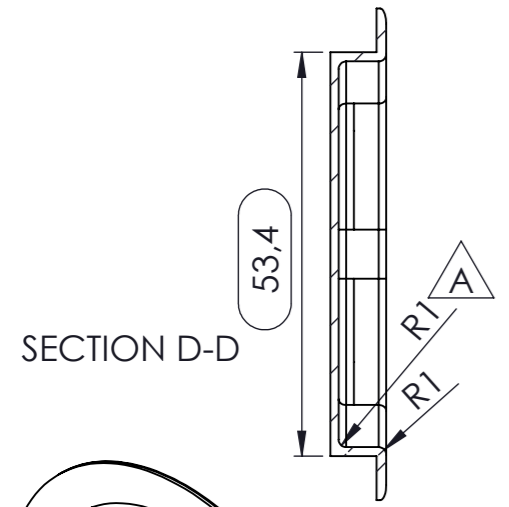
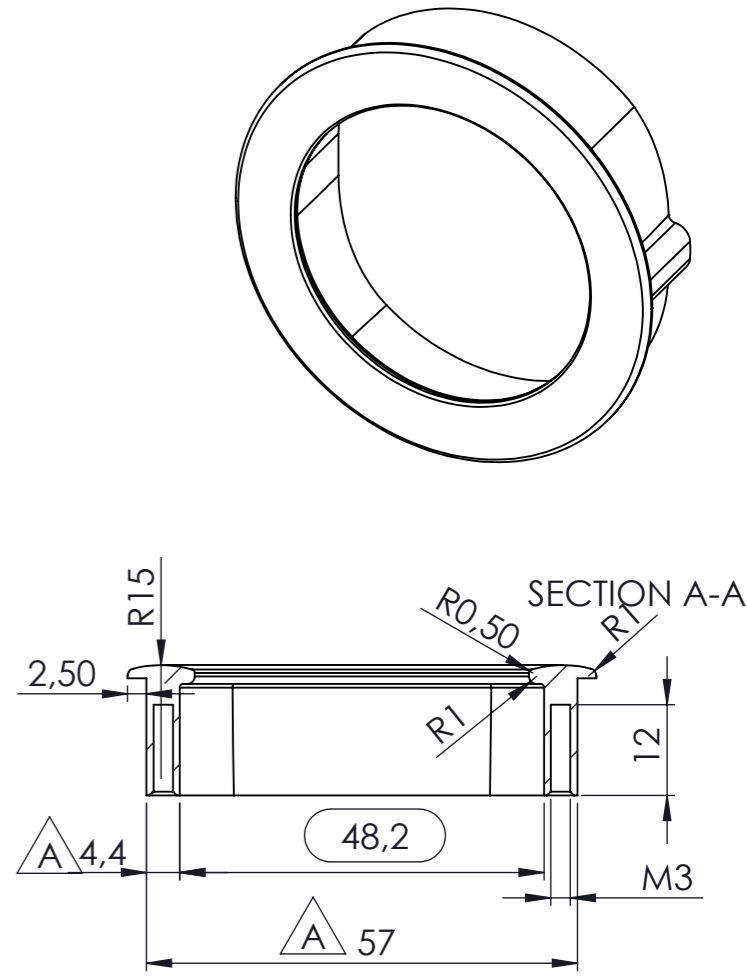
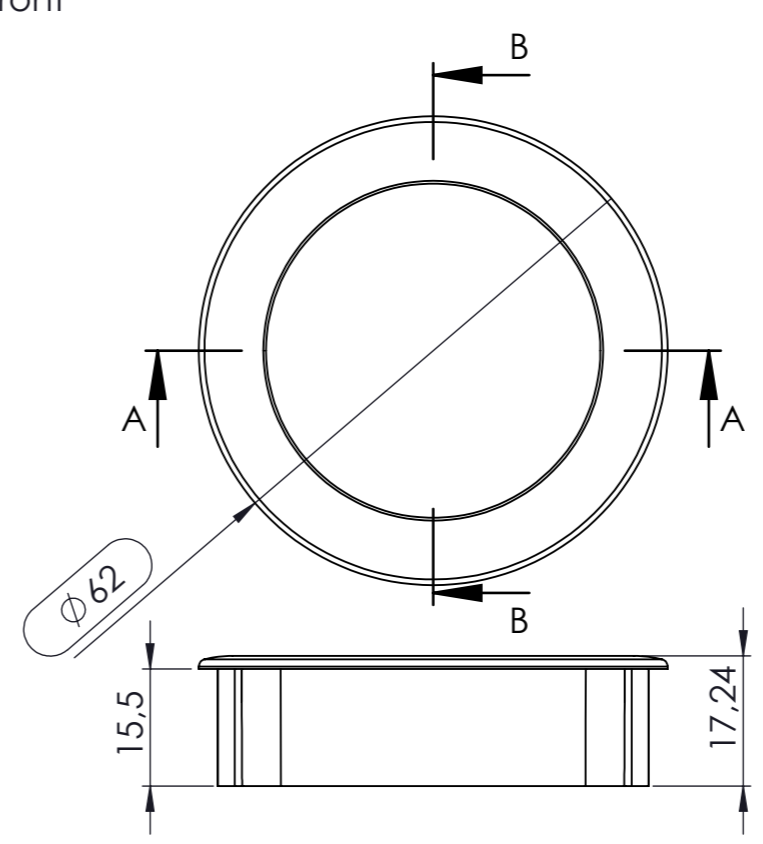
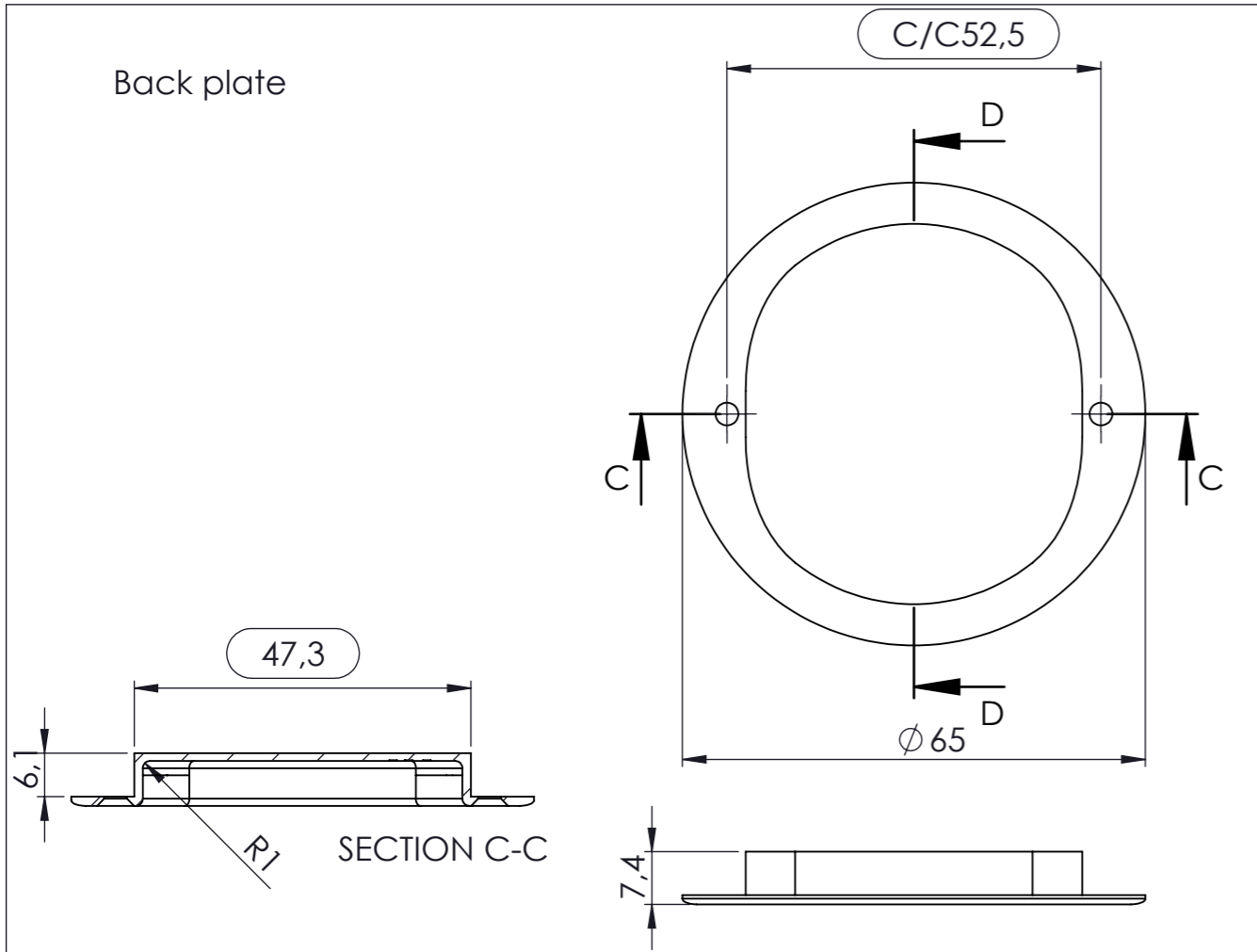


Part name: TUB Round	Projection: 	Sheet format: A3	Tolerance unless otherwise specified DS/ISO 2768-1M																	
Designer: Adam Laws	Drawn by: MCH 05-07-2021	Scale: 1:1	<table border="1"> <tr> <td>Linear dimensions:</td> <td>0-3</td> <td>3-6</td> <td>6-30</td> <td>30-120</td> <td>120-400</td> <td>400-1000</td> <td>1000-</td> </tr> <tr> <td></td> <td>±0,1</td> <td>±0,1</td> <td>±0,2</td> <td>±0,3</td> <td>±0,5</td> <td>±0,8</td> <td>±1,2</td> </tr> </table>		Linear dimensions:	0-3	3-6	6-30	30-120	120-400	400-1000	1000-		±0,1	±0,1	±0,2	±0,3	±0,5	±0,8	±1,2
Linear dimensions:	0-3	3-6	6-30	30-120	120-400	400-1000	1000-													
	±0,1	±0,1	±0,2	±0,3	±0,5	±0,8	±1,2													
Part no.: 552620xxx	Sheet 1 of 2	<table border="1"> <tr> <td>Angle</td> <td>Radius</td> </tr> <tr> <td>±0,5°</td> <td>±5%</td> </tr> </table>		Angle	Radius	±0,5°	±5%													
Angle	Radius																			
±0,5°	±5%																			
Material:	Weight:																			
<table border="1"> <tr> <th>Rev.:</th> <th>Date:</th> <th>Name:</th> <th>Description:</th> </tr> <tr> <td>A</td> <td>21-09-2021</td> <td>MCH</td> <td>Item no. added and geometry changed to fit sample</td> </tr> <tr> <td>B</td> <td>10-11-2021</td> <td>MCH</td> <td>Name added</td> </tr> </table>		Rev.:	Date:	Name:	Description:	A	21-09-2021	MCH	Item no. added and geometry changed to fit sample	B	10-11-2021	MCH	Name added	Delta 2 Phone: +45 87 64 35 00 DK-8382 Hinnerup E-mail: fp@furnipart.com						
Rev.:	Date:	Name:	Description:																	
A	21-09-2021	MCH	Item no. added and geometry changed to fit sample																	
B	10-11-2021	MCH	Name added																	
COPYRIGHT: THIS DRAWING MAY NOT BE COPIED OR REPRODUCED IN ANY WAY WITHOUT DIRECT PERMISSION FROM FURNIPART A/S																				

Back plate

Front



fp logo on the back

Rev.:	Date:	Name:	Description:
A	21-09-2021	MCH	Item no. added and geometry changed to fit sample
B	10-11-2021	MCH	Name added

Part name: TUB Round	Projection: 	Sheet format: A3	Tolerance unless otherwise specified DS/ISO 2768-1M
Designer: Adam Laws	Drawn by: MCH 05-07-2021	Scale: 1:1	Linear dimensions: 0-3 ±0,1 3-6 ±0,1 6-30 ±0,2 30-120 ±0,3 120-400 ±0,5 400-1000 ±0,8 1000-2000 ±1,2
Part no.: 552620xxx	Sheet 2 of 2	Material:	Angle: ±0,5° Radius: ±5%
Material:	Weight:	furnipart®	
		Delta 2 Phone: +45 87 64 35 00 DK-8382 Hinnerup E-mail: fp@furnipart.com	
COPYRIGHT: THIS DRAWING MAY NOT BE COPIED OR REPRODUCED IN ANY WAY WITHOUT DIRECT PERMISSION FROM FURNIPART A/S			