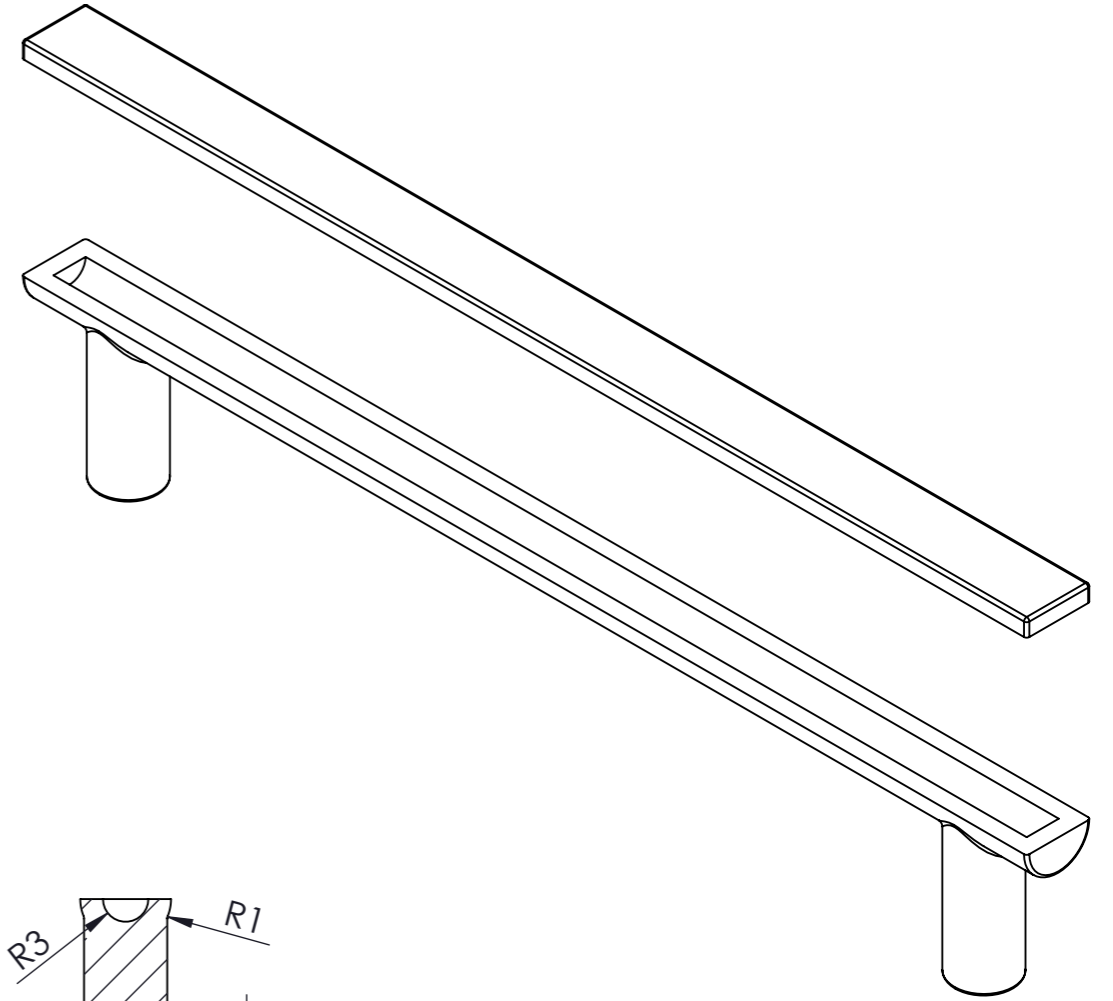
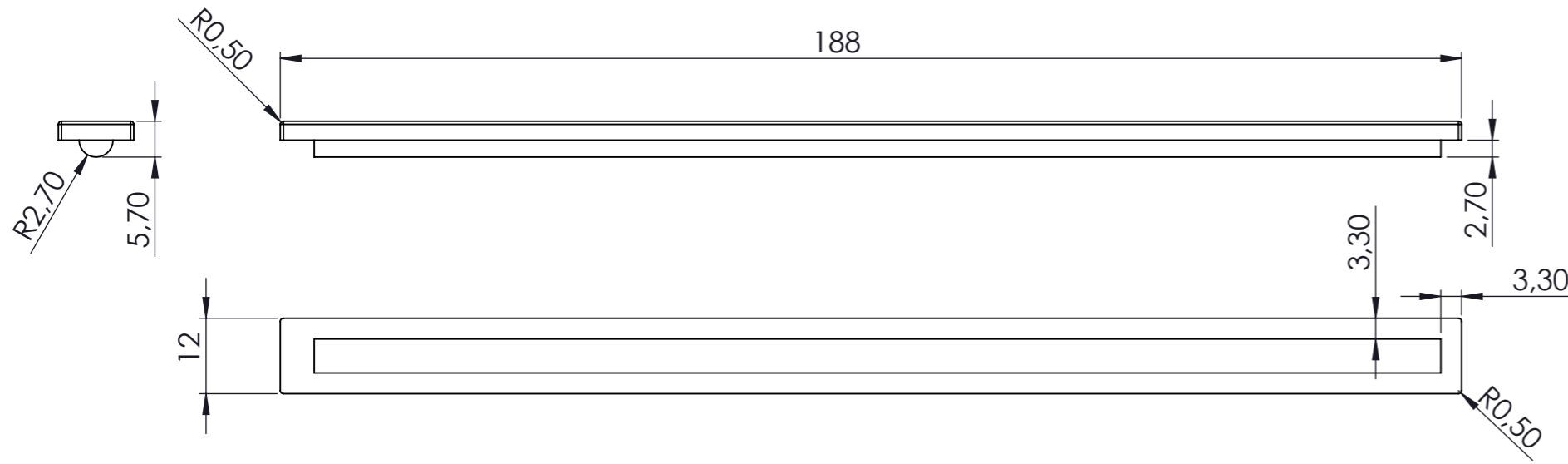
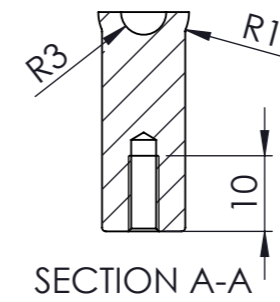
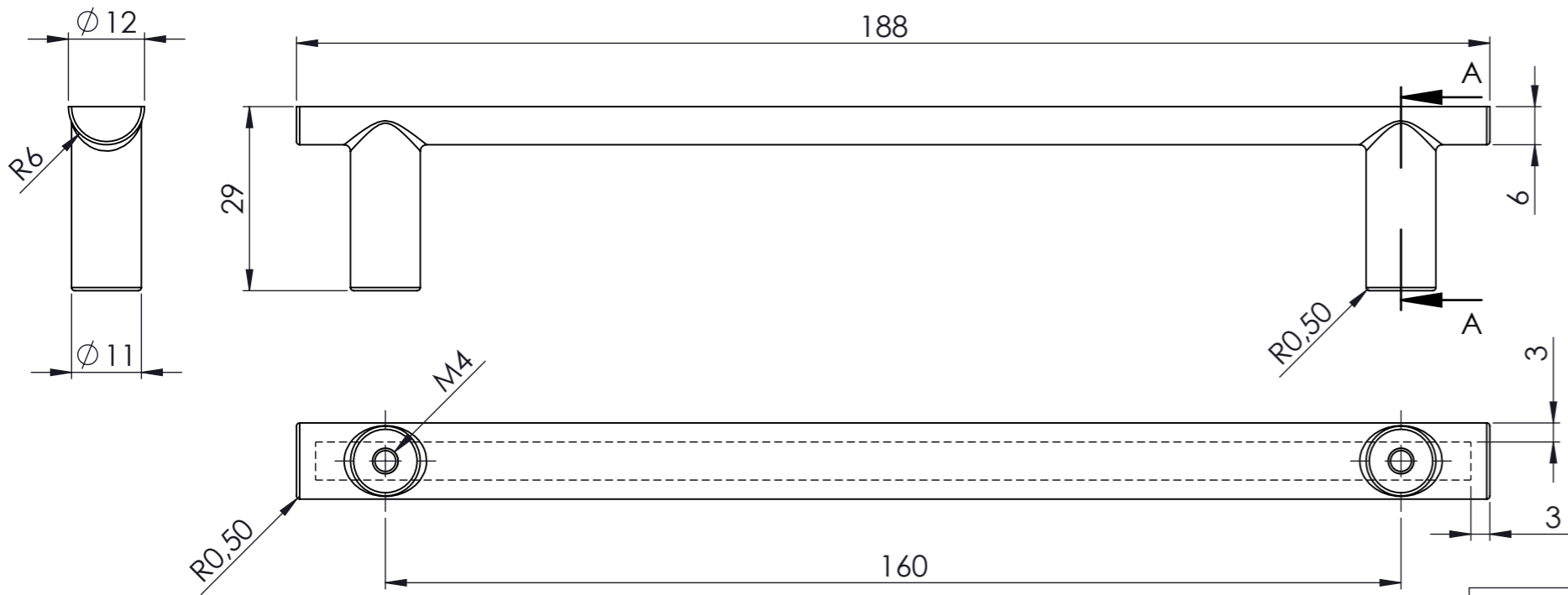


Part name: <b>BIS</b>	Projection: 	Sheet format: <b>A3</b>	Tolerance unless otherwise specified DS/ISO 2768-1M Linear dimensions:														
Designer:	Drawn by: MLR 05-09-2022	Scale: 1:1															
Part no.: <b>554320xxx</b>	Material: Zamac/ Wood/ Marble	Sheet 1 of 2	<table border="1"> <tr> <td>0-3</td><td>3-6</td><td>6-30</td><td>30-120</td><td>120-400</td><td>400-1000</td><td>1000-2000</td> </tr> <tr> <td>±0,1</td><td>±0,1</td><td>±0,2</td><td>±0,3</td><td>±0,5</td><td>±0,8</td><td>±1,2</td> </tr> </table>	0-3	3-6	6-30	30-120	120-400	400-1000	1000-2000	±0,1	±0,1	±0,2	±0,3	±0,5	±0,8	±1,2
0-3	3-6	6-30	30-120	120-400	400-1000	1000-2000											
±0,1	±0,1	±0,2	±0,3	±0,5	±0,8	±1,2											
Rev.:	Date:	Name:	Description:														
A																	
B																	
C																	
D																	
Material: Zamac/ Wood/ Marble			Weight:														
COPYRIGHT: THIS DRAWING MAY NOT BE COPIED OR REPRODUCED IN ANY WAY WITHOUT DIRECT PERMISSION FROM FURNIPART A/S			<table border="1"> <tr> <td>Angle</td><td>Radius</td><td></td><td></td> </tr> <tr> <td>±0,5°</td><td>±5%</td><td></td><td></td> </tr> </table>	Angle	Radius			±0,5°	±5%								
Angle	Radius																
±0,5°	±5%																
			<b>furnipart®</b> Delta 2 Phone: +45 87 64 35 00 DK-8382 Hinnerup E-mail: fp@furnipart.com														

Wood part 104320xxx:



Zamac part:



Part name: <b>BIS</b>	Projection: 	Sheet format: <b>A3</b>	Tolerance unless otherwise specified DS/ISO 2768-1M Linear dimensions:																																						
Designer: Meneghello & Paoelli	Drawn by: MLR 05-09-2022	Scale: 1:1																																							
Part no.: <b>554320xxx</b>	Material: Zamac/ Wood/ Marble	Sheet 2 of 2	Weight:																																						
<table border="1"> <thead> <tr> <th>Rev.:</th> <th>Date:</th> <th>Name:</th> <th>Description:</th> </tr> </thead> <tbody> <tr> <td>A</td> <td></td> <td></td> <td></td> </tr> <tr> <td>B</td> <td></td> <td></td> <td></td> </tr> <tr> <td>C</td> <td></td> <td></td> <td></td> </tr> <tr> <td>D</td> <td></td> <td></td> <td></td> </tr> </tbody> </table>			Rev.:	Date:	Name:	Description:	A				B				C				D				<table border="1"> <thead> <tr> <th>0-3</th> <th>3-6</th> <th>6-30</th> <th>30-120</th> <th>120-400</th> <th>400-1000</th> <th>1000-2000</th> </tr> </thead> <tbody> <tr> <td>±0,1</td> <td>±0,1</td> <td>±0,2</td> <td>±0,3</td> <td>±0,5</td> <td>±0,8</td> <td>±1,2</td> </tr> </tbody> </table> <table border="1"> <thead> <tr> <th>Angle</th> <th>Radius</th> </tr> </thead> <tbody> <tr> <td>±0,5°</td> <td>±5%</td> </tr> </tbody> </table>	0-3	3-6	6-30	30-120	120-400	400-1000	1000-2000	±0,1	±0,1	±0,2	±0,3	±0,5	±0,8	±1,2	Angle	Radius	±0,5°	±5%
Rev.:	Date:	Name:	Description:																																						
A																																									
B																																									
C																																									
D																																									
0-3	3-6	6-30	30-120	120-400	400-1000	1000-2000																																			
±0,1	±0,1	±0,2	±0,3	±0,5	±0,8	±1,2																																			
Angle	Radius																																								
±0,5°	±5%																																								
<p><b>furnipart</b><sup>®</sup></p> <p>Delta 2 Phone: +45 87 64 35 00 DK-8382 Hinnerup E-mail: fp@furnipart.com</p>			<p>COPYRIGHT: THIS DRAWING MAY NOT BE COPIED OR REPRODUCED IN ANY WAY WITHOUT DIRECT PERMISSION FROM FURNIPART A/S</p>																																						