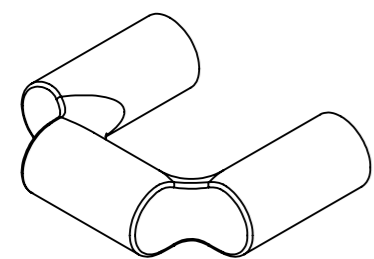
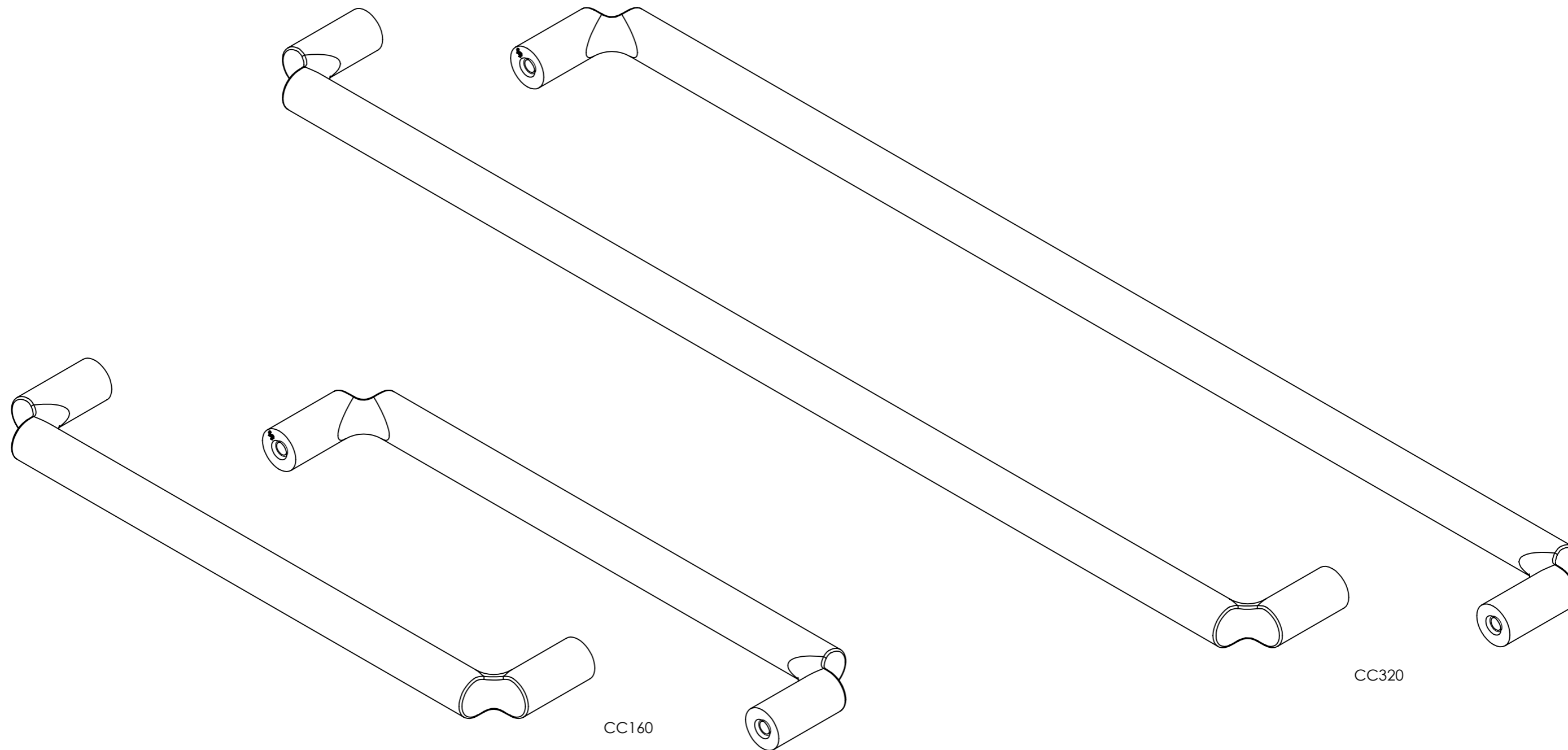


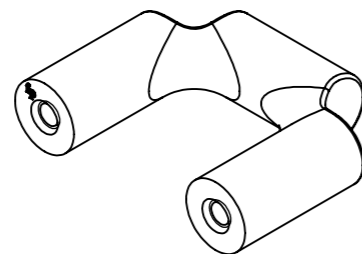
Part name: BREAK	Projection: 	Sheet format: A3	Tolerance unless otherwise specified DS/ISO 2768-1M Linear dimensions: 0-3: ±0,1 3-6: ±0,1 6-30: ±0,2 30-120: ±0,3 120-400: ±0,5 400-1000: ±0,8 1000-2000: ±1,2 Angle: ±0,5° Radius: ±5%
	Sheet: 1 of 2	Scale: 1:1	
Designer: Meneghello Paoelli	Drawn by: MLR 11-09-2023	Weight:	 Delta 2 DK-8382 Hinnerup Phone: +45 87 64 35 00 E-mail: fp@furnipart.com Requirements confer PS-001 Technical Specifications
Item no.: 556720xxx	Finish requirements (PS-004) [A] = Most important surface [B] = Important surface [C] = Less important surface		
Material: Zamac			
COPYRIGHT: THIS DRAWING MAY NOT BE COPIED OR REPRODUCED IN ANY WAY WITHOUT DIRECT PERMISSION FROM FURNIPART A/S			

Item no.	Length	CC
556720032	43	32
556720160	171	160
556720320	331	320

Rev.:	Date:	Name:	Description:



CC32



CC160

CC320

Item no.	Length	CC
556720032	43	32
556720160	171	160
556720320	331	320

Rev.:	Date:	Name:	Description:

Part name: BREAK	Projection: 	Sheet format: A3	Tolerance unless otherwise specified DS/ISO 2768-1M Linear dimensions: <table border="1"><tr><td>0-3</td><td>3-6</td><td>6-30</td><td>30-120</td><td>120-400</td><td>400-1000</td><td>1000-2000</td></tr><tr><td>±0,1</td><td>±0,1</td><td>±0,2</td><td>±0,3</td><td>±0,5</td><td>±0,8</td><td>±1,2</td></tr></table> Angle: ±0,5° Radius: ±5%	0-3	3-6	6-30	30-120	120-400	400-1000	1000-2000	±0,1	±0,1	±0,2	±0,3	±0,5	±0,8	±1,2
	0-3	3-6		6-30	30-120	120-400	400-1000	1000-2000									
±0,1	±0,1	±0,2	±0,3	±0,5	±0,8	±1,2											
Designer: Meneghello Paoelli	Drawn by: MLR 11-09-2023	Scale: 1:1	 Delta 2 Phone: +45 87 64 35 00 DK-8382 Hinnerup E-mail: fp@furnipart.com Requirements confer PS-001 Technical Specifications														
Item no.: 556720xxx	Material: Zamac	Weight:		Finish requirements (PS-004) <table border="0"> <tr> <td>A</td> <td>= Most important surface</td> </tr> <tr> <td>B</td> <td>= Important surface</td> </tr> <tr> <td>C</td> <td>= Less important surface</td> </tr> </table>	A	= Most important surface	B	= Important surface	C	= Less important surface							
A	= Most important surface																
B	= Important surface																
C	= Less important surface																
COPYRIGHT: THIS DRAWING MAY NOT BE COPIED OR REPRODUCED IN ANY WAY WITHOUT DIRECT PERMISSION FROM FURNIPART A/S																	