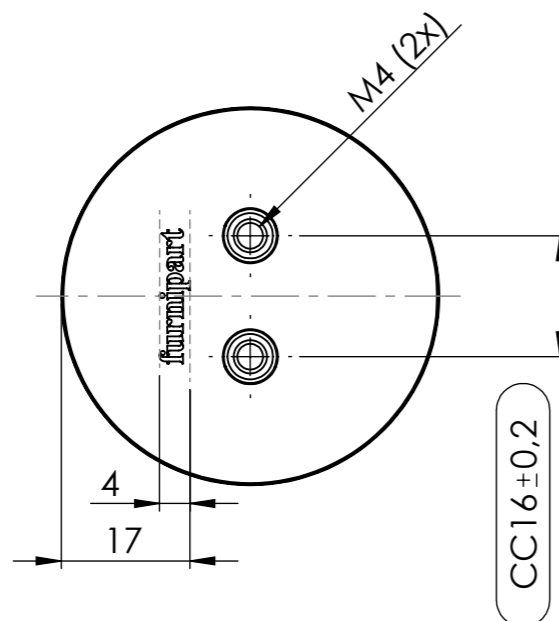
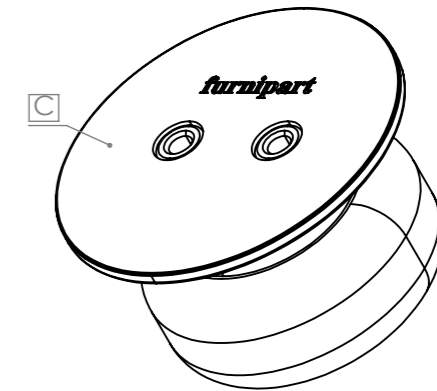
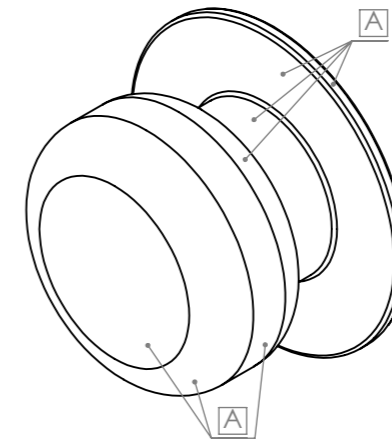


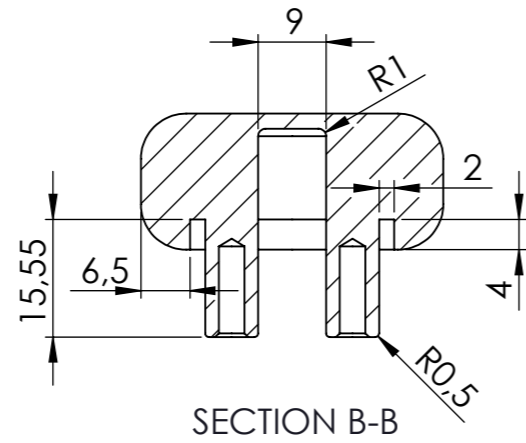
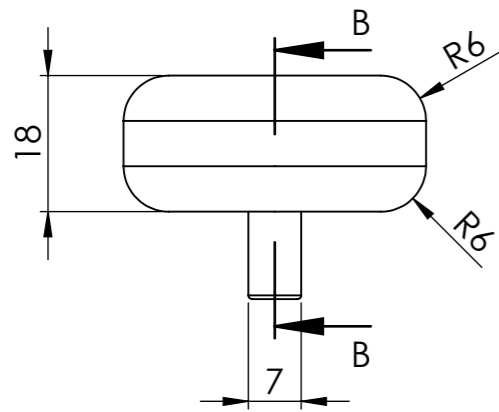
SECTION A-A



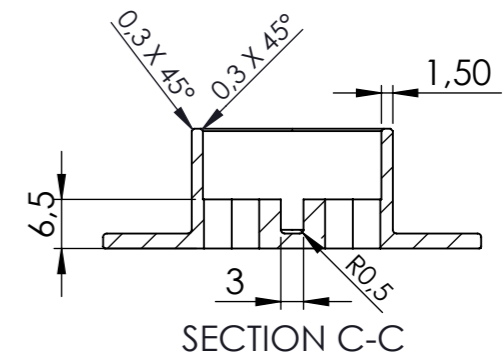
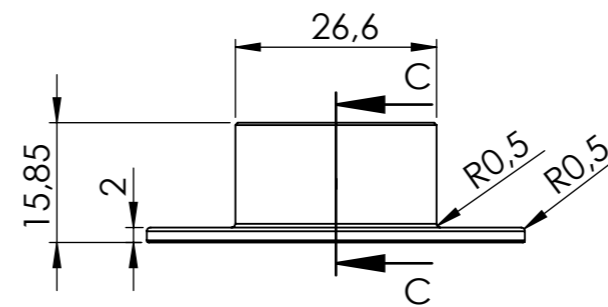
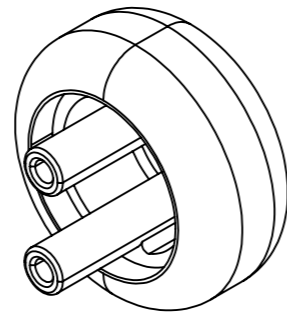
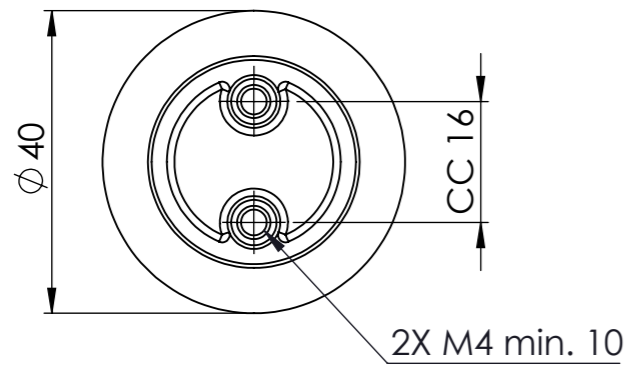
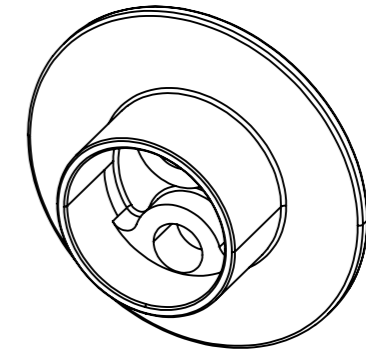
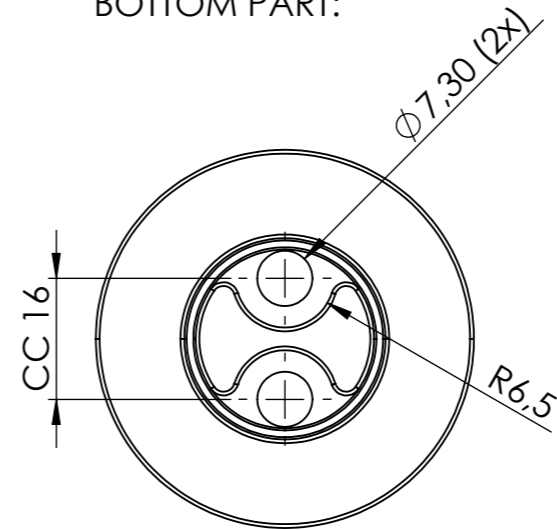
Rev.:	Date:	Name:	Description:

Part name: COLETTE Knob	Projection: 	Sheet format: A3	Tolerance unless otherwise specified DS/ISO 2768-1M Linear dimensions: 0-3 3-6 6-30 30-120 120-400 400-1000 1000-2000 ±0,1 ±0,1 ±0,2 ±0,3 ±0,5 ±0,8 ±1,2 Angle: ±0,5° Radius: ±5%
	Sheet: 1 of 2	Scale: 1:1	
Designer: VE2	Drawn by: MLR 12-10-2023	Weight:	 Delta 2 Phone: +45 87 64 35 00 DK-8382 Hinnerup E-mail: fp@furnipart.com Requirements confer PS-001 Technical Specifications
Item no.: 557720050	Finish requirements (PS-004) [A] = Most important surface [B] = Important surface [C] = Less important surface		
Material: Zamac	COPYRIGHT: THIS DRAWING MAY NOT BE COPIED OR REPRODUCED IN ANY WAY WITHOUT DIRECT PERMISSION FROM FURNIPART A/S		

TOP PART:



BOTTOM PART:



Rev.:	Date:	Name:	Description:

Part name: COLETTE Knob	Projection: 	Sheet format: A3	Tolerance unless otherwise specified DS/ISO 2768-1M Linear dimensions: <table border="1"><tr><td>0-3</td><td>3-6</td><td>6-30</td><td>30-120</td><td>120-400</td><td>400-1000</td><td>1000-2000</td></tr><tr><td>±0,1</td><td>±0,1</td><td>±0,2</td><td>±0,3</td><td>±0,5</td><td>±0,8</td><td>±1,2</td></tr></table> Angle: ±0,5° Radius: ±5%	0-3	3-6	6-30	30-120	120-400	400-1000	1000-2000	±0,1	±0,1	±0,2	±0,3	±0,5	±0,8	±1,2
	0-3	3-6		6-30	30-120	120-400	400-1000	1000-2000									
±0,1	±0,1	±0,2	±0,3	±0,5	±0,8	±1,2											
Designer: VE2	Drawn by: MLR 12-10-2023	Scale: 1:1	furnipart [®] Delta 2 Phone: +45 87 64 35 00 DK-8382 Hinnerup E-mail: fp@furnipart.com														
Item no.: 557720050	Material: Zamac	Weight:															
Finish requirements (PS-004) [A] = Most important surface [B] = Important surface [C] = Less important surface			Requirements confer PS-001 Technical Specifications														
COPYRIGHT: THIS DRAWING MAY NOT BE COPIED OR REPRODUCED IN ANY WAY WITHOUT DIRECT PERMISSION FROM FURNIPART A/S																	