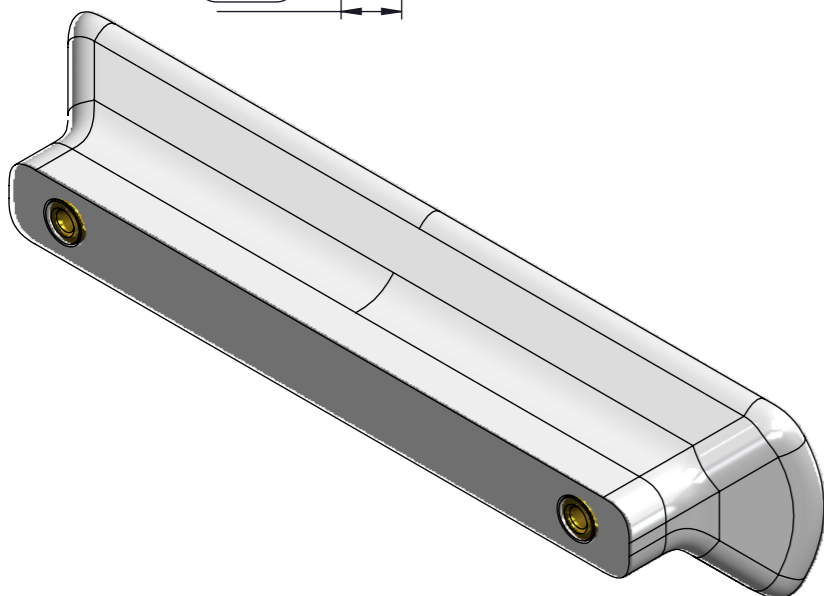
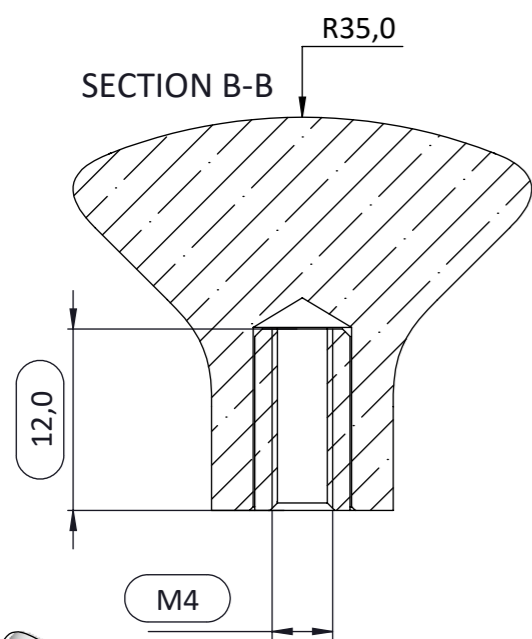
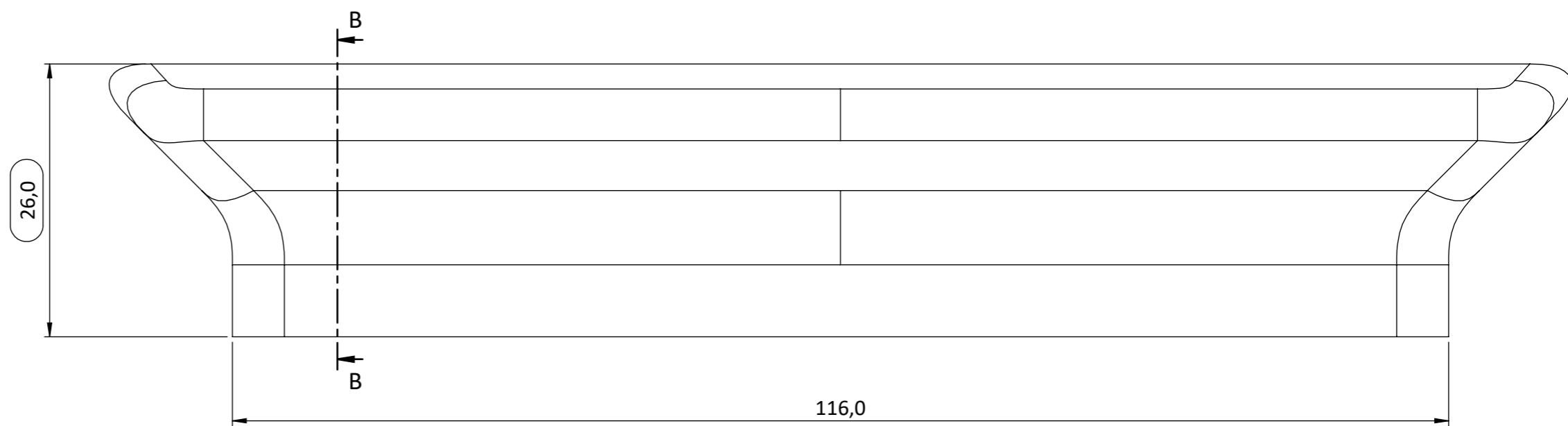
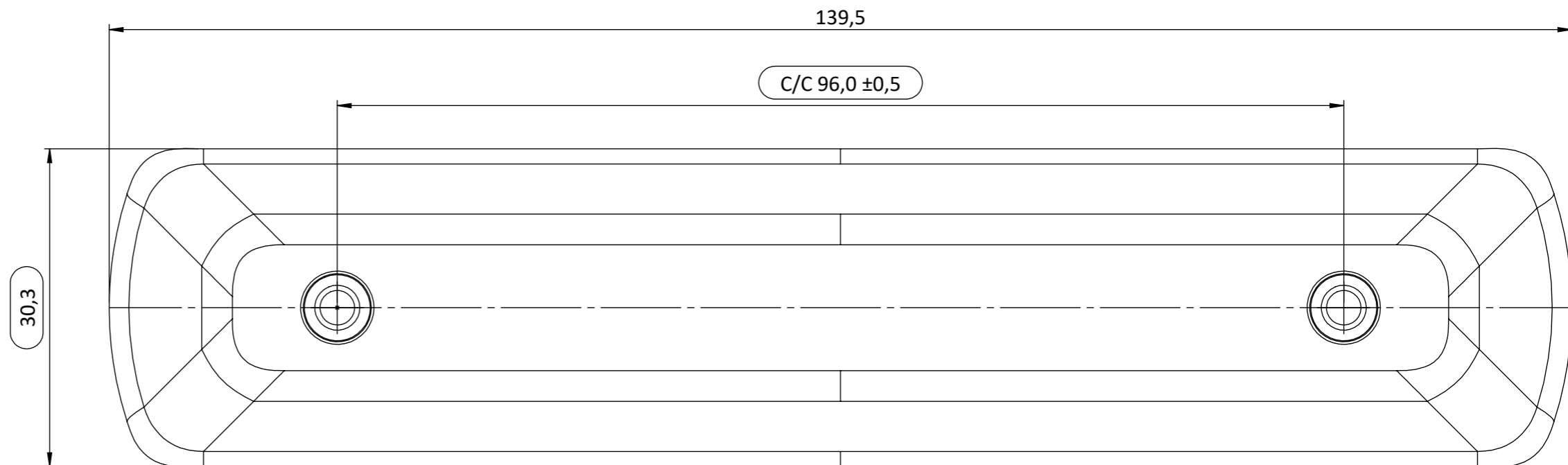


| Rev.: | Date: | Name: | Description: |
|-------|-------|-------|--------------|
| -- | --- | --- | --- |
| -- | --- | --- | --- |
| -- | --- | --- | --- |
| -- | --- | --- | --- |

| Part name: VANILLA | Projection: | Sheet format: A3 | Tolerance unless otherwise specified DS/ISO 2768-1M Linear dimensions: | | | | | | | | | | | | | | |
|---|-------------------------|---|---|---------|----------|-----------|--------|---------|----------|-----------|------|------|------|------|------|------|------|
| Customer: xxx | Drawn by: IBL | Scale: 2:1 | | | | | | | | | | | | | | | |
| Part no.: 601201XXX | Sheet 1 of 2 | <table border="1"> <thead> <tr> <th>0-3</th> <th>3-6</th> <th>6-30</th> <th>30-120</th> <th>120-400</th> <th>400-1000</th> <th>1000-2000</th> </tr> </thead> <tbody> <tr> <td>±0,1</td> <td>±0,1</td> <td>±0,2</td> <td>±0,3</td> <td>±0,5</td> <td>±0,8</td> <td>±1,2</td> </tr> </tbody> </table> | | 0-3 | 3-6 | 6-30 | 30-120 | 120-400 | 400-1000 | 1000-2000 | ±0,1 | ±0,1 | ±0,2 | ±0,3 | ±0,5 | ±0,8 | ±1,2 |
| 0-3 | 3-6 | 6-30 | 30-120 | 120-400 | 400-1000 | 1000-2000 | | | | | | | | | | | |
| ±0,1 | ±0,1 | ±0,2 | ±0,3 | ±0,5 | ±0,8 | ±1,2 | | | | | | | | | | | |
| Material: Porcelain | Weight: 46.15 | <table border="1"> <thead> <tr> <th>Angle</th> <th>Radius</th> </tr> </thead> <tbody> <tr> <td>±0,5°</td> <td>±5%</td> </tr> </tbody> </table> | | Angle | Radius | ±0,5° | ±5% | | | | | | | | | | |
| Angle | Radius | | | | | | | | | | | | | | | | |
| ±0,5° | ±5% | | | | | | | | | | | | | | | | |
| | | | | | | | | | | | | | | | | | |
| Delta 2 Phone: +45 87 64 35 00 DK-8382 Hinnerup E-mail: fp@furnipart.com | | | | | | | | | | | | | | | | | |
| COPYRIGHT: THIS DRAWING MAY NOT BE COPIED OR REPRODUCED IN ANY WAY WITHOUT DIRECT PERMISSION FROM FURNIPART A/S | | | | | | | | | | | | | | | | | |



| Rev.: | Date: | Name: | Description: |
|-------|-------|-------|--------------|
| -- | --- | --- | --- |
| -- | --- | --- | --- |
| -- | --- | --- | --- |
| -- | --- | --- | --- |

| | | | |
|---|-------------------------------|----------------------------|--|
| Part name: VANILLA | Projection: | Sheet format: A3 | Tolerance unless otherwise specified DS/ISO 2768-1M Linear dimensions: 0-3 ±0,1 3-6 ±0,1 6-30 ±0,2 30-120 ±0,3 120-400 ±0,5 400-1000 ±0,8 1000-2000 ±1,2 |
| Customer: XXX | Drawn by: IBL | Scale: 2:1 | |
| Part no.: 601201XXX | Material: Porcelain | Sheet 2 of 2 | Angle: ±0,5° Radius: ±5% |
| | | Weight: 155.70 | furnipart® Delta 2 Phone: +45 87 64 35 00 DK-8382 Hinnerup E-mail: fp@furnipart.com |
| COPYRIGHT: THIS DRAWING MAY NOT BE COPIED OR REPRODUCED IN ANY WAY WITHOUT DIRECT PERMISSION FROM FURNIPART A/S | | | |