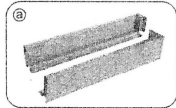
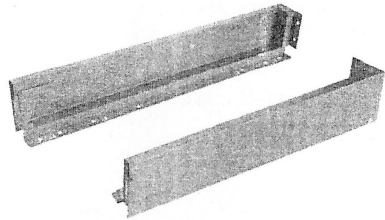
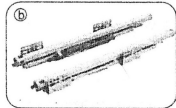


Slim Box Installation Instruction

88mm



Slim box sides



Drawer box slide

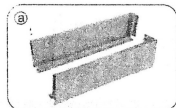
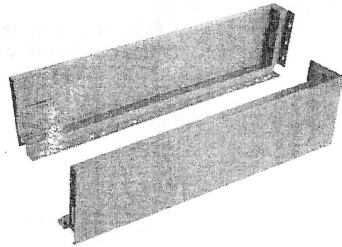


Front connector

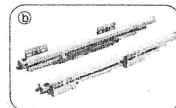


Cover cap

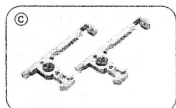
121mm



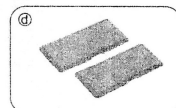
Slim box sides



Drawer box slide

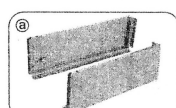
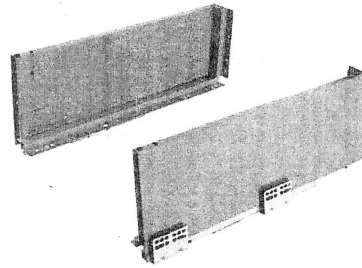


Front connector

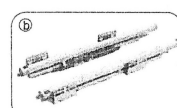


Cover cap

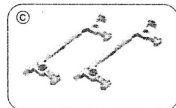
171mm



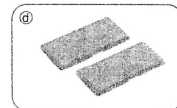
Slim box sides



Drawer box slide

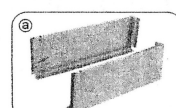
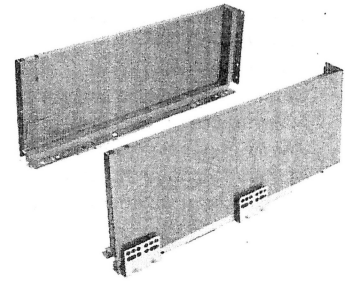


Front connector

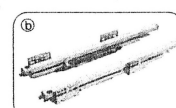


Cover cap

202mm



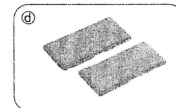
Slim box sides



Drawer box slide



Front connector



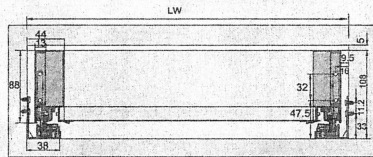
Cover cap

LW=Cabinet inner width

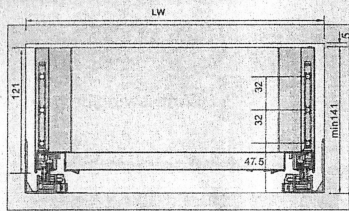
LT=Cabinet inner depth

NL=Nominal slide length

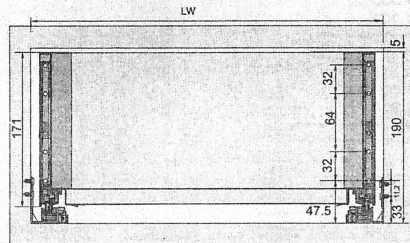
88mm



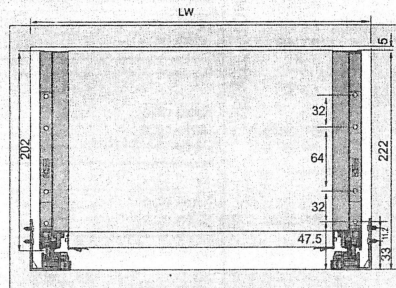
121mm



171mm

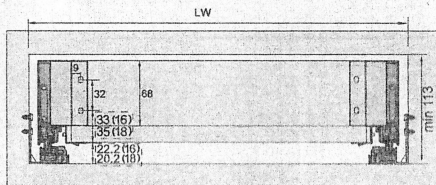


202mm

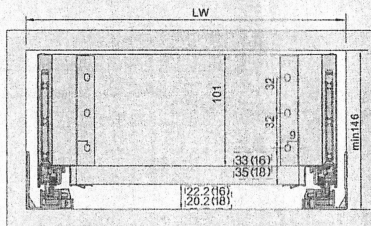


Drawer front installation dimensions

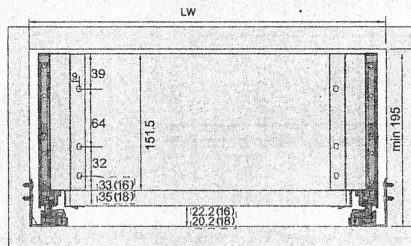
88mm



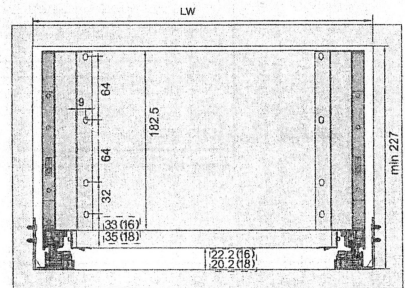
121mm



171mm



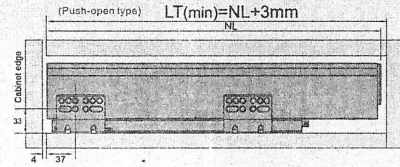
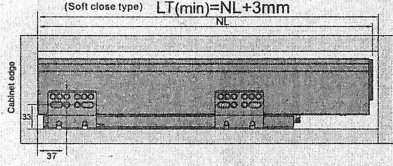
202mm



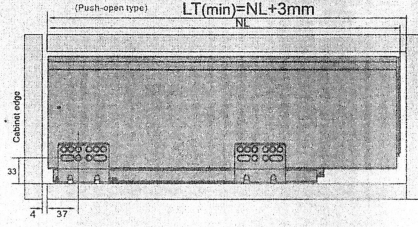
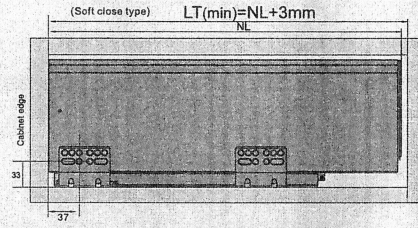
Drawer back installation dimensions

Standard drawer

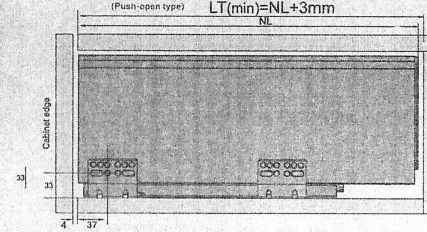
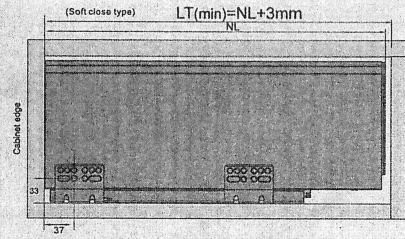
88mm



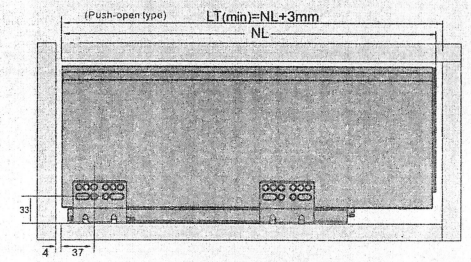
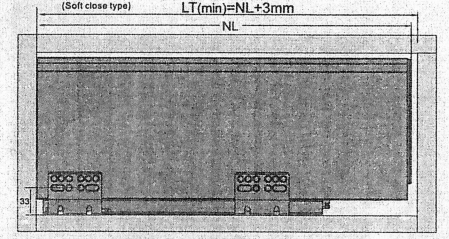
121mm



171mm

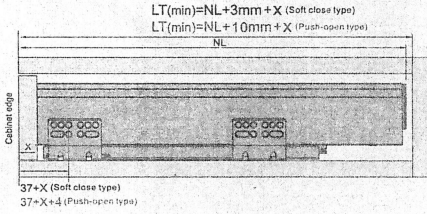


202mm

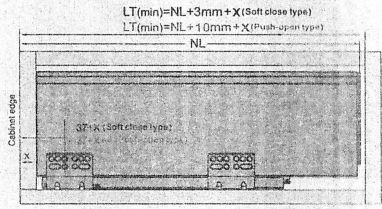


Built-in drawer

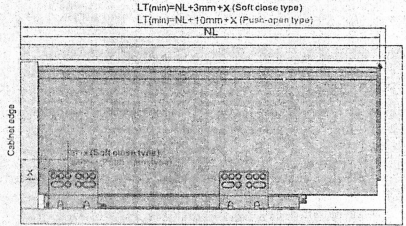
88mm



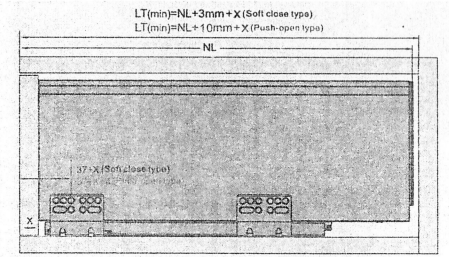
121mm



171mm

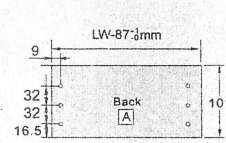
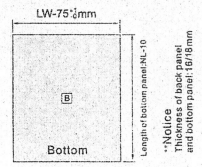
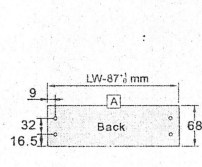


202mm

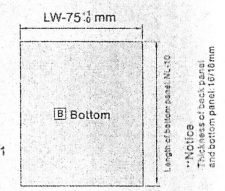


Back & Bottom panel

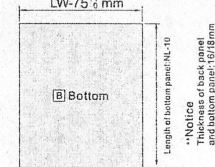
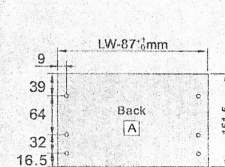
88mm



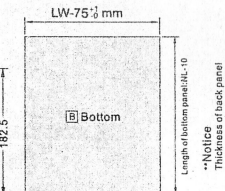
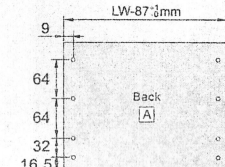
121mm



171mm



202mm



Length of bottom panel: NL-10
 **Notice
 Thickness of back panel
 and bottom panel: 16/18mm

Length of bottom panel: NL-10
 **Notice
 Thickness of back panel
 and bottom panel: 16/18mm

Slim Box Installation Instruction

Product features:

Slim Box

Loading weight:40-50kgs

Size:270mm-700mm

Installation:free of tools,quick installing & disassembling of drawer

Color options:white/grey(or customized)

Material:cold-rolled steel/galvanized steel sheet

Range of panel adjustment:Up and down:0-4mm,Left and right:0-3mm

Application:cabinet,indoor furniture,office furniture,etc..

Packing:1set/box,6sets/carton

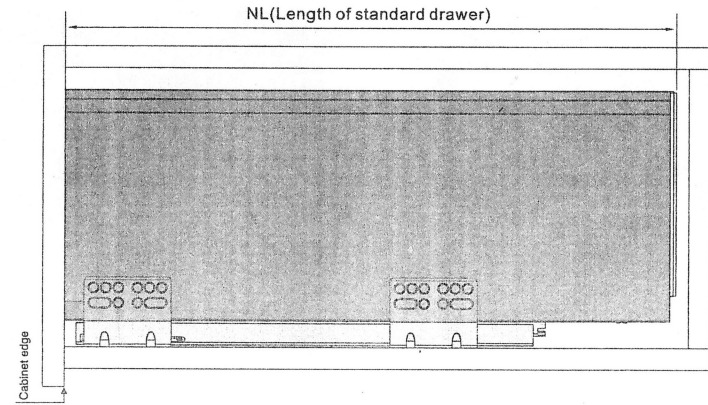
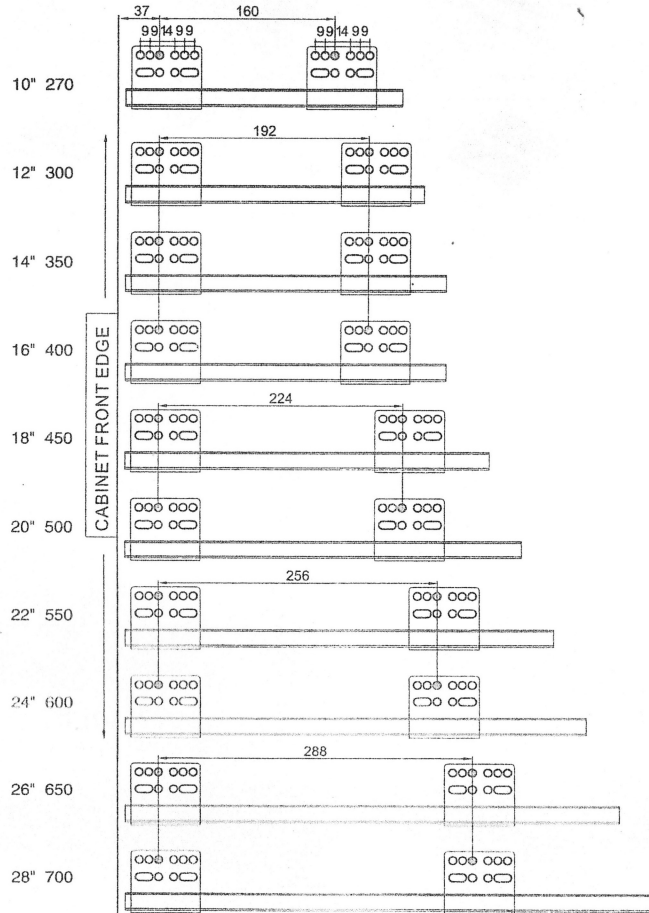
Installation Illustration:

Front panel installation

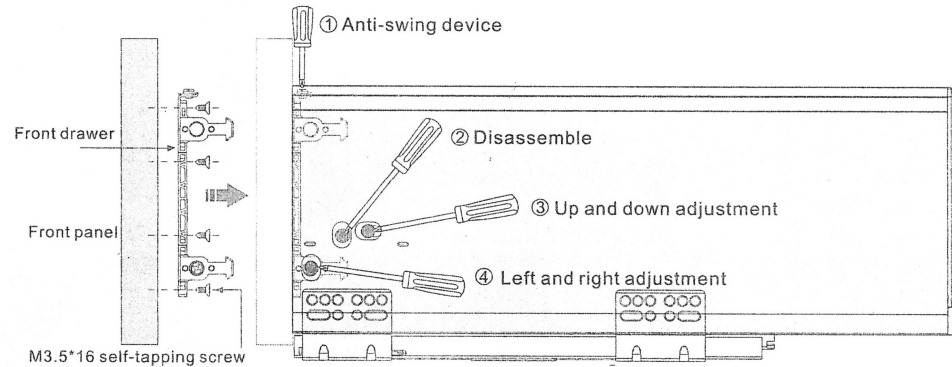
Drawer connetors are fixed to the front panel with self-tapping screw M3.5*16, and then make the front panel insert to the drawer box side.

Disassemble the front panel by turning the locking & disassembling screw clockwise.

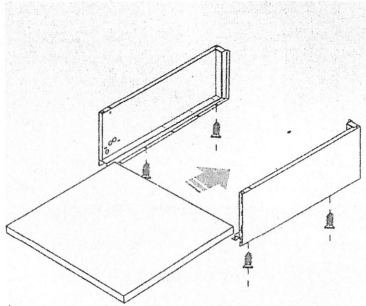
Slide installation dimensions



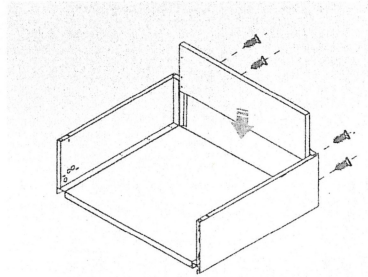
SIZE	10"	12"	14"	16"	18"	20"	22"	24"	26"	28"
NL	270	300	350	400	450	500	550	600	650	700



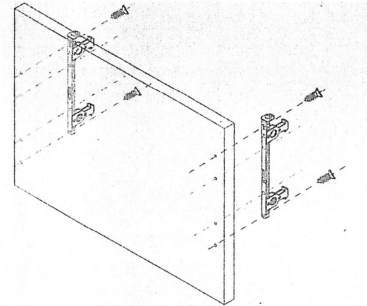
Bottom panel installation



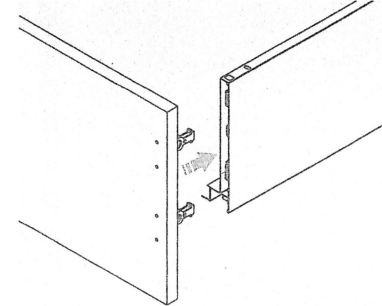
Back panel installation



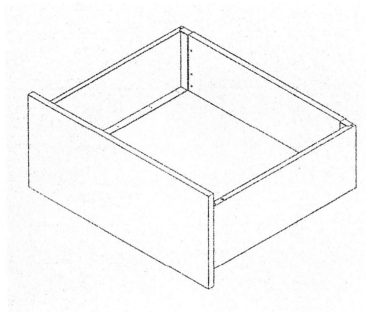
Front connector fixed on front panel



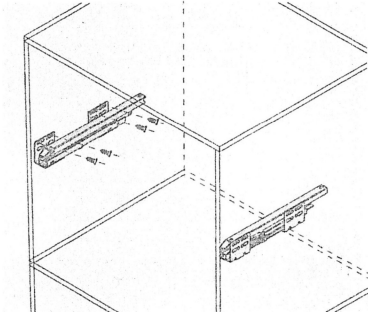
Front panel connected with side panel by connector



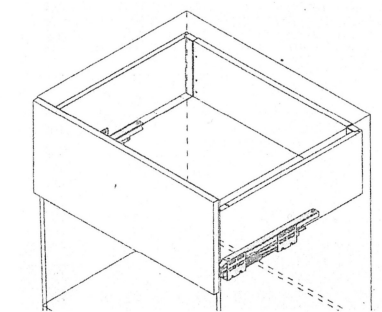
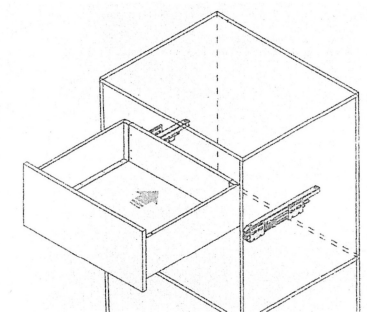
Drawer installed



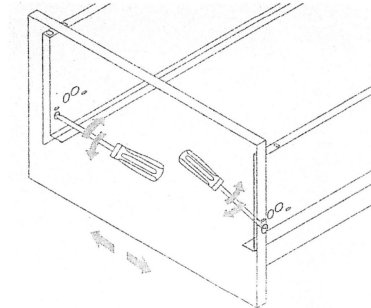
Slide installation



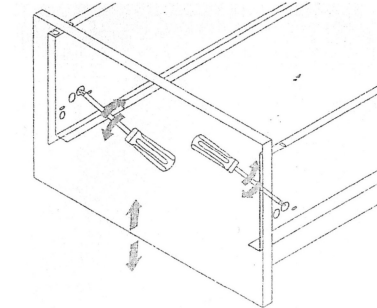
Drawer connected with slide



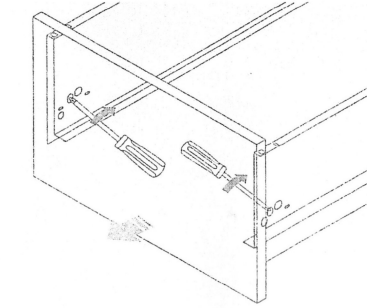
Left and right adjustment of front panel: $\pm 1.5\text{mm}$



UP and down adjustment of front panel: $\pm 2\text{mm}$



Disassembly of front panel



Anti-swing device

